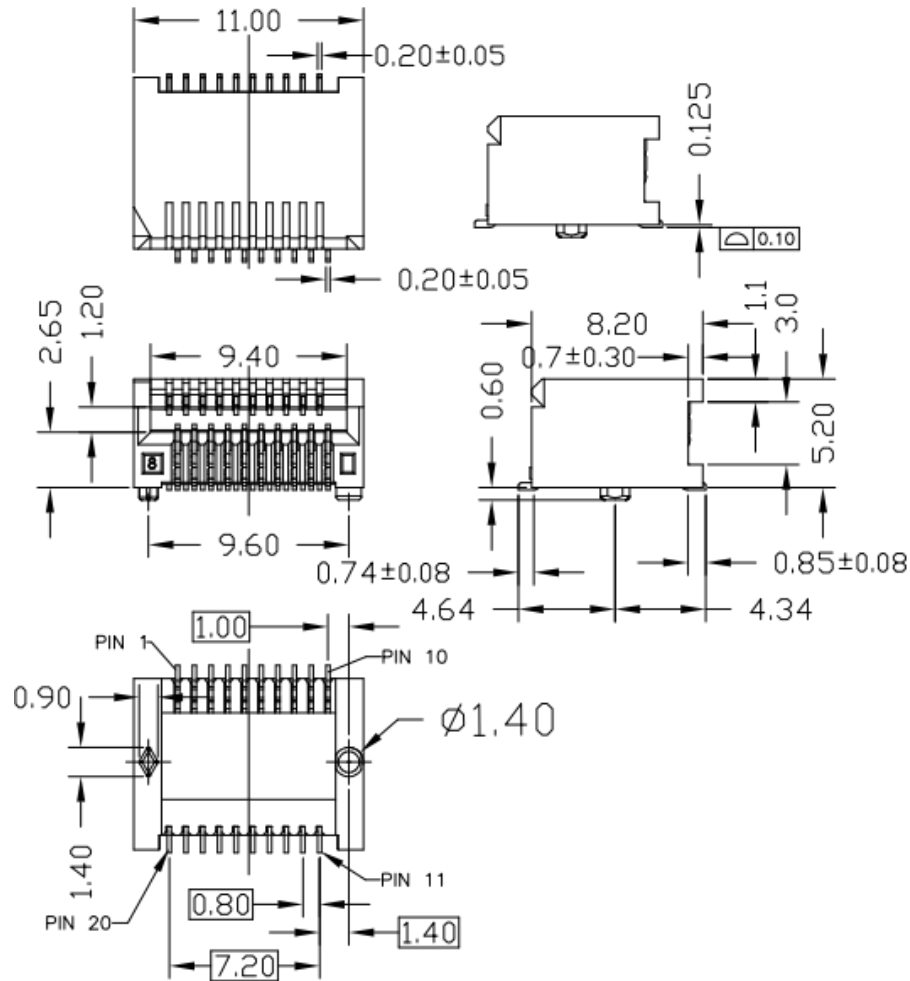


MECHANICAL DIMENSION



NOTES:

1. MATERIAL
HOUSING: HIGH TEMPERATURE LCP, Black, UL94 V-0.
2. CONTACTS: PHOSPHOR BRONZE
PLATING :15μ" GOLD ON MATING AREA,
GOLD FLASH PLATING ON
SOLDER TAILS, 50μ" NICKEL
UNDERPLATING OVERALL.
3. MECHANICAL REQUIREMENT:
3.1 DURABILITY:100 CYCLES MIN.
3.2 INSERTION AND EXTRACTION FORCE:40N MAX. & 11.5N MAX.
4. ENVIRONMENTAL:
4.1 CONTACT RESISTANCE:20 MILLIOHMS MAX INITIAL.
4.2 DIELECTRIC WITHSTANDING VOLTAGE: 300V AC/MIN.
4.3 CURRENT RATING: 0.5 Amps Max.
4.4 OPERATION: -40°C TO +95°C
4.5 STORAGE: -55°C TO +105°C
4.6 REFLOW SOLDERING TEMPERATURE: 255~265° MAXIMUM
FOR 5~10 SECONDS.
4.9 ROHS COMPLIANT
5. PACKAGING: TAPE AND REEL

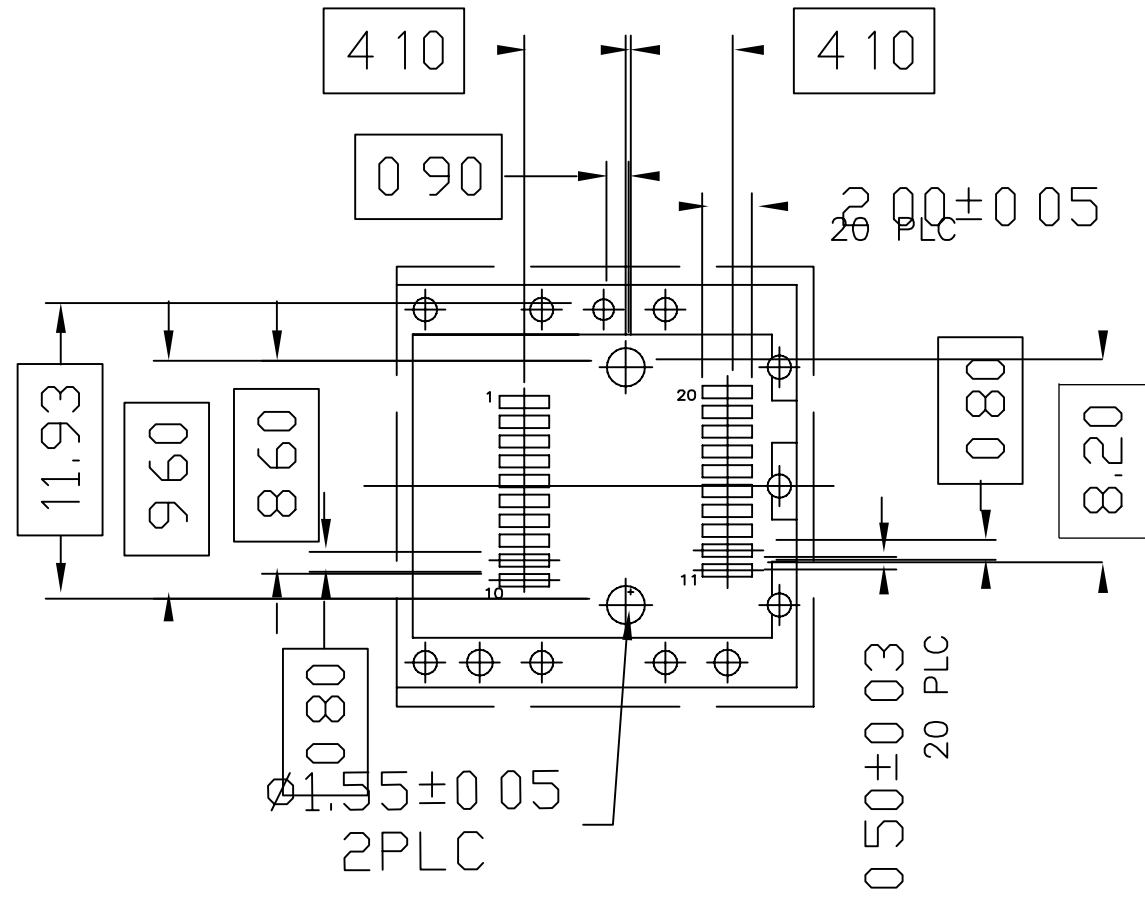
RoHS



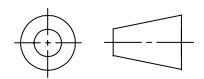
THIRD ANGLE PROJECTION		I	
		深圳磁联达电子有限公司 CND-TEK Shen zhen cnd-tek Electronics Co., Ltd Web: http://www.cd-tek.com	
DO NOT SCALE DRAWING		TITLE	
DRAWING IS SUBJECT TO CHANGE WITHOUT NOTICE		SFP+连接器	
DIMENSIONS: mm(INCH)		PART NO: G72SK210C01	DRN BY: TONY DATE: 12-10-08
.X±0.20 .XXX±0.10		Product: PCB JACK RJ45 RJ11 USB CONNECTOR SFP CONNECTOR TRANSFORMER	APPD BY: JIM DATE: 12-10-08
SHEET NO. 1 OF 4			DWG NO: SFP2C21 REV: A10

B

A



THIRD ANGLE PROJECTION



CND-TEK 深圳磁联达电子有限公司
 Shen zhen cnd-tek Electronics Co., Ltd
 Web: <http://www.cd-tek.com>

DO NOT SCALE DRAWING
 DRAWING IS SUBJECT TO CHANGE WITHOUT NOTICE

TITLE
 SFP+连接器

DIMENSIONS: mm(INCH)
 .XX±0.15 .XXX±0.10

PART NO: G72SK210C01

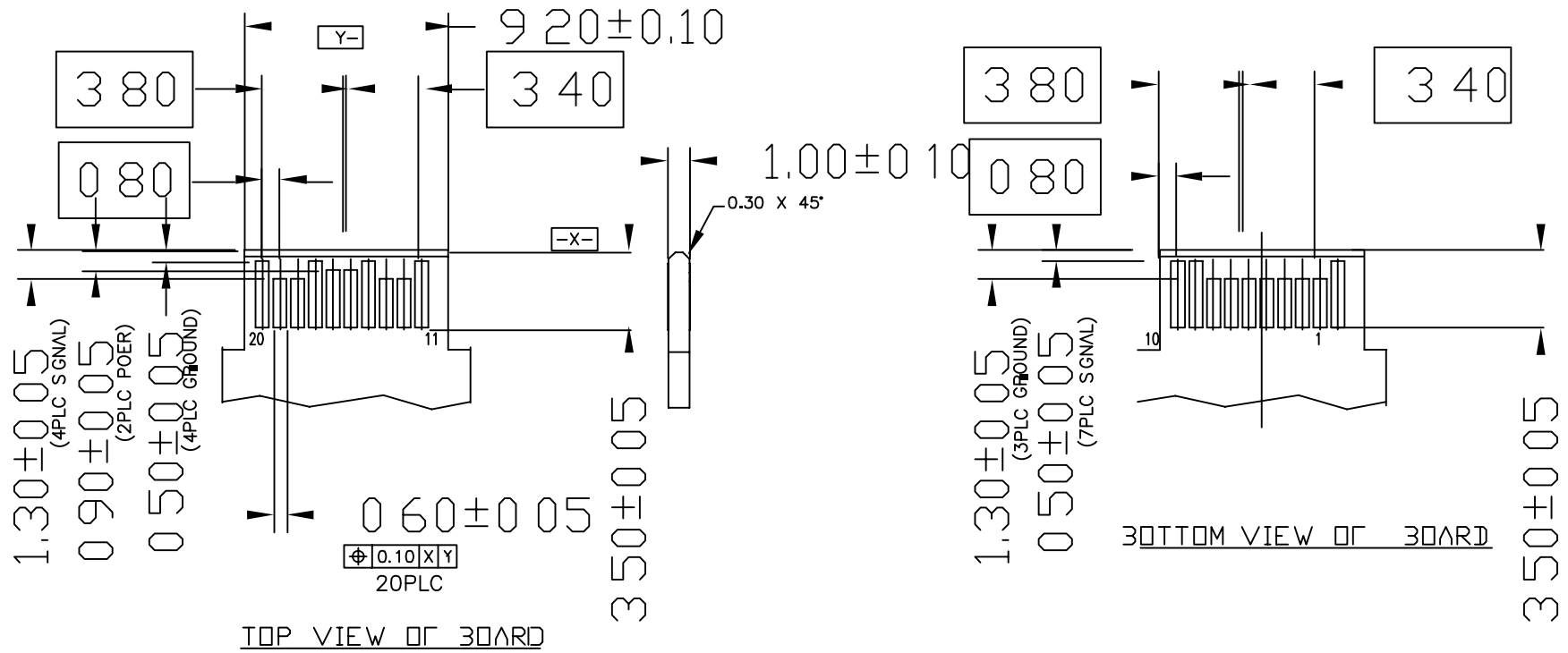
DRN BY: TONY DATE: 12-10-08

SHEET NO. 2 OF 4

Product: PCB JACK RJ45 RJ11 USB
 CONNECTOR SFP CONNECTOR TRANSFORMER

APPD BY: JIM DATE: 12-10-08
 DWG NO: SFP2C21 REV: A10





TOP VIEW OF BOARD

BOTTOM VIEW OF BOARD

RECOMMENDED LAYOUT DETAIL MATING TRANSFORMER PCB

B

A

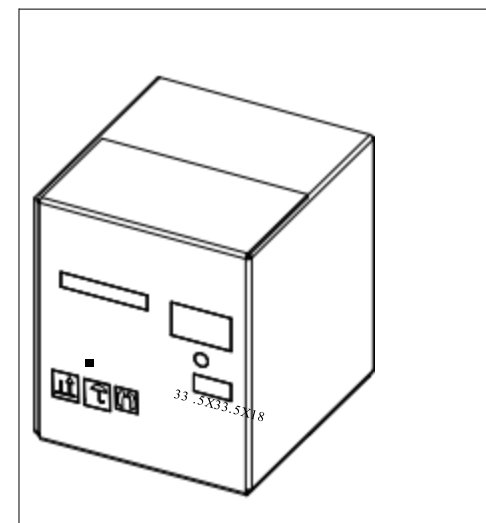
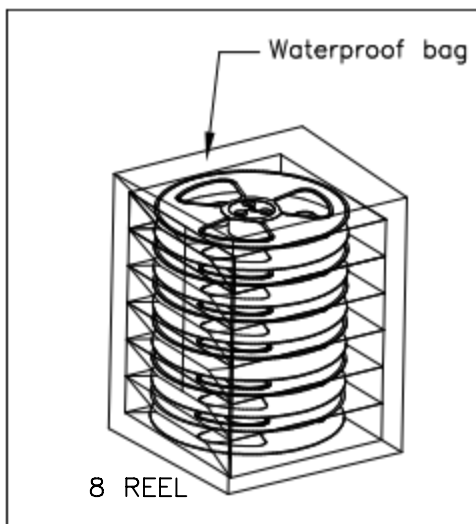
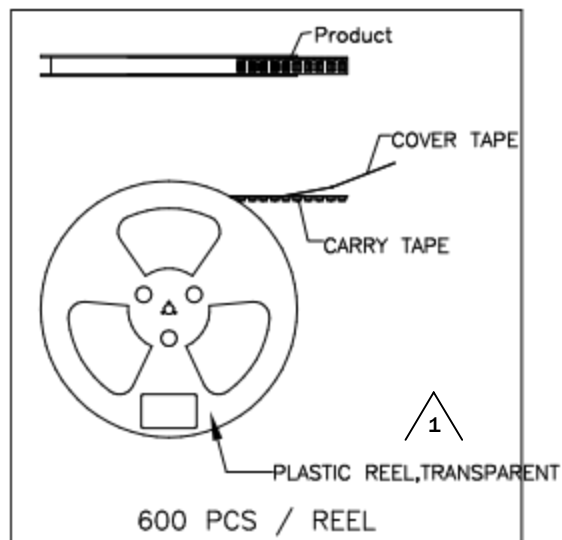
		CND-TEK 深圳磁联达电子有限公司 Shen zhen cnd-tek Electronics Co., Ltd Web: http://www.cd-tek.com	
DO NOT SCALE DRAWING DRAWING IS SUBJECT TO CHANGE WITHOUT NOTICE		TITLE SFP+连接器	
DIMENSIONS: mm(INCH) .X±0.20 .XXX±0.10		PART NO: G72SK210C01	DRN BY: TONY
SHEET NO. 3 OF 4		Product: PCB JACK RJ45 RJ11 USB CONNECTOR SFP CONNECTOR TRANSFORMER	DATE: 12-10-08
		DWG NO: SFP2C21	REV: A10



2 2

1 1

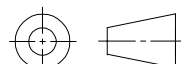
PACKAGE INFORMATION AND LABEL



PACKING QUANTITY : 600 PCS FINISHED GOODS PER REEL.

8 REEL (4800 PCS FINISHED GOODS) PER CARTON BOX.



THIRD ANGLE PROJECTION				CND-TEK 深圳磁联达电子有限公司 Shen zhen cnd-tek Electronics Co., Ltd Web: http://www.cd-tek.com	
DO NOT SCALE DRAWING		TITLE			
DRAWING IS SUBJECT TO CHANGE WITHOUT NOTICE		SFP+连接器			
DIMENSIONS: mm(INCH)		PART NO:		DRN BY:	DATE:
.X±0.20 .XXX±0.10		G72SK210C01		TONY	12-10-08
.XX±0.15		Product: PCB JACK RJ45 RJ11 USB CONNECTOR SFP CONNECTOR TRANSFORMER		APPD BY:	DATE:
SHEET NO. 4 OF 4				JIM	12-10-08
				DWG NO:	REV:
				SFP2C21	A10