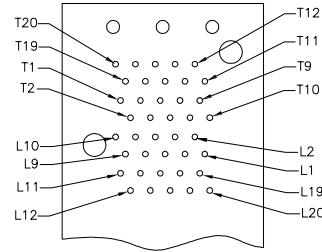
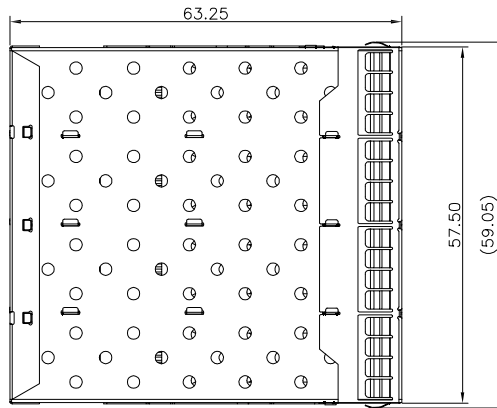


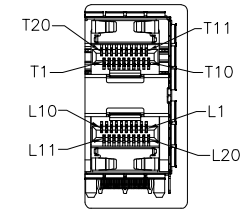
2

1

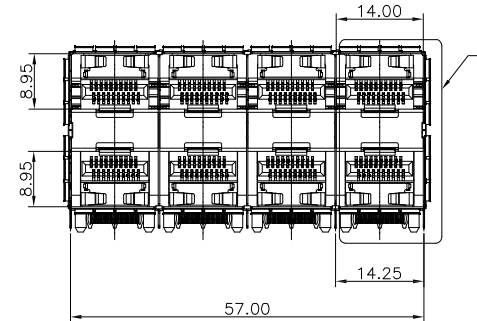
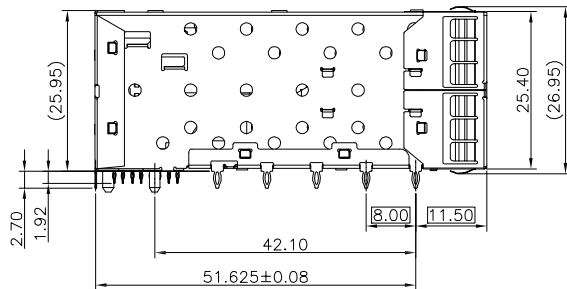
DATE	REV	ECN	APP'D.BY



CONNECTOR PIN-OUT
COMPONENT SIDE OF BOARD



DETAIL A
1:1



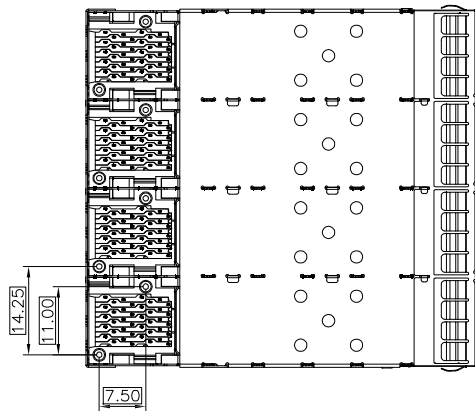
NOTES:

MATERIAL:
CAGE: NICKEL SILVER

CONNECTOR:
PLASTIC HOUSING: HIGH TEMPERATURE LCP, UL94 V-0.
LIGHT PIPE: POLYCARBONATE; COLOR: CLEAR
SPRING: STAINLESS STEEL
CONTACTS: PHOSPHOR BRONZE
CONTACT PLATING: 15u" MIN. GOLD ON MATING AREA,
150u" MATTE TIN ON SOLDER TAILS

PACKAGING: TRAY PACKAGING.

TEMPERATURE RANGE: -40°C TO +85°C



B


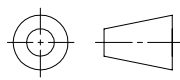
B

A

A

2

1

THIRD ANGLE PROJECTION		 深圳磁联达电子有限公司 Shen zhen cnd-tek Electronics Co., Ltd Web: http://www.cd-tek.com	
			
DO NOT SCALE DRAWING		TITLE	
DRAWING IS SUBJECT TO CHANGE WITHOUT NOTICE		SFP+ 2X4 CAGE+CONNECTOR	
DIMENSIONS: mm(INCH)		PART NO:	DRN BY: DATE:
.X±0.20 .XXX±0.10		AE90K4104105	TONY 03-25-20
.XX±0.15		Product: PCB JACK RJ45 RJ11 USB CONNECTOR SFP CONNECTOR TRANSFORMER	APPD BY: DATE: JIM 03-25-20
SHEET NO. 1 OF 3		DWG NO:	REV:
		SFP20022	A10



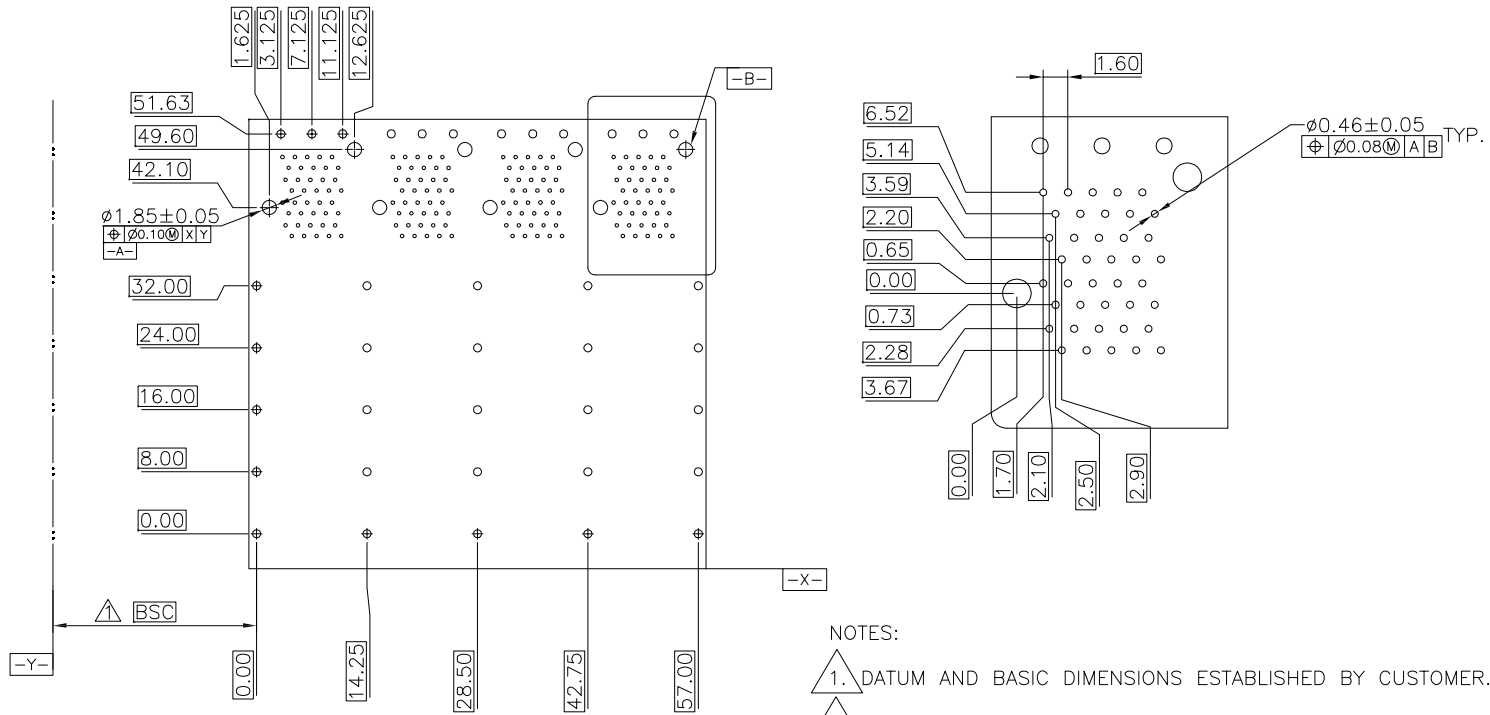
2

1

DATE	REV	ECN	APP'D.BY

B

B



- NOTES:
1. DATUM AND BASIC DIMENSIONS ESTABLISHED BY CUSTOMER.
 2. 1.05 mm DIAMETER HOLES ARE CHASSIS GROUND (18 HOLES).

ECOMMENDED PCB CONFIGURATION

A

A

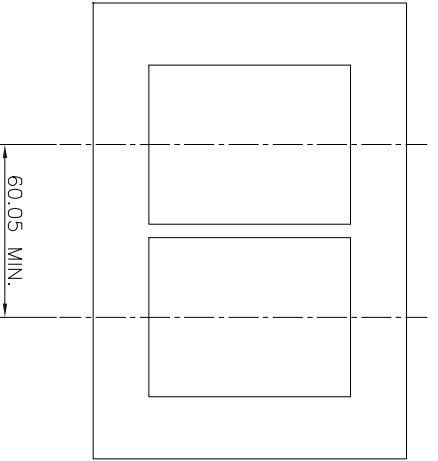
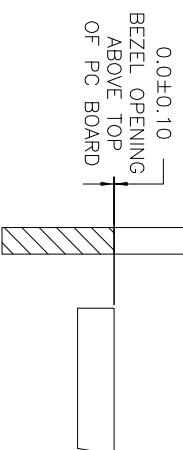
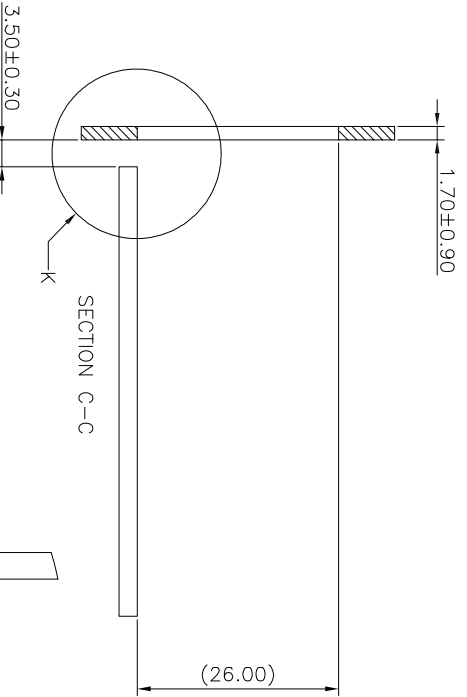
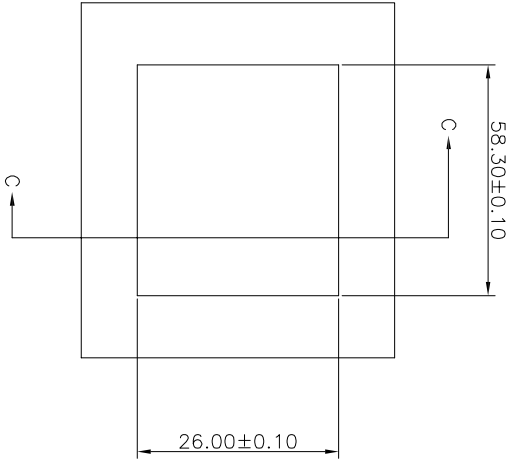
THIRD ANGLE PROJECTION						深圳磁联达电子有限公司 Shen zhen cnd-tek Electronics Co., Ltd Web: http://www.cd-tek.com	
DO NOT SCALE DRAWING		TITLE					
DRAWING IS SUBJECT TO CHANGE WITHOUT NOTICE		SFP+ 2X4 CAGE+CONNECTOR					
DIMENSIONS: mm(INCH)		PART NO:		DRN BY:	DATE:		
.X±0.20 .XXX±0.10		AE90K4104105		TONY	03-25-20		
.XX±0.15		Product: PCB JACK RJ45 RJ11 USB		APPD BY:	DATE:		
SHEET NO.		CONNECTOR SFP CONNECTOR		JIM	03-25-20		
2 OF 3		TRANSFORMER		DWG NO:	REV:		
				SFP20022	A10		



2

1

DATE	REV	ECN	APP'D_BY



A

B

RECOMMENDED BEZEL DESIGN

DETAIL K
2:1

A

B

THIRD ANGLE PROJECTION

DO NOT SCALE DRAWING
DRAWING IS SUBJECT TO CHANGE WITHOUT NOTICE
DIMENSIONS: mm(INCH)

CND-TEK
深圳磁联达电子有限公司
Shen zhen cnd-tek Electronics Co., Ltd
Web: <http://www.cd-tek.com>

TITLE
SFP+ 2X4 CAGE+CONNECTOR

PART NO: AE90K4104105

DRN BY: TONY
DATE: 03-25-20

Product: PCB JACK R45 RJ11 USB
CONNECTOR SFP CONNECTOR
TRANSFORMER

APPD BY: JIM
DATE: 03-25-20

DWG NO: SFP20022
REV: A10



.XX±0.15
XXX±0.10
SHEET NO.
3 OF 3