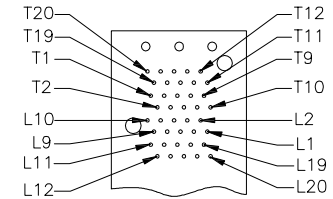
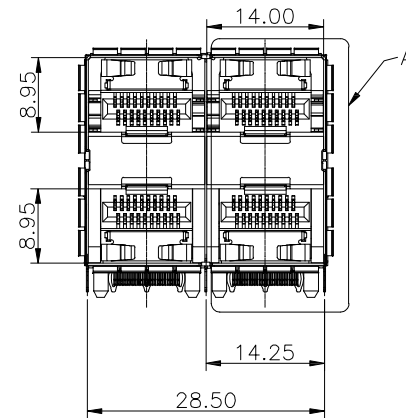
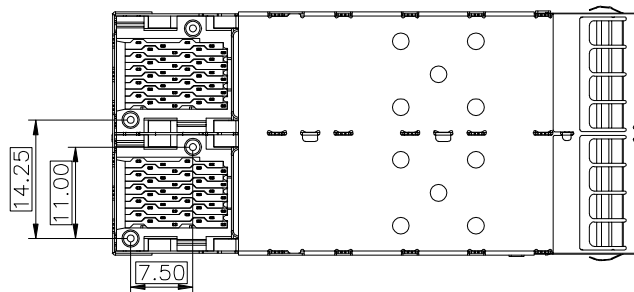
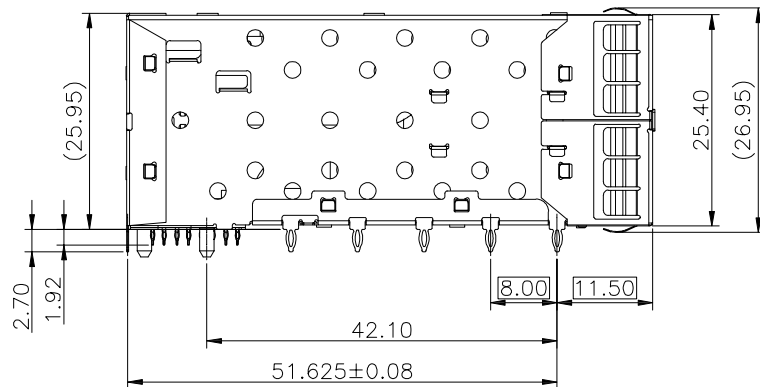
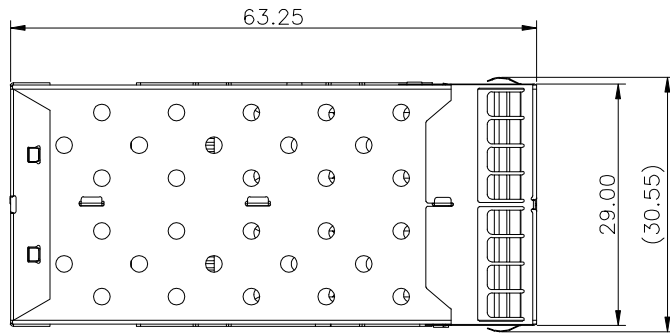


2

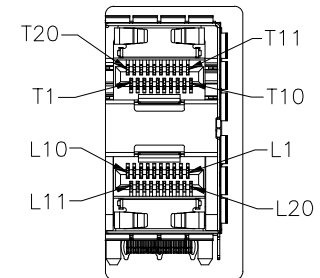
1

MECHANICAL DIMENSION

DATE	REV	ECN	APP'D.BY



CONNECTOR PIN-OUT
COMPONENT SIDE OF BOARD



DETAIL A
1:1

NOTES:

MATERIAL:
CAGE: COPPER ALLOY, THICKNESS 0.25mm
CONNECTOR:
PLASTIC HOUSING: HIGH TEMPERATURE LCP, UL94 V-0.
SPRING: STAINLESS STEEL, THICKNESS 0.20mm
CONTACTS: PHOSPHOR BRONZE, THICKNESS 0.20mm
PLATING: 30μ" MIN. GOLD ON MATING AREA,
150μ" MIN. MATE TIN ON SOLDER TAILS.

PACKAGING: TRAY PACKAGING.

TEMPERATURE RANGE: -40°C TO +85°C

B

B

A

A

2

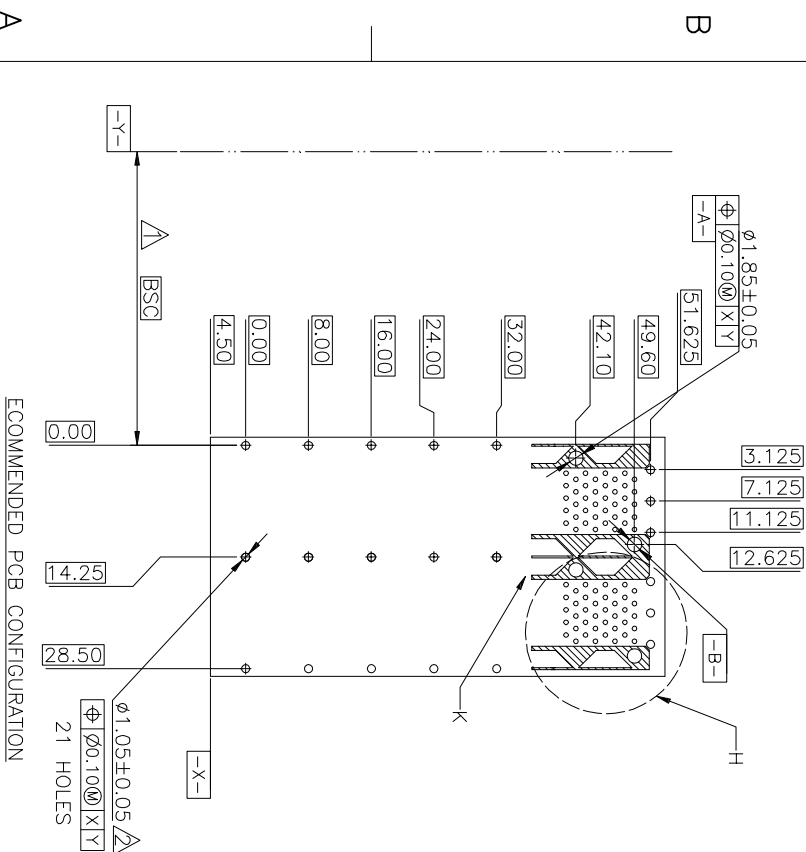
1



THIRD ANGLE PROJECTION						深圳磁联达电子有限公司 Shen zhen cnd-tek Electronics Co., Ltd Web: http://www.cd-tek.com	
DO NOT SCALE DRAWING DRAWING IS SUBJECT TO CHANGE WITHOUT NOTICE		TITLE SFP+ 2X2 CAGE+CONNECTOR					
DIMENSIONS: mm(INCH)		PART NO: AE90K2104005		DRN BY: TONY		DATE: 12-10-08	
.X±0.20 .XXX±0.10		Product: PCB JACK RJ45 RJ11 USB CONNECTOR SFP CONNECTOR TRANSFORMER		APPD BY: JIM		DATE: 9-23-09	
.XX±0.15				DWG NO: SFP20003		REV: A10	
SHEET NO. 1 OF 3							

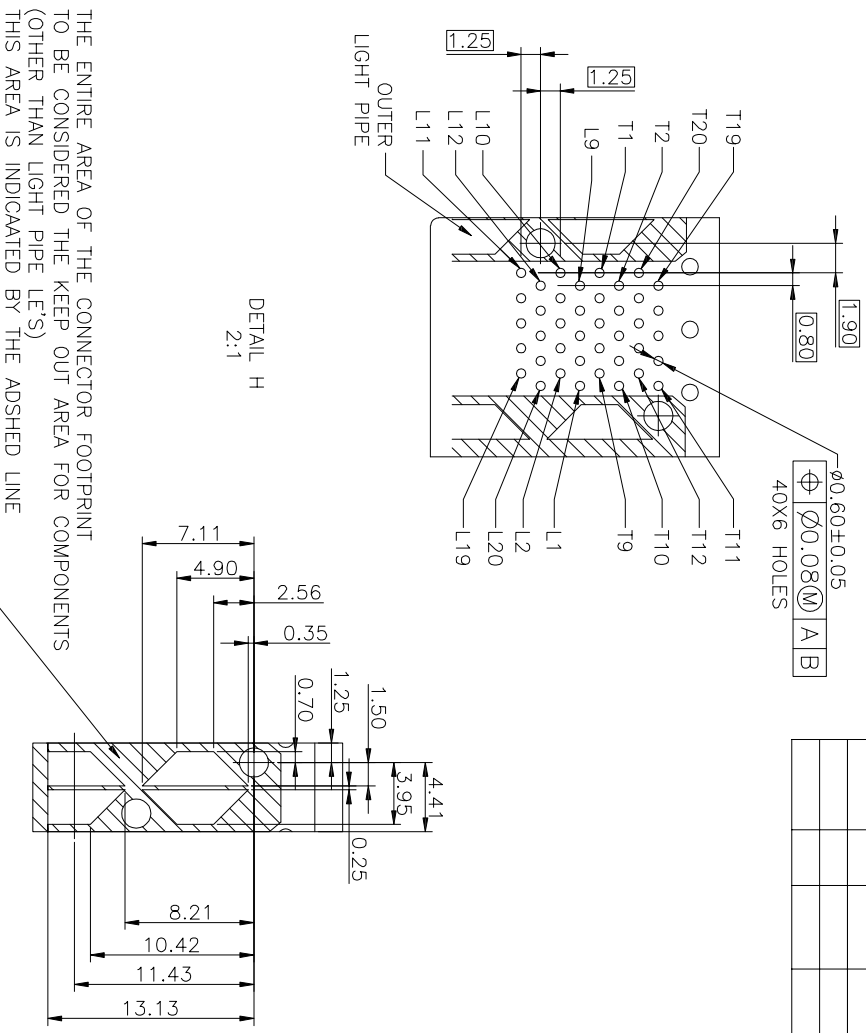
NOTES:

- 1. DATUM AND BASIC DIMENSIONS ESTABLISHED BY CUSTOMER.
- 2. 1.05 mm DIAMETER HOLES ARE CHASSIS GROUND).



A

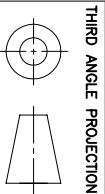
B



DETAIL LIGHT PIPE LOCATION AND OTHER ZONES
DETAIL K
2:1

A

B



DO NOT SCALE DRAWING
DRAWING IS SUBJECT TO
CHANGE WITHOUT NOTICE
DIMENSIONS: mm(INCH)

$\times \pm 0.20$	$\times \times \times \pm 0.10$
$\times \times \pm 0.15$	
SHEET NO.	2 OF 3

TITLE
SFP+ 2X2 CAGE+CONNECTOR



深圳磁联达电子有限公司
Shen zhen cnd-tek Electronics Co., Ltd
Web: <http://www.cd-tek.com>

PART NO: AE90K2104005

DRN BY: TONY
DATE: 12-10-08

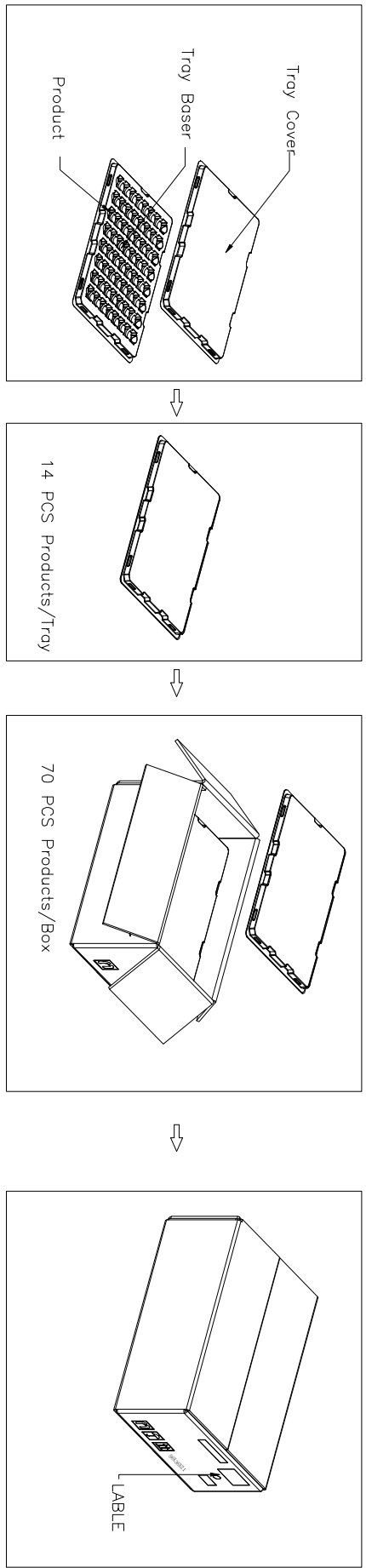
Product: PCB JACK R445 R411
USB CONNECTOR SFP
CONNECTOR TRANSFORMER

APPD BY: JIM
DATE: 9-23-09
DWG NO: SFP20003
REV: A10



PACKAGE INFORMATION AND LABEL

DATE	REV	ECN	APP'D, BY



PACKING QUANTITY : 14 PCS FINISHED GOODS PER TRAY

5 TRAYS (70 PCS FINISHED GOODS) PER CARTON BOX

A

A

B

B

THIRD ANGLE PROJECTION	
DO NOT SCALE DRAWING	
DRAWING IS SUBJECT TO CHANGE WITHOUT NOTICE	
DIMENSIONS: mm(INCH)	
.X±0.20 .XXX±0.10	
.XX±0.15	
SHEET NO.	3 OF 3

CND-TEK
 深圳 矽联达电子有限公司
 Shen zhen cnd-tek Electronics Co., Ltd
 Web: <http://www.cd-tek.com>

TITLE		SFP+ 2X2 CAGE+CONNECTOR	
PART NO:	AE90K2104005	DRW BY:	TONY
DATE:	12-10-08	APPD BY:	JIM
DATE:	9-23-09	DWG NO:	SFP20003
Product: PCB JACK RJ45 RJ11		REV:	A10
USB CONNECTOR SFP			
CONNECTOR TRANSFORMER			

