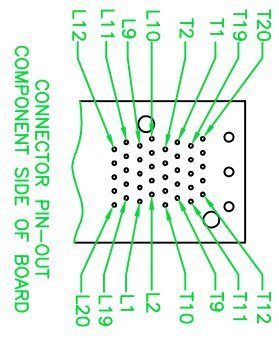
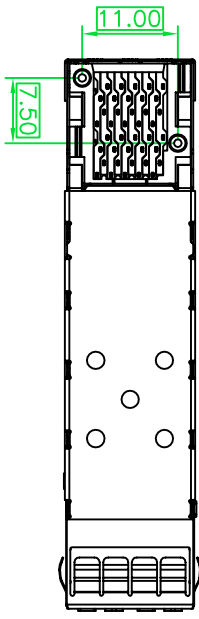
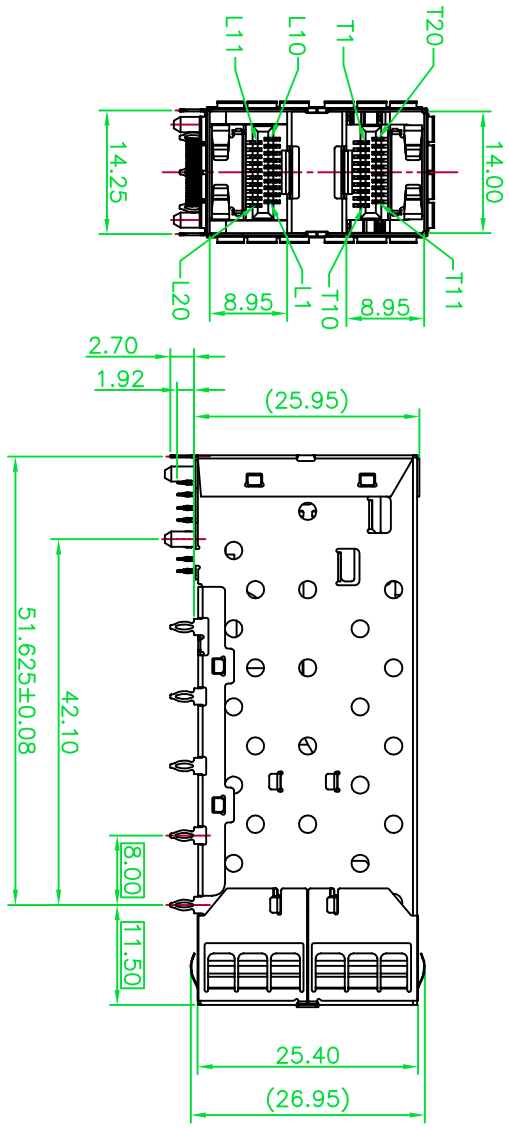
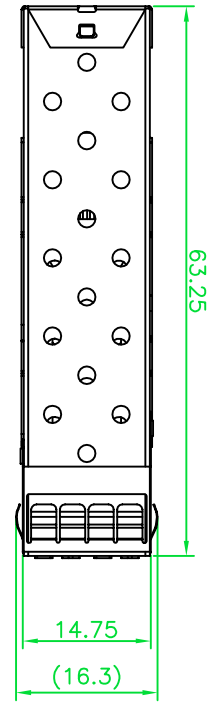


MECHANICAL DIMENSION



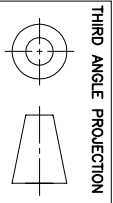
NOTES:

MATERIAL: CAGE: NICKEL SILVER

CONNECTOR: PLASTIC HOUSING: HIGH TEMPERATURE LCP, UL94 V-0.
 LIGHT PIPE: POLYCARBONATE; COLOR: CLEAR
 SPRING: STAINLESS STEEL
 CONTACTS: PHOSPHOR BRONZE
 CONTACT PLATING: 15u" MIN. GOLD ON MATING AREA, 150u" MATTE TIN ON SOLDER TAILS

PACKAGING: TRAY PACKAGING.

TEMPERATURE RANGE: -40°C TO +85°C



DO NOT SCALE DRAWING
 DRAWING IS SUBJECT TO CHANGE WITHOUT NOTICE
 DIMENSIONS: mm(INCH)

XX±0.15
 XXX±0.10
 SHEET NO. 1 OF 3

CND-TEK
 深圳 矽联达电子有限公司
 Shen zhen cnd-tek Electronics Co., Ltd
 Web: <http://www.cd-tek.com>

TITLE SFP+ 2X1 COMBO WITH GROUNDING PIN

PART NO. AE90K1104000

Product: PCB JACK RJ45 RJ11 USB
 CONNECTOR SFP CONNECTOR TRANSFORMER

DRN BY: TONY
 DATE: 12-10-08

APPD BY: JIM
 DATE: 9-23-09

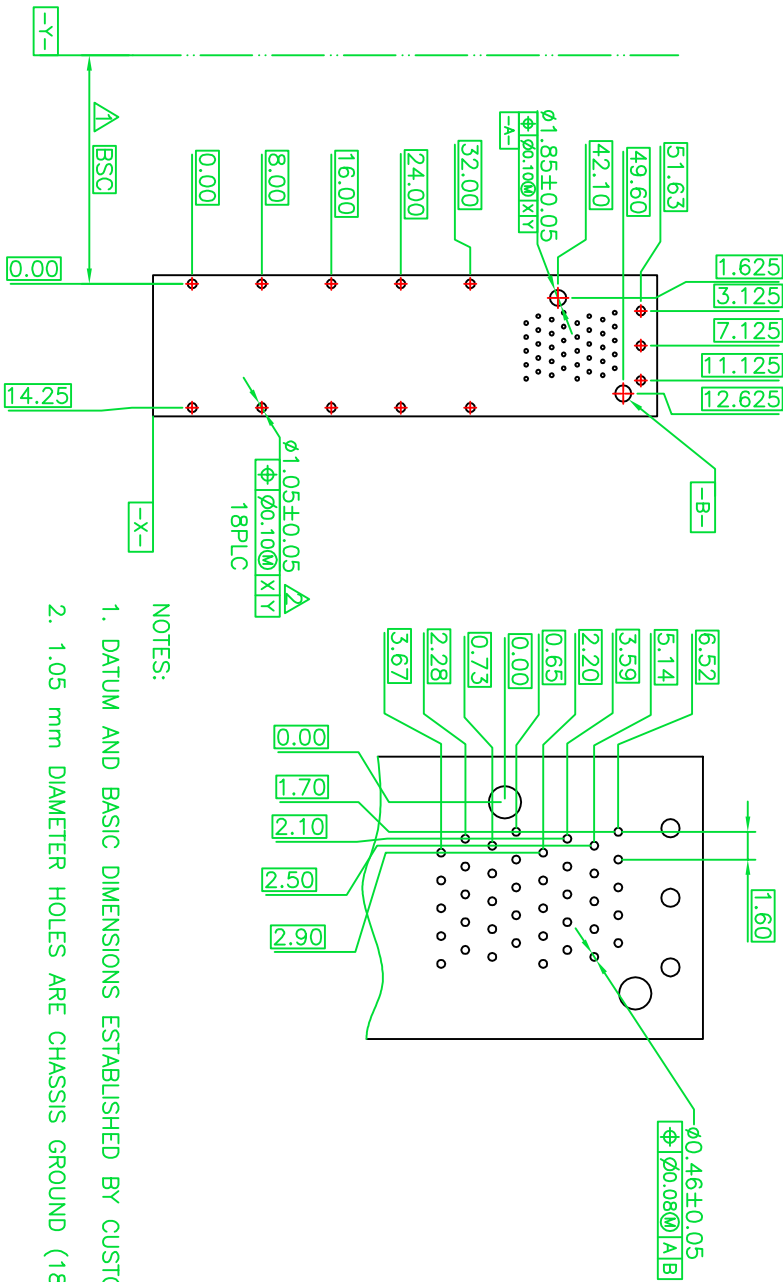
DWG NO: SFP20005
 REV: A10



DATE	REV	ECN	APP'D.

MECHANICAL DIMENSION

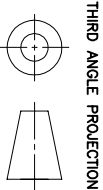
DATE	REV	ECN	APP'D.



NOTES:

1. DATUM AND BASIC DIMENSIONS ESTABLISHED BY CUSTOMER.
2. 1.05 mm DIAMETER HOLES ARE CHASSIS GROUND (18 HOLES).

RECOMMENDED PCB CONFIGURATION



THIRD ANGLE PROJECTION

CND-TEK

深圳磁联达电子有限公司
Shen zhen cnd-tek Electronics Co., Ltd
Web: <http://www.cd-tek.com>

TITLE
SFP+ 2X1 COMBO WITH GROUNDING PIN

DO NOT SCALE DRAWING
DRAWING IS SUBJECT TO
CHANGE WITHOUT NOTICE

PART NO.
AE90K1104000

DIMENSIONS: mm(INCH)
.XX±0.15 .XXX±0.10

Product: PCB JACK RJ45 RJ11 USB
CONNECTOR SFP CONNECTOR TRANSFORMER

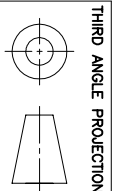
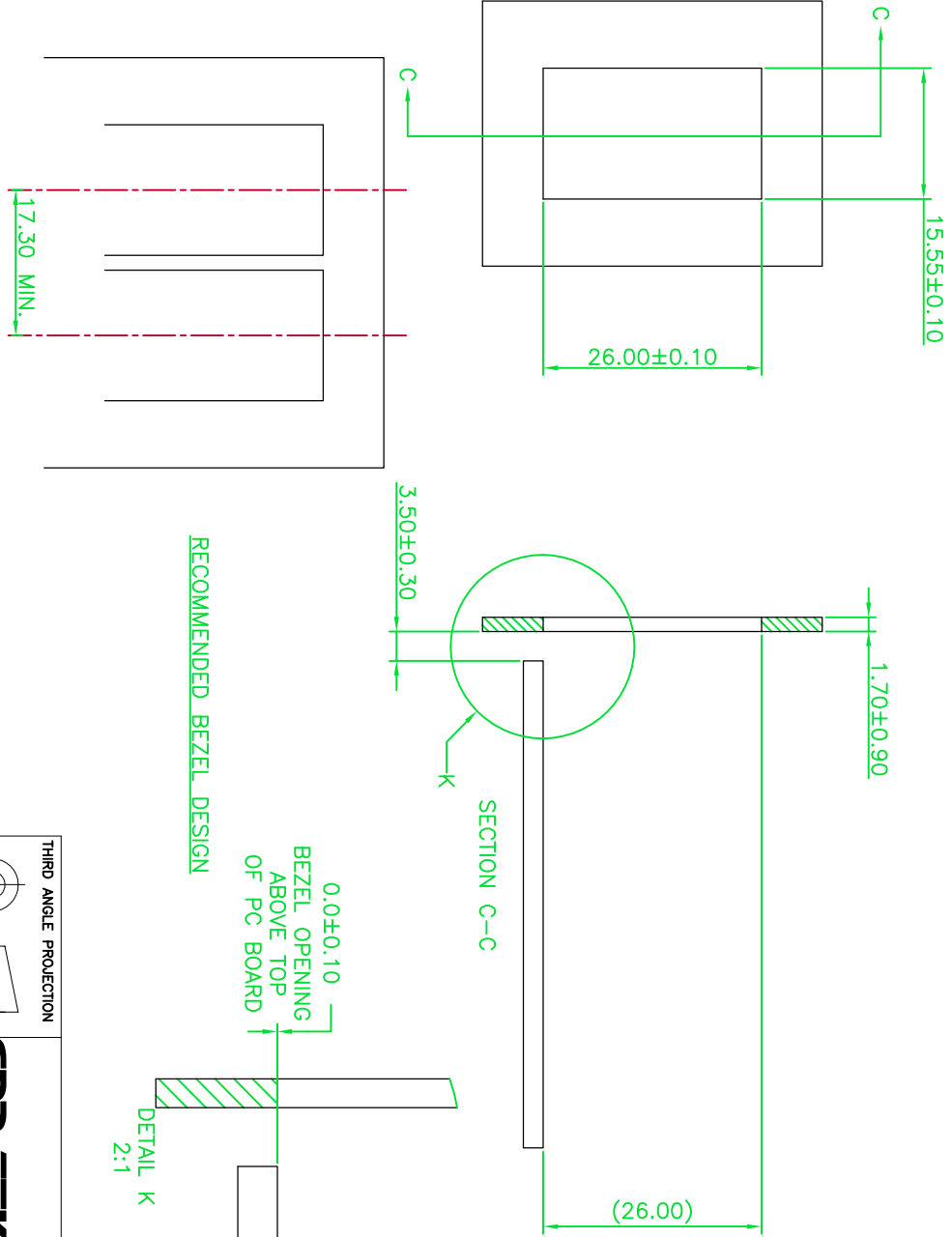
SHEET NO.
2 OF 3

DRW BY: TONY	DATE: 12-10-08
APP'D BY: JIM	DATE: 9-23-09
DWG NO: SFP20005	REV: A10



MECHANICAL DIMENSION

DATE	REV	ECN	APP'D.



DO NOT SCALE DRAWING
DRAWING IS SUBJECT TO
CHANGE WITHOUT NOTICE
DIMENSIONS: mm(INCH)

.XX±0.15	.XXX±0.10
X±0.20	
SHEET NO.	3 OF 3

CND-TEK
 深圳磁联达电子有限公司
 Shen zhen cnd-tek Electronics Co., Ltd
 Web: <http://www.cd-tek.com>

TITLE: SFP+ 2X1 COMBO WITH GROUNDING PIN
 PART NO: AE90K1104000

DRW BY: TONY	DATE: 12-10-08
APP'D BY: JIM	DATE: 9-23-09
DWG NO: SFP20005	REV: A10

