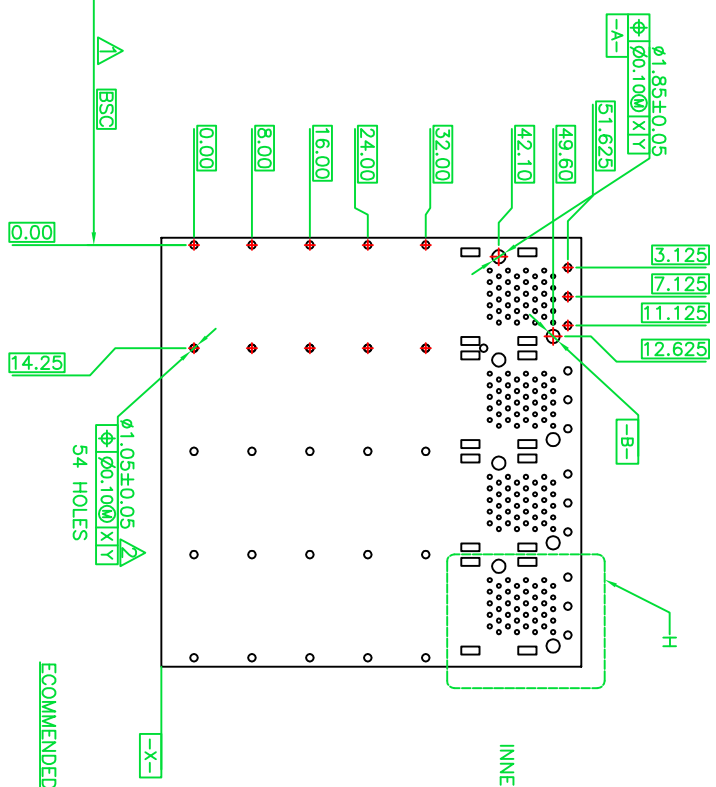


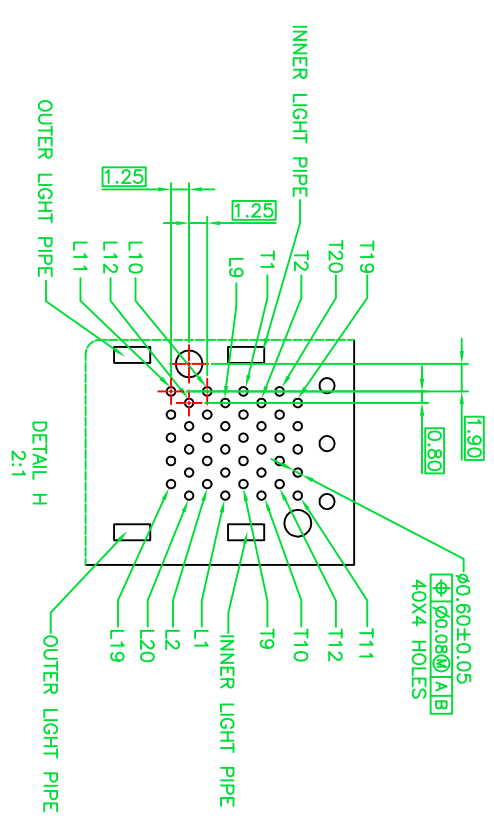


MECHANICAL DIMENSION

DATE	REV	ECN	APP'D.



RECOMMENDED PCB CONFIGURATION



NOTES:

- 1. DATUM AND BASIC DIMENSIONS ESTABLISHED BY CUSTOMER.
- 2. 1.05 mm DIAMETER HOLES ARE CHASSIS GROUND (54 HOLES).

THIRD ANGLE PROJECTION

DO NOT SCALE DRAWING  
DRAWING IS SUBJECT TO CHANGE WITHOUT NOTICE  
DIMENSIONS: mm(INCH)

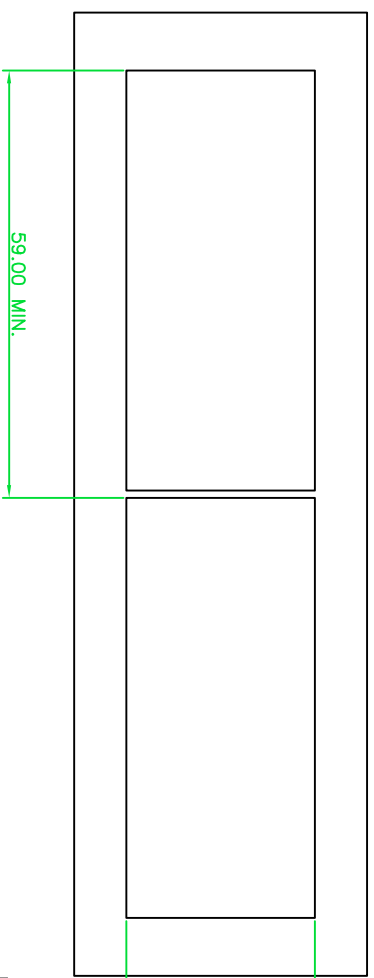
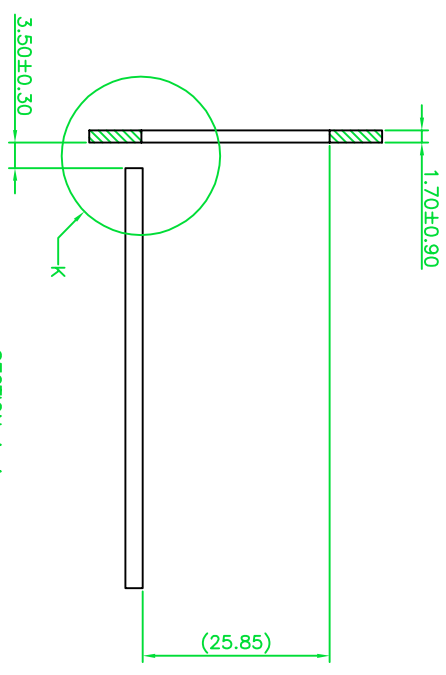
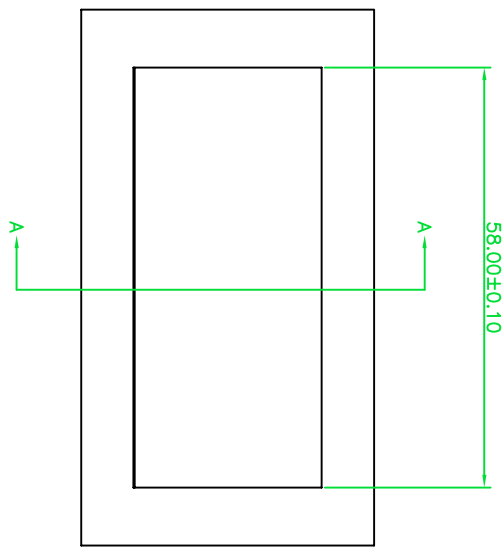
**CND-TEK**  
深圳 矽联达电子有限公司  
Shen zhen cnd-tek Electronics Co., Ltd  
Web: <http://www.cd-tek.com>

TITLE		SFP 2X4 COMBO WITH GROUNDING PIN WITH	
PART NO.	AE90A4004105	DRN BY:	TONY
DIMENSIONS: mm(INCH)		DATE:	12-10-08
.XX±0.15 .XXX±0.10		APP'D BY:	JIM
SHEET NO. 2 OF 3		DATE:	9-23-09
Product: PCB JACK RJ45 RJ11 USB CONNECTOR SFP CONNECTOR TRANSFORMER		DWG NO:	SFP10004
		REV:	A10

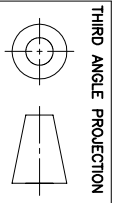
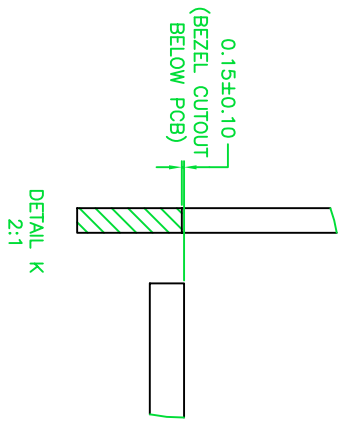


MECHANICAL DIMENSION

DATE	REV	ECN	APP'D.



RECOMMENDED BEZEL DESIGN



THIRD ANGLE PROJECTION

DO NOT SCALE DRAWING  
DRAWING IS SUBJECT TO CHANGE WITHOUT NOTICE

DIMENSIONS: mm(INCH)

.XX±0.20 .XXX±0.10

.XX±0.15

SHEET NO. 3 OF 3

**CND-TEK**

深圳 森联达电子有限公司  
Shen zhen cnd-tek Electronics Co., Ltd  
Web: <http://www.cd-tek.com>

TITLE SFP 2X4 COMBO WITH GROUNDING PIN WITH

PART NO. AE90A4004105

DRN BY: TONY DATE: 12-10-08

APP'D BY: JIM DATE: 9-23-09

DWG NO: SFP10004 REV: A10

Product: PCB JACK RJ45 RJ11 USB CONNECTOR SFP CONNECTOR TRANSFORMER

