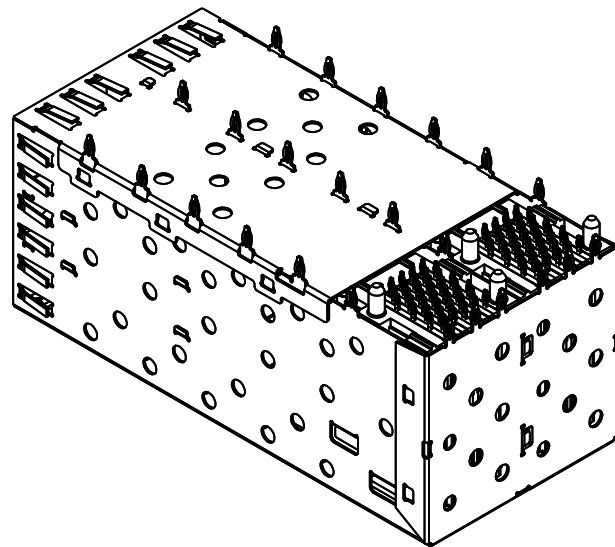
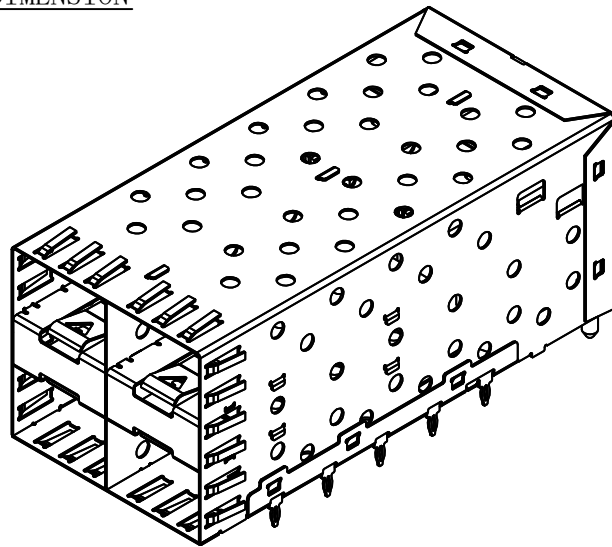


2

1

MECHANICAL DIMENSION

DATE	REV	ECN	APP'D.BY



NOTES:

MATERIAL:

CAGE: NICKEL SILVER, THICKNESS 0.25mm.

CONNECTOR:

PLASTIC HOUSING: HIGH TEMPERATURE LCP, UL94 V-0.

SPRING: STAINLESS STEEL, THICKNESS 0.20mm.

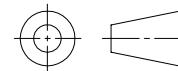
CONTACTS: PHOSPHOR BRONZE

PLATING: 15 μ " MIN. GOLD ON MATING AREA,
150 μ " MIN. MATTE TIN ON SOLDER TAILS.

PACKAGING: TRAY PACKAGING.

TEMPERATURE RANGE: -40°C TO +85°C

THIRD ANGLE PROJECTION

**CND-TEK**

深圳磁联达电子有限公司

Shen zhen cnd-tek Electronics Co., Ltd

Web: <http://www.cd-tek.com>

DO NOT SCALE DRAWING

TITLE

SFP 2X2 COMBO WITH GROUNDING PIN

DRAWING IS SUBJECT TO
CHANGE WITHOUT NOTICE

DIMENSIONS: mm(INCH)

PART NO:

AE90A2104405

DRN BY:

TONY

DATE:

12-10-08

.X \pm 0.20 .XXX \pm 0.10

Product: PCB JACK RJ45 RJ11 USB

APPD BY:

JIM

DATE:

9-23-09

.XX \pm 0.15

CONNECTOR SFP CONNECTOR TRANSFORMER

DWG NO:

SFP10007

REV:

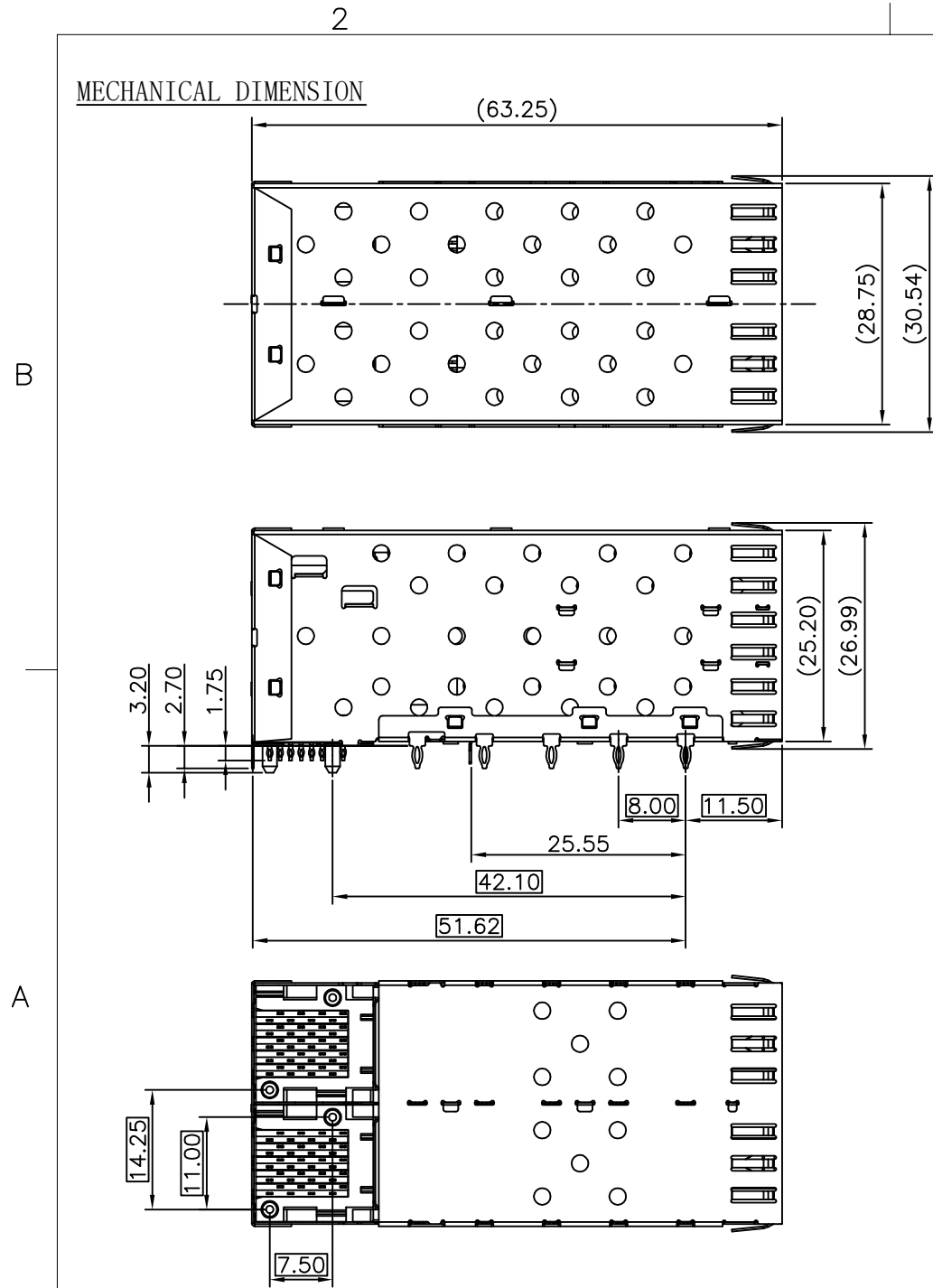
A10

SHEET NO.
1 OF 4

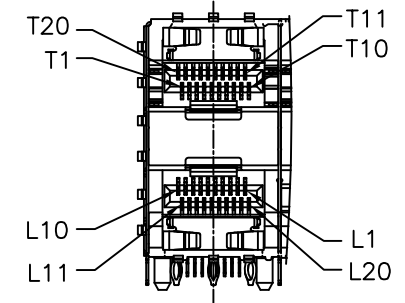
2

1

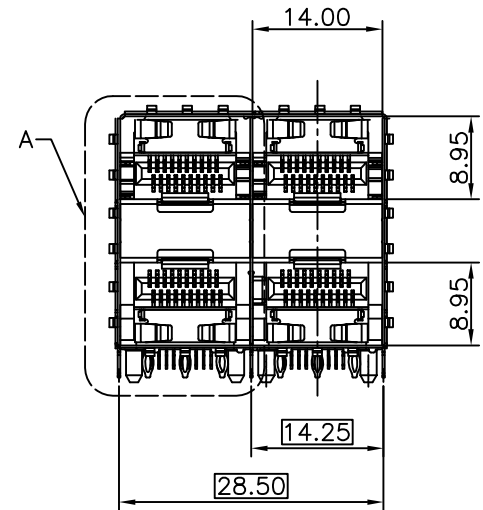
MECHANICAL DIMENSION



DATE	REV	ECN	APP'D.BY



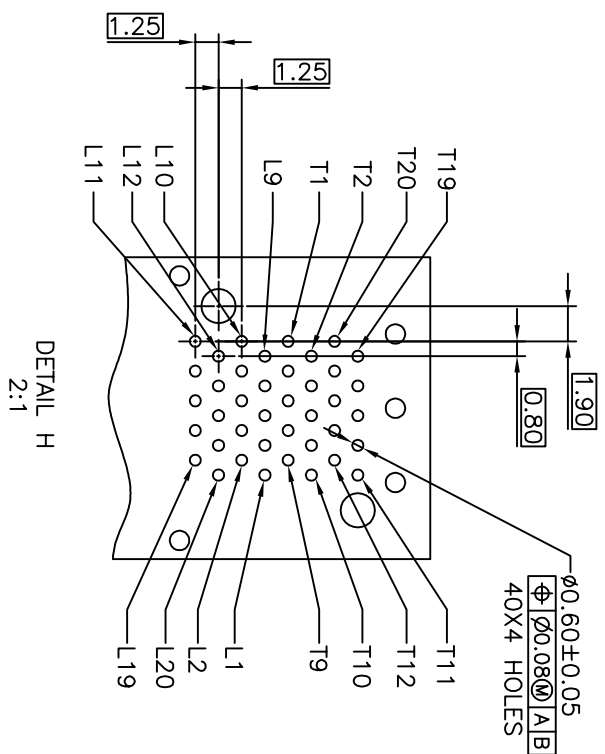
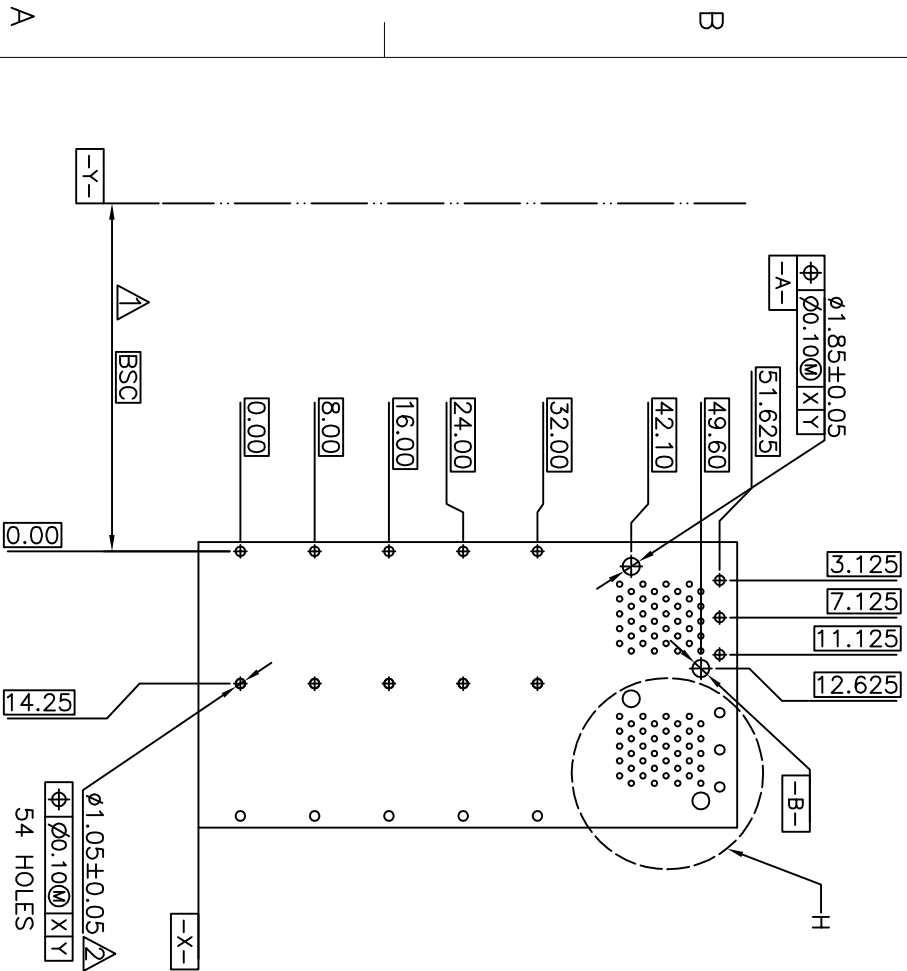
DETAIL A
1:1



THIRD ANGLE PROJECTION		深圳磁联达电子有限公司 Shen zhen cnd-tek Electronics Co., Ltd Web: http://www.cd-tek.com	
DO NOT SCALE DRAWING DRAWING IS SUBJECT TO CHANGE WITHOUT NOTICE		TITLE SFP 2X2 COMBO WITH GROUNDING PIN	
DIMENSIONS: mm(INCH)		PART NO: AE90A2104405	DRN BY: TONY
.X±0.20 .XXX±0.10		Product: PCB JACK RJ45 RJ11 USB CONNECTOR SFP CONNECTOR TRANSFORMER	DATE: 12-10-08
.XX±0.15			APPD BY: JIM
SHEET NO. 2 OF 4			DATE: 9-23-09
			DWG NO: SFP10007
			REV: A10



MECHANICAL DIMENSION



RECOMMENDED PCB CONFIGURATION

NOTES:

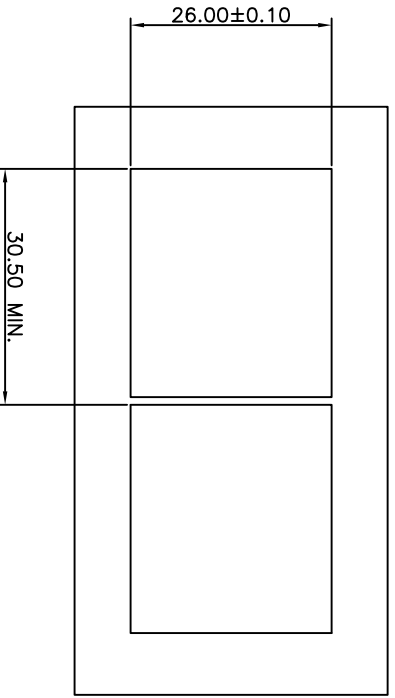
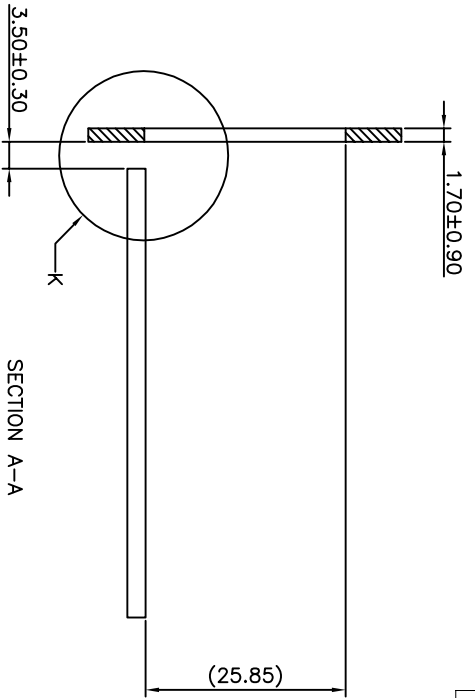
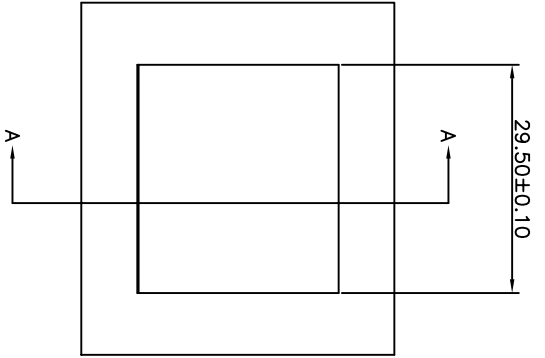
1. DATUM AND BASIC DIMENSIONS ESTABLISHED BY CUSTOMER.
2. 1.05 mm DIAMETER HOLES ARE CHASSIS GROUND (30 HOLES).



DATE	REV	ECN	APP'D, BY

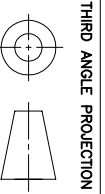
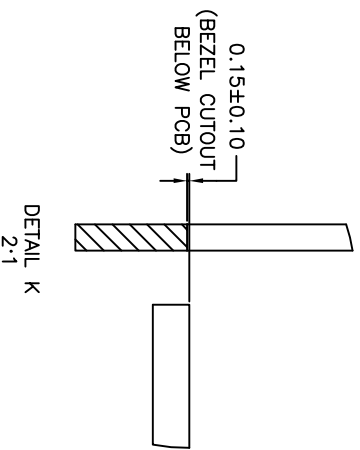
THIRD ANGLE PROJECTION			
DO NOT SCALE DRAWING			
DRAWING IS SUBJECT TO CHANGE WITHOUT NOTICE			
DIMENSIONS: mm(INCH)			
.XX±0.20	.XXX±0.10		
SHEET NO. 3 OF 4			
CND-TEK 深圳 磁联达 电子有限公司 Shen zhen cnd-tek Electronics Co., Ltd Web: http://www.cd-tek.com		TITLE SFP 2X2 COMBO WITH GROUNDING PIN	
PART NO: AE90A2104405			
DRW BY: TONY	DATE: 12-10-08		
APP'D BY: JIM	DATE: 9-23-09		
Product: PCB JACK RJ45 RJ11 USB CONNECTOR SFP CONNECTOR TRANSFORMER			
DWG NO: SFP10007	REV: A10		

MECHANICAL DIMENSION



RECOMMENDED BEZEL DESIGN

DATE	REV	ECN	APP'D, BY



THIRD ANGLE PROJECTION

DO NOT SCALE DRAWING

DRAWING IS SUBJECT TO CHANGE WITHOUT NOTICE

DIMENSIONS: mm(INCH)

.XX±0.15 .XXX±0.10

.X±0.20 .XXX±0.10

SHEET NO. 3 OF 4

CND-TEK

深圳 磁联达 电子有限公司
Shen zhen cnd-tek Electronics Co., Ltd
Web: <http://www.cd-tek.com>

TITLE SFP 2X2 COMBO WITH GROUNDING PIN

PART NO: AE90A2104405

DRN BY: TONY DATE: 12-10-08

Product: PCB JACK RJ45 RJ11 USB CONNECTOR SFP CONNECTOR TRANSFORMER

APP'D BY: JIM DATE: 9-23-09

DWG NO: SFP10007 REV: A10

