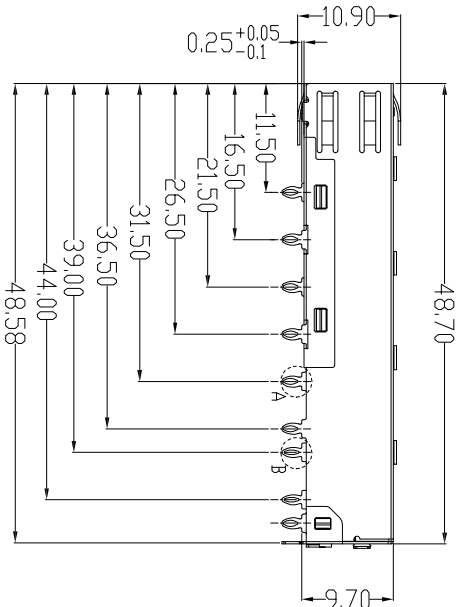
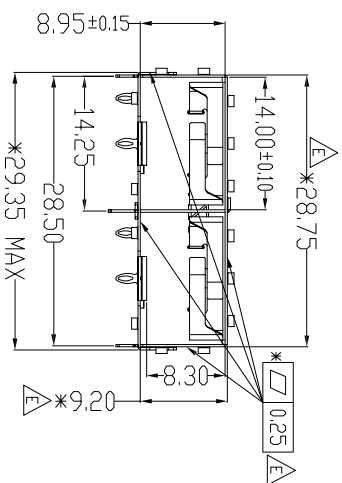
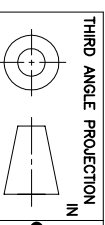


REV. 版本	ECN MO. 变更说明	DATE 日期
A	First Issued	201 30830
B	Material Number Correct	201 30921
C	图面更新	201 31 011
D	图面更新	201 40724
E	加标管控尺寸	201 801 27



B

A



THIRD ANGLE PROJECTION IN

CND-TEK

深圳 矽联达电子有限公司
Shen zhen cnd-tek Electronics Co., Ltd
Web: <http://www.cd-tek.com>

DO NOT SCALE DRAWING	TITLE	DRW BY:	DATE:
DRAWING IS SUBJECT TO CHANGE WITHOUT NOTICE	SFP 1X2 CAGE PRESS FIT	TONY	12-10-08
DIMENSIONS: mm(INCH)	PART NO:	APPD BY:	DATE:
X±0.20 XXX±0.10	AE7JA2000010	JIM	9-23-09
SHEET NO. 1 OF 2	Product: PCB JACK RJ45 RJ11 USB CONNECTOR SFP CONNECTOR TR NSFDRMER	DWG NO: SFP10026	REV: A10

技术要求:

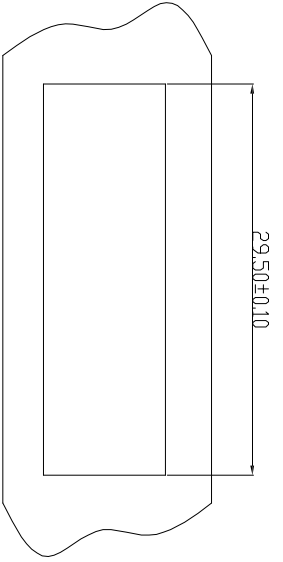
1. 标*号尺寸需要重点管控;
2. 窗口和舌片处不可有毛刺, 其它处0.02mm MAX;

RoHS Compliant

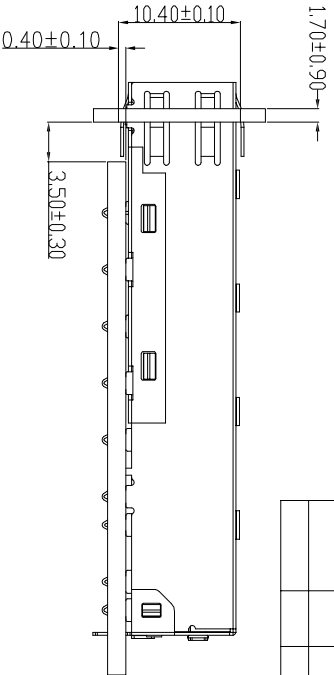


B

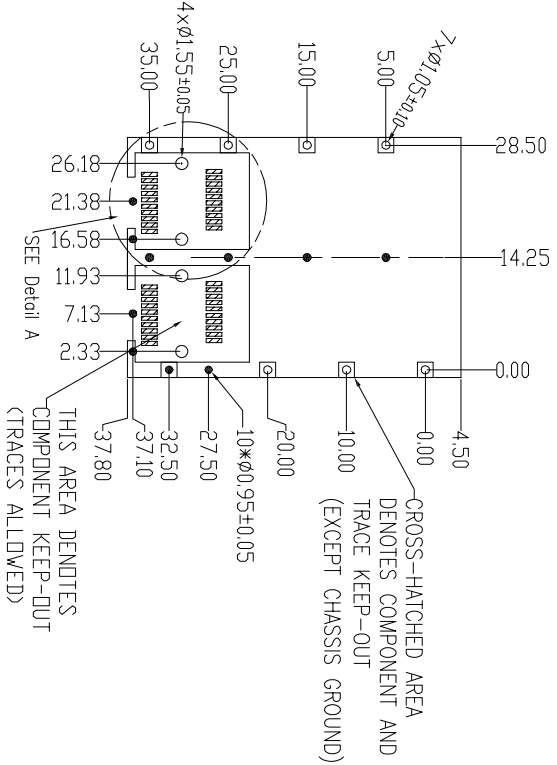
A



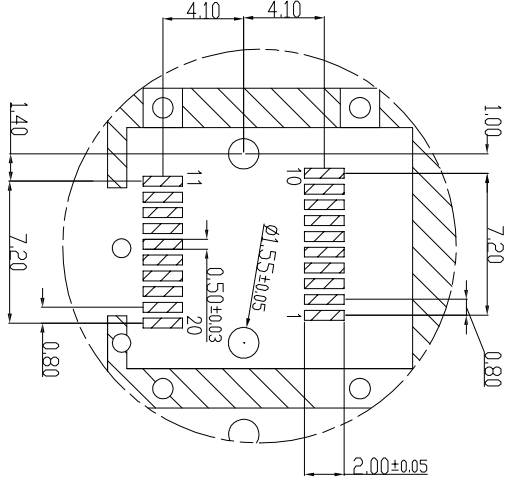
B



B



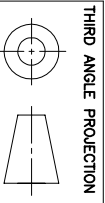
PCB LAYOUT THICKNESS=3.0MM (TOP VIEW)



SEE Detail A
SCALE: 2.5:1

A

DATE	REV	ECN	APP'D.



THIRD ANGLE PROJECTION
 DO NOT SCALE DRAWING
 DRAWING IS SUBJECT TO CHANGE WITHOUT NOTICE
 DIMENSIONS: mm(INCH)
 .XX±0.15
 .XX±0.20 .XXX±0.10
 SHEET NO. 1 OF 2

TITLE SFP 1X2 CAGE PRESS FIT

PART NO. AE71A2000010

Product: PCB JACK RJ45 RJ11 USB
 CONNECTOR SFP CONNECTOR TRANSFORMER

DRW BY: TONY DATE: 12-10-08
 APP'D BY: JIM DATE: 9-23-09
 DWG NO: SFP10026 REV: A10

CND-TEK
 深圳磁联达电子有限公司
 Shen zhen cnd-tek Electronics Co., Ltd
 Web: <http://www.cd-tek.com>

