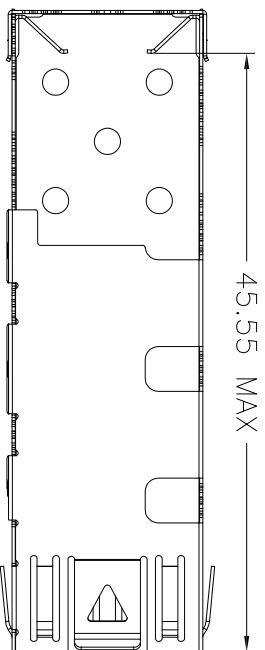
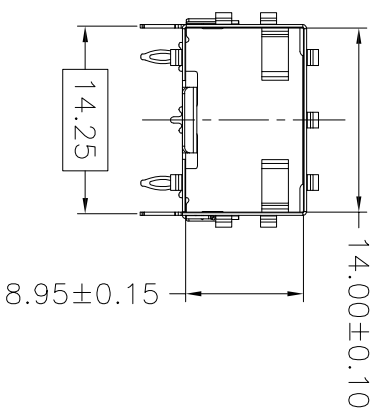
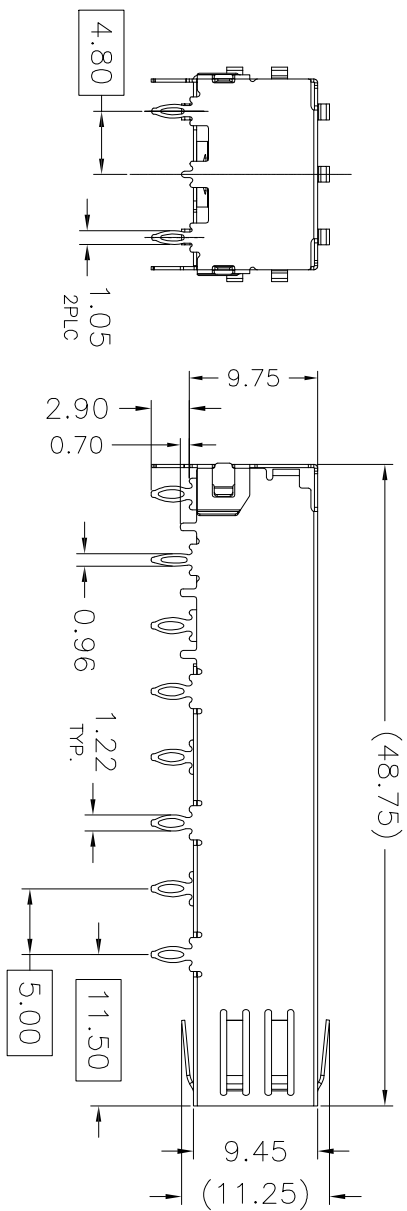
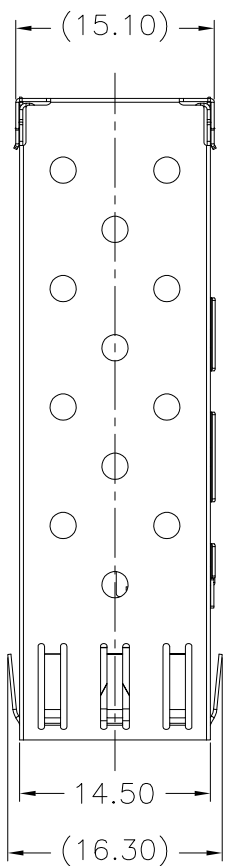
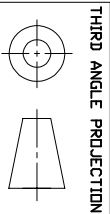


MECHANICAL DIMENSION



NOTES:

- 1. MATERIAL: STAINLESS STEEL, NI-PLATED
- 2. PACKAGING: TRAY PACKAGING
- 3. TEMPERATURE RANGE: -55°C TO +85°C



THIRD ANGLE PROJECTION

CND-TEK

深圳磁铁达电子有限公司
Shen zhen cnd-tek Electronics Co., Ltd
Web: <http://www.cd-tek.com>

DID NOT SCALE DRAWING
DRAWING IS SUBJECT TO
CHANGE WITHOUT NOTICE

TITLE
SFP+ 1X1 CAGE

DIMENSIONS: mm(INCH)
.X40.20 .XXX40.10
.XX40.15

PART NO
201N1Y02001

Product: PCB JACK R445 RJ45 USB
CONNECTOR SFP CONNECTOR TRANSFORMER

DRW BY: TDNY DATE: 07-01-22
APPD BY: JIM DATE: 07-01-22
DWG NO: SFP10014 REV: A10

DATE	REV	ECN	APP'D BY



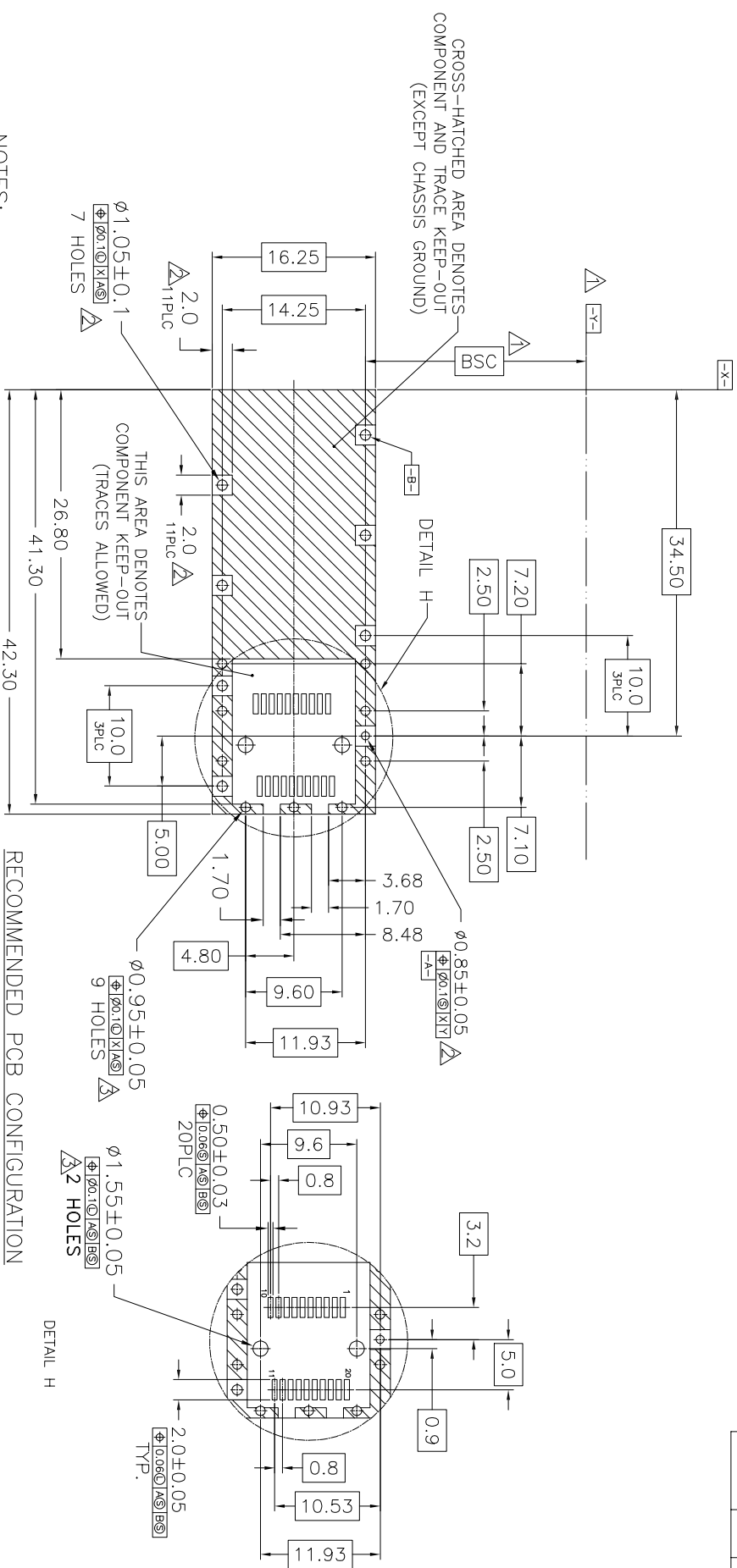
A

B

A

B

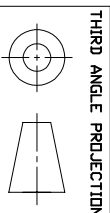
MECHANICAL DIMENSION



NOTES:

1. DATUM AND BASIC DIMENSIONS ESTABLISHED BY CUSTOMER
2. PADS AND VIAS ARE CHASSIS GROUND, 11 PLACES
3. THRU HOLES, PLATING OPTIONAL

RECOMMENDED PCB CONFIGURATION



THIRD ANGLE PROJECTION

深圳磁球达电子有限公司
Shen Zhen cand-tek Electronics Co., Ltd
Web: <http://www.cd-tek.com>

DID NOT SCALE DRAWING
DRAWING IS SUBJECT TO
CHANGE WITHOUT NOTICE

TITLE
SFP+ 1X1 CAGE

DIMENSIONS: mm(INCH)

PART NO
201N1Y02001

.X40.20 .XXX40.10

Product: PCB JACK R445 RJ45 USB
CONNECTOR SFP CONNECTOR TRANSFORMER

SHEET NO. 2 OF 4

DRW BY: TONY DATE: 07-01-22
APPD BY: JIM DATE: 07-01-22

2

DWG NO: SFP10014

REV: A10



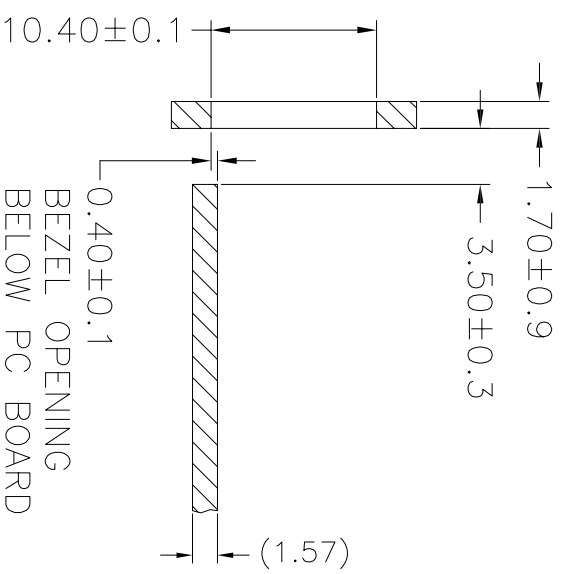
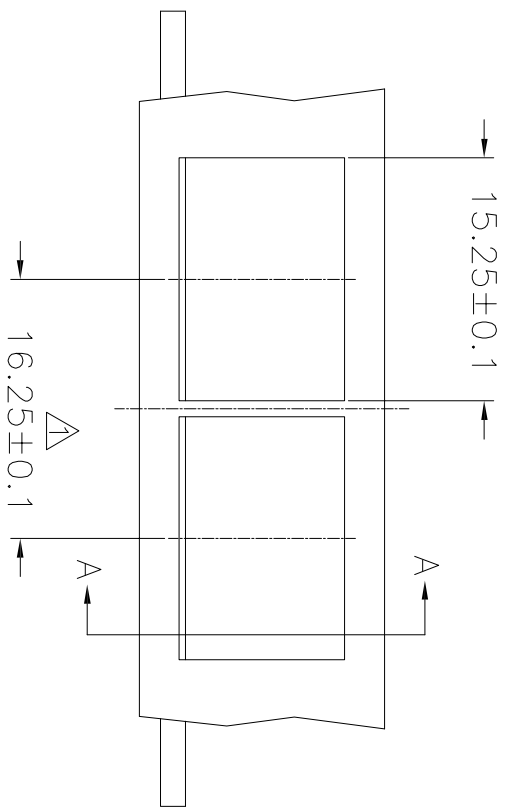
DATE	REV	ECN	APP'D BY

2

1

MECHANICAL DIMENSION

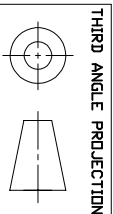
DATE	REV	ECN	APP'D BY



SECTION A-A

RECOMMENDED BEZEL DESIGN

NOTES:
 ▲ MINIMUM PITCH ILLUSTRATED, ENGLISH DIMENSIONS ARE FOR REFERENCE ONLY



CND-TEK
 深圳磁联达电子有限公司
 Shen zhen cnd-tek Electronics Co., Ltd
 Web: <http://www.cd-tek.com>

DID NOT SCALE DRAWING		TITLE	
DRAWING IS SUBJECT TO CHANGE WITHOUT NOTICE		SFP+ 1X1 CAGE	
DIMENSIONS: mm^(INCH)	PART NO	201N1Y02001	
.X±0.20 .XXX±0.10	DRW BY: TDNY	DATE: 07-01-22	
.XXX±0.15	APPD BY: JIM	DATE: 07-01-22	
SHEET NO. 3 OF 4	Product: PCB JACK R45 R411 USB CONNECTOR SFP CONNECTOR TRANSFORMER		REV: A10
	DWG NO. SFP10014		

A

B

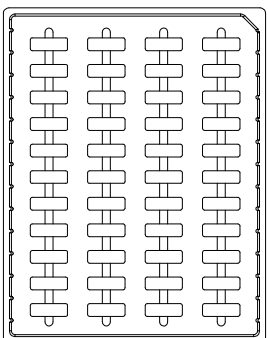
A

B

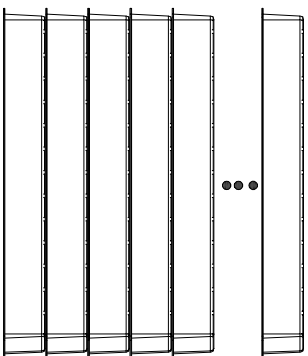
2

1

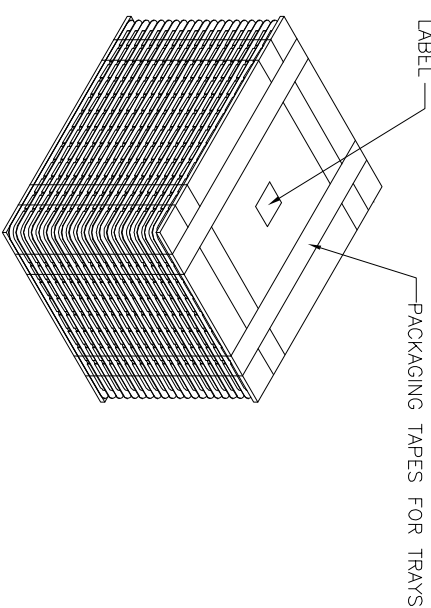
PACKAGE INFORMATION AND LABEL



1. PRODUCTS IN TRAYS

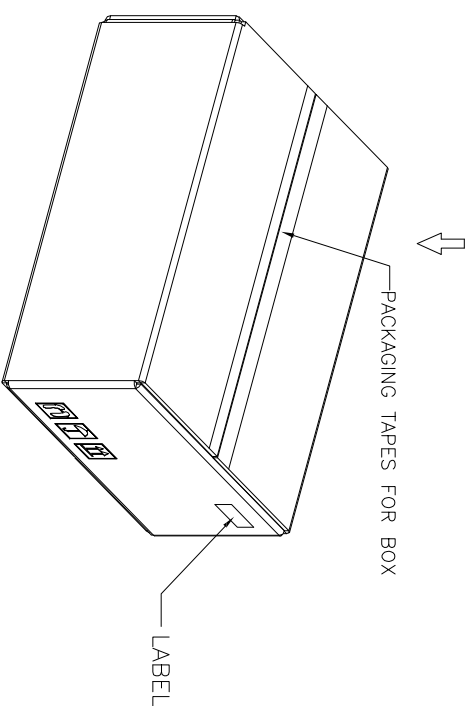


2. TRAYS OVERLAY:
(THE NEXT TRAY NEED ROTATE 180 DEGREE AND PUT IT ON PREVIOUS TRAY)
(相邻两个吸塑间水平方向成180度摆放)

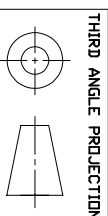


3. LABEL & PACKAGING TAPES FOR TRAYS:

PACKAGING LISTS	
ITEM	Q'TY
PRODUCT	572 PCS
TRAY	44 PCS
BOX(L340*W265*H200MM)	1 PCS
LABLE	2 PCS
PACKAGING TAPES	13 M (ABOUT)



4. LABEL & PACKAGING TAPES FOR BOX



THIRD ANGLE PROJECTION
DID NOT SCALE DRAWING
DRAWING IS SUBJECT TO CHANGE WITHOUT NOTICE

DIMENSIONS: mm(INCH)

.X40.20 .XXX40.10

.XX40.15

SHEET NO. 4 OF 4

TITLE
SFP+ 1X1 CAGE

PART NO. 201N1Y02001

CND-TEK
深圳磁球达电子有限公司
Shen zhen cnd-tek Electronics Co., Ltd
Web: <http://www.cd-tek.com>

DRW BY: TDNY DATE: 07-01-22

APPD BY: JIM DATE: 07-01-22

DWG NO: SFP10014 REV: A10

