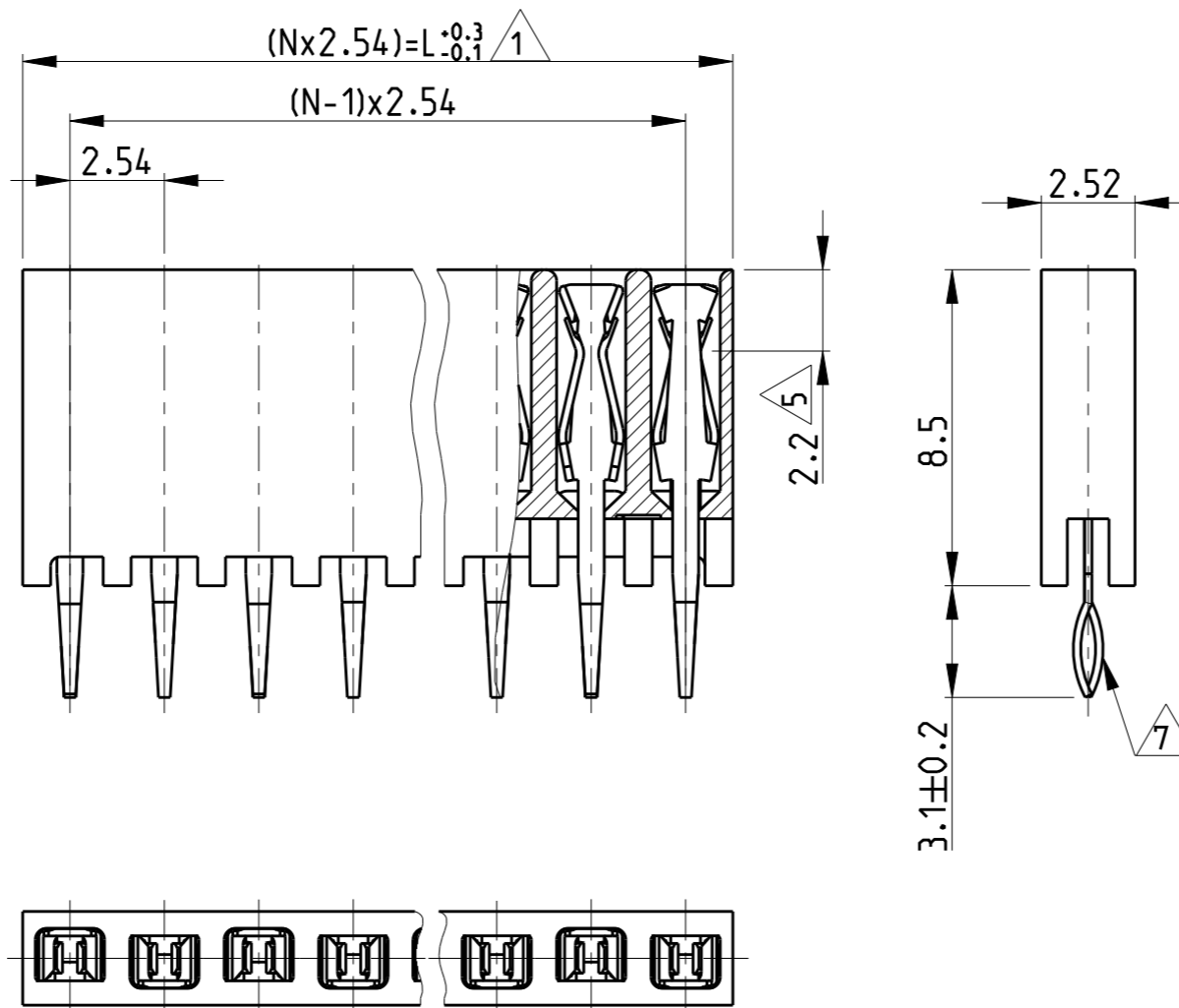


© 2019 TE Connectivity. All Rights Reserved.

REVISIONS

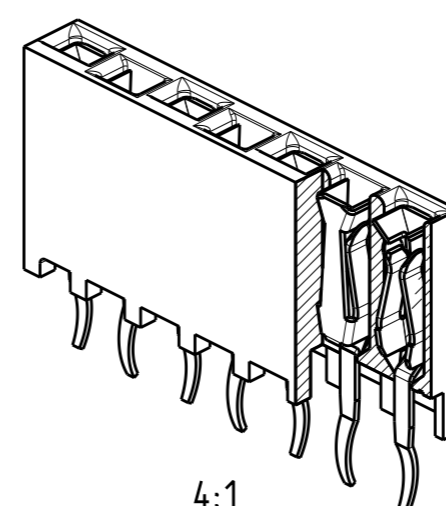
| P | LTR | DESCRIPTION | DATE | DWN | APVD |
|---|-----|----------------------------------|-----------|-----|------|
| | F | PLASTIC MATERIAL SUPPLIER CHANGE | 20MAR2019 | SS | PS |

| POS. | L | PART-NO. | ASSEMBLY |
|------|-------|-----------|-------------|
| 2 | 5.08 | 215299 | -2 |
| 3 | 7.62 | | -3 |
| 4 | 10.16 | | -4 |
| 5 | 12.70 | | -5 |
| 6 | 15.24 | | -6 |
| 7 | 17.78 | | -7 OBSOLETE |
| 8 | 20.32 | | -8 |
| 9 | 22.86 | | -9 OBSOLETE |
| 10 | 25.40 | 1- | -0 |
| 11 | 27.94 | 1- | -1 OBSOLETE |
| 12 | 30.48 | 1- | -2 |
| 13 | 33.02 | 1- | -3 OBSOLETE |
| 14 | 35.56 | 1- | -4 |
| 15 | 38.10 | 1- | -5 OBSOLETE |
| 16 | 40.64 | 1- | -6 |
| 17 | 43.18 | 1- | -7 OBSOLETE |
| 18 | 45.72 | 1- | -8 |
| 19 | 48.26 | 1- | -9 OBSOLETE |
| 20 | 50.80 | 2- | -0 |
| 21 | 53.34 | 2- | -1 |
| 22 | 55.88 | 2- | -2 |
| 23 | 58.42 | 2- | -3 |
| 24 | 60.96 | 2- | -4 OBSOLETE |
| 25 | 63.50 | 2- | -5 OBSOLETE |
| 26 | 66.04 | 2- | -6 OBSOLETE |
| 27 | 68.58 | 2- | -7 |
| 28 | 71.12 | 2- | -8 |
| 29 | 73.66 | 2- | -9 |
| 30 | 76.2 | 3- | -0 OBSOLETE |
| 31 | 78.74 | 3- | -1 OBSOLETE |
| 32 | 81.28 | 3- | -2 |
| 33 | 83.82 | 3- | -3 |
| 34 | 86.36 | 3- | -4 |
| 35 | 88.90 | 3- | -5 |
| 36 | 91.44 | 3- 215299 | -6 OBSOLETE |

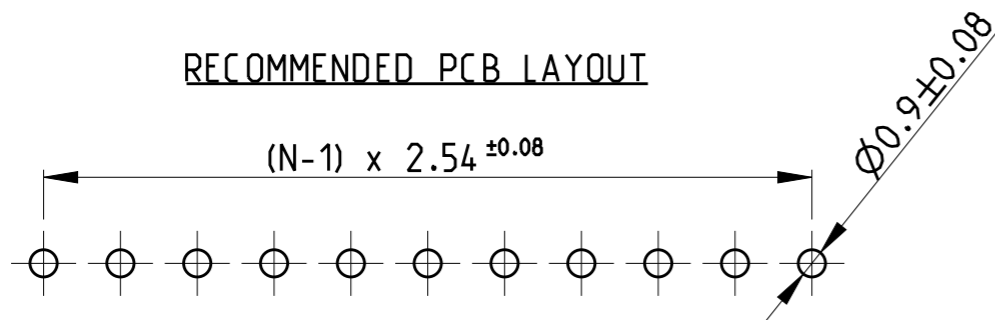


NOTES:

- 1 TO DETERMINE DIMENSIONS TAKE N = NR. OF POS.
FOR EXAMPLE: 10 POS; N x 2.54 = 25.4mm
FOR ORDER NO: USE BASIC - NR. + NR. OF POS.
FOR EXAMPLE: 2POS. = 215299-2 (SHORTEST VERSION)
36POS. = 3-215299-6 (LONGEST VERSION)
- 2 HOUSING MATERIAL: PBT GREEN GLASS FILLED, UL 94V-0
CONTACT MATERIAL: PHOSPHOR BRONZE
- 3 PLATING: UNDERCOATING: 1.3 μm Ni
AT CONT. PLACE: 0.8 μm Au
AT SOLDER-TYNES: 3.0 μm-5.0 μm Sn
- 4 MATES WITH 0.63 SQUARE/ROUND MODU POSTS
- 5 CONTACT POINT
- 6 RECOMMENDED PC BOARD THICKNESS: 1.6mm
- 7 PC-BOARD RETENTION FEATURE
- 8 HV100 CONNECTOR PACKED IN ANTI-STATIC BLISTER TRAY



RECOMMENDED PCB LAYOUT



| | | | | | |
|--|--|------------------------------|--|-----------------|---------------------|
| THIS DRAWING IS A CONTROLLED DOCUMENT. | | DWN L.V.D.HEYDEN 09 JUL 1986 | | | |
| DIMENSIONS: mm | | CHK W.SIMONS | | | |
| TOLERANCES UNLESS OTHERWISE SPECIFIED: ±0.15 | | APVD L.V.SOEST | NAME HV100; VERTICAL; 8.5mm TOP ENTRY: SINGLE ROW; GOLD | | |
| 0 PLC ± | | PRODUCT SPEC 108-19056 | SIZE A3 | CAGE CODE 00779 | DRAWING NO C-215299 |
| 1 PLC ± | | APPLICATION SPEC - | RESTRICTED TO | | |
| 2 PLC ± | | WEIGHT - | SCALE 5:1 SHEET 1 OF 1 REV F | | |
| 3 PLC ± | | CUSTOMER DRAWING | | | |
| 4 PLC ± | | | | | |
| ANGLES ± | | | | | |
| MATERIAL 2 | | | | | |
| FINISH 3 | | | | | |