

NOTES:

Voltage Rating:250V AC/DC

Current Rating:3.0A AC/DC

Dielectric Withstand Voltage:500V AC/minute

Contact Voltage:20M Max.

Insulation Voltage:1000M Min

Operation temperature:-40 °C to +105 °C

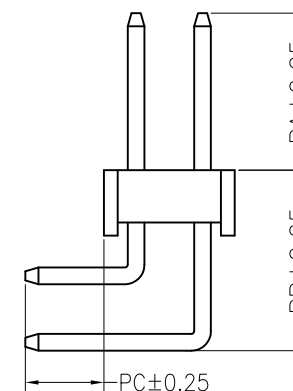
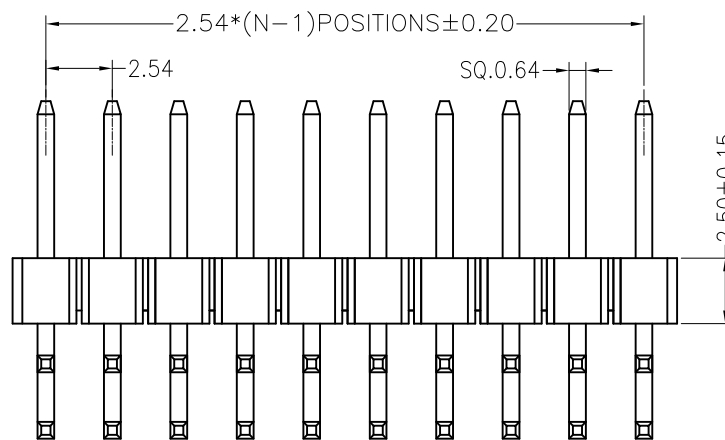
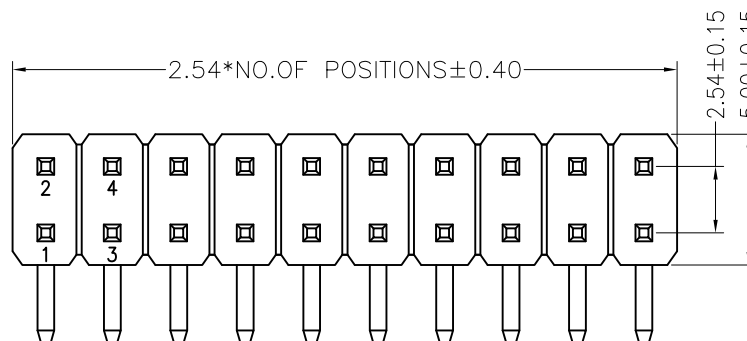
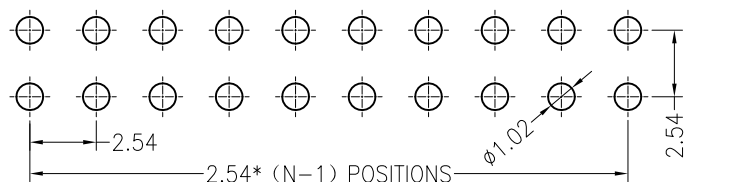
Insulator Material:Polyester.Ul94V-0

Contact Material:Brass

Contact Plating:AuorSn Plated on Nickel Overall

Recommended P.C.B Layout

P.C.B Board Tolerance±0.05



塑胶高度可选 (mm)				常用
H	1.0	1.5	2.0	2.54

Dimension antitheses list				
item	PA	PB	PC	L
Standard	6.00	6.90	3.00	13.80/18.80
Alternate	---	---	---	---

—		new		2015/5/3	A	瀚源
ECN BO.		DESCRIPTION.		DATE.	REV.	
DESIGNED	CHECKED	APPROVAL	DRAWING NUMBER	SCALT: 1/2		SCALE: 3:1
Mikey	Tom	Jerry	PART NAME	2541WR-2xXXP	UNLESS OTHERWISE SPECIFIED,TOLERANCE:	X. ±0.25
			MODEL NAME	2541WR-2xXXP		X.x ±0.20
			3RD ANGLE PROJ	HanElectricity Co.,LTD		X.xx ±0.15
						ANGULAR ±3'
						FILE. NO.