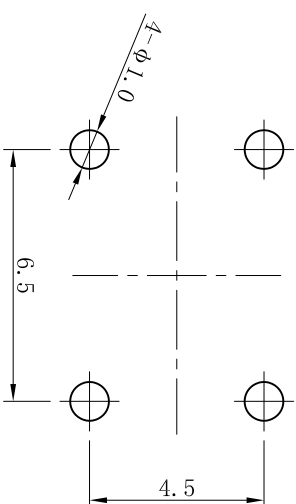
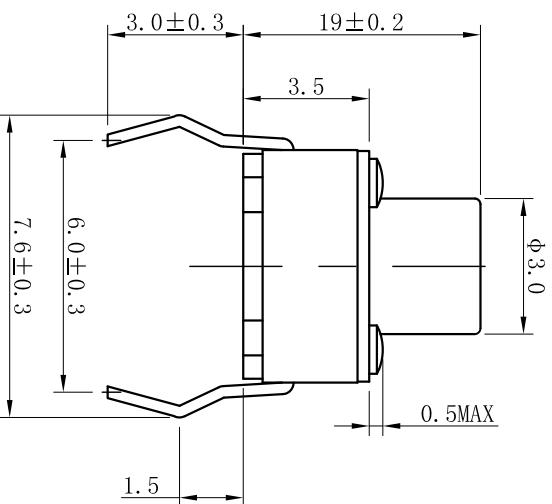
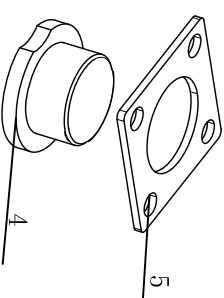


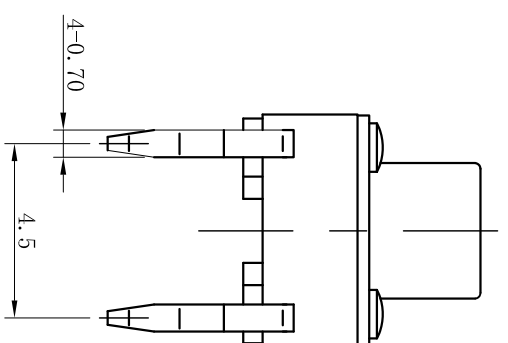
CIRCUIT DIAGRAM



P.C.B LAND DIMENSION



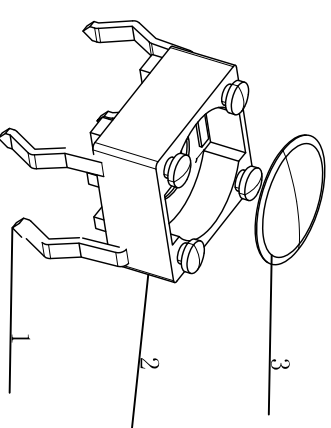
REFERENCE DRAWING



UNSPECIFIED TOLERANCE 未指定的公差	5	CONV. (盖板)	1	COLD PRESSED STEEL PLATE	
ANGULAR (角度)	±0.5°	3 <td>STEM (引脚)</td> <td>1</td> <td>PA66</td>	STEM (引脚)	1	PA66
16 < L ≤ 63	±0.4	2 <td>CONTACT FORM (弹片)</td> <td>1</td> <td>C5210</td>	CONTACT FORM (弹片)	1	C5210
4 < L ≤ 16	±0.3	1 <td>TERMINAL (端子)</td> <td>1</td> <td>BRASS</td>	TERMINAL (端子)	1	BRASS
L ≤ 4	±0.2	NO (序号)	HOUSING (底座)	1	PA66
			PART NAME (部件名)	QTY (数量)	MATERIAL (材料)
					REMARK (备注)

SPECIFICATION

1. Rating: DC 12V 50mA Max
2. Contact resistance: 100mΩ MAX
3. Insulation resistance: 100MΩ Min
4. Dielectric strength: 250VAC/min
5. Operating force: 180gf±50gf
6. Operating life: 50,000 cycles (1Ω Max)



东莞市德松电子有限公司
D-SWITCH ELECTRONICS CO.,LTD

版本	比例尺	日期	品名	图号
VERSION	SCALE	DATE	TITLE	DRAWING NO
A1	1:1	2022.08.29	DS-TVDP01-190BB	1190016
修正端子脚尺寸				
变更说明	核对	绘图		
CHANGE DESCRIPTION	CHECKED BY	DRAWN BY		
日期	批准	日期		
DATE	APPROVED BY	DATE		
2022.08.29		2022.08.29		
ECN NO.				