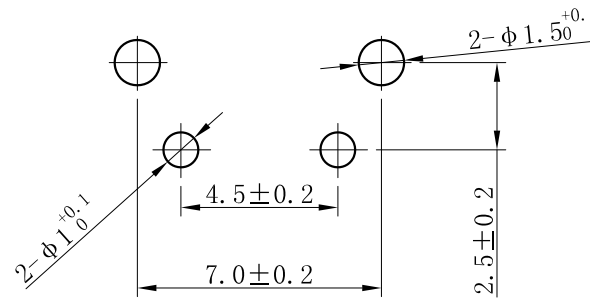
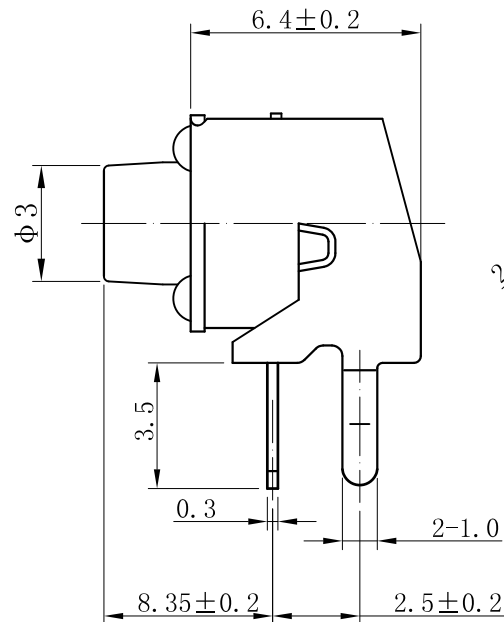
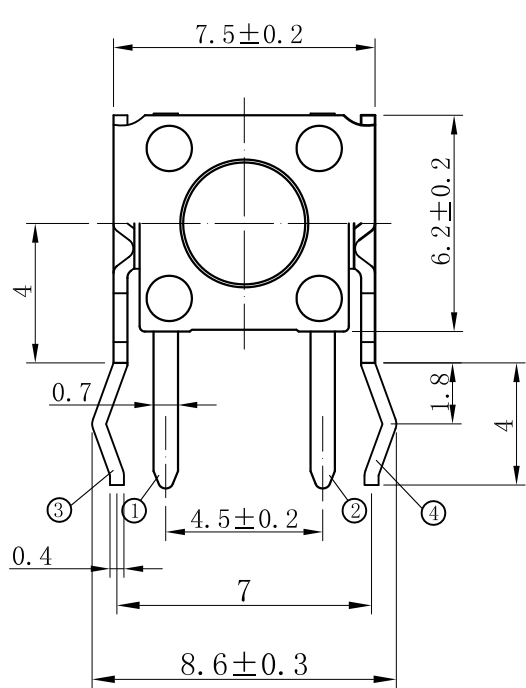
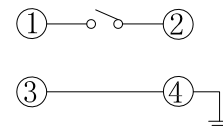


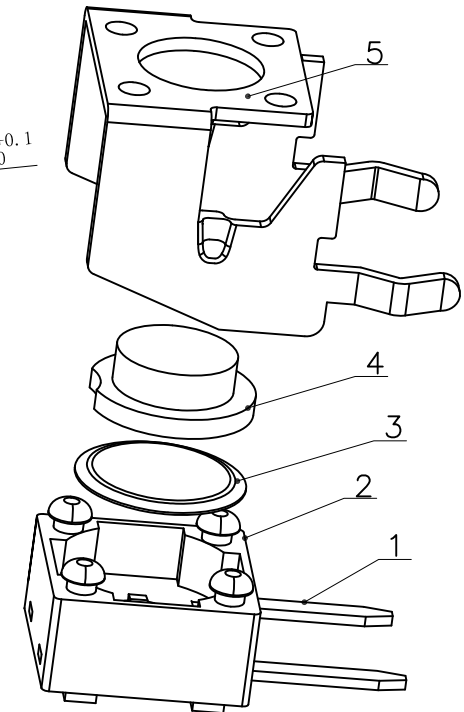
**ROHS**  
Compatible



P.C.B LAND DIMENSION



CIRCUIT DIAGRAM




SPECIFICATION

1. Rating:DC 12V 50mA Max
2. Contact resistance:100mΩ MAX
3. Insulation resistance:100MΩ Min
4. Dielectric strength:250VAC/min
5. Operating force:250gf±50gf
6. Operating life:50,000 cycles

REFERENCE DRAWING

UNSPECIFIED TOLERANCE 未指定的公差	
ANGULAR(角度)	±0.5°
16 < L ≤ 63	±0.4
4 < L ≤ 16	±0.3
L ≤ 4	±0.2

NO(序号)	PART NAME(部件名)	QTY(数量)	MATERIAL(材料)	REMARK(备注)
5	COVER(盖板)	1	COLD PRESSED STEEL PLATE	
4	STEM(按钮)	1	PA66	BLACK
3	CONTACT FORM(弹片)	1	Phosphor Bronze	Silver coated
2	HOUSING(基座)	1	PA66	BLACK
1	TERMINAL(端子)	1	H65	Ag plating

				 <b>D-SWITCH</b> 东莞市德松电子有限公司 D-SWITCH ELECTRONICS CO.,LTD					
版本 VERSION		A0	比例尺 SCALE		1:1	日期 DATE	2022.05.05	品名 TITLE	图号 DRAWING NO
核准			核对			绘图	孙成	DS-THDP08-095CB	XXXXXXX
版本 VER	变更说明 CHANGE DESCRIPTION	日期 DATE	ECN NO.	APPROVED BY	CHECKED BY	DRAWN BY			