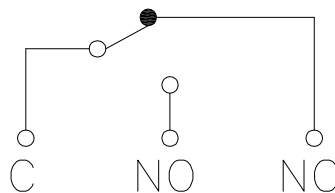
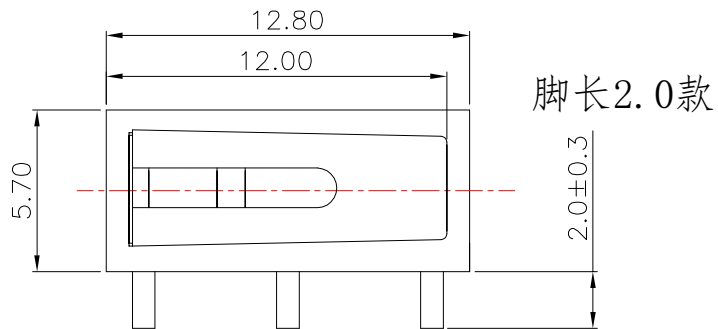
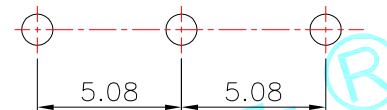


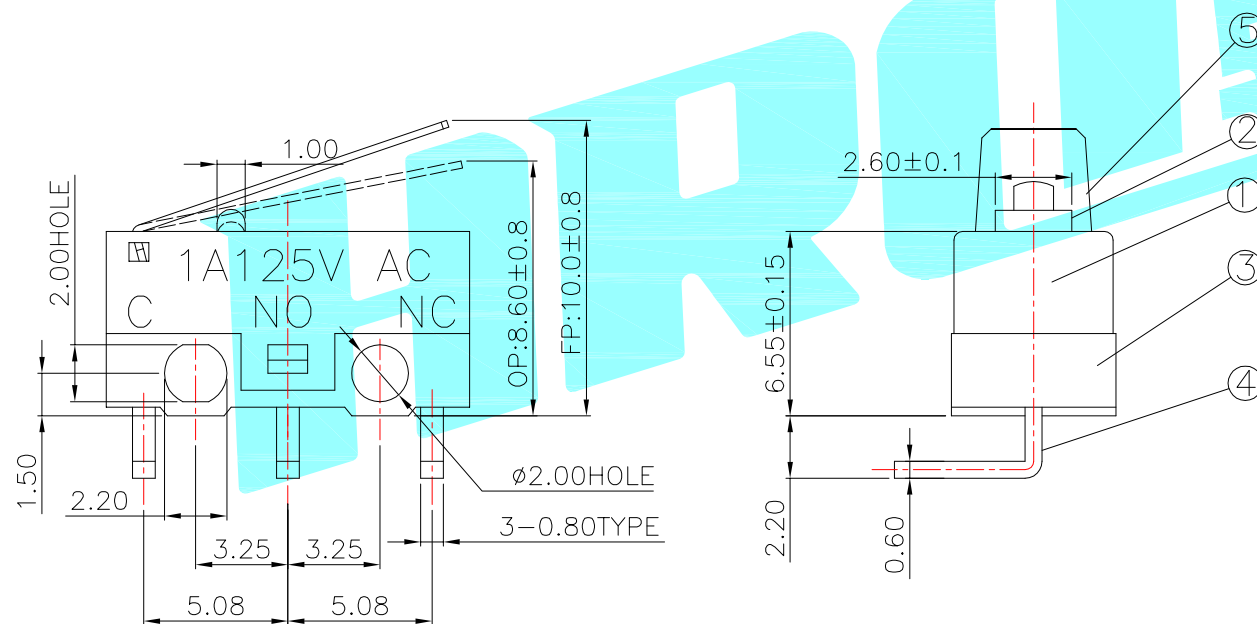
ROHS



Circuit Diagram



P.C.B layout



NOTE:

- 1. Rating: DC30V 0.1A
- 2. OP: 8.60±0.8
- 3. Operating force: 30±15gf
- 4. Mechanical Life: 300,000

ITEM	PART NAME	TER'NO.	QTY.	MATERIAL	FINISHING	REMARK
⑦	Shrapnel	—	1	Phosphor copper	—	—
⑥	Contact	—	1	Silver Alloy	—	—
⑤	Lever	—	1	SUS	—	—
④	Terminal	—	3	C2680(0.50t)	Plating silver	—
③	Housing	—	1	PBT	White	—
②	Knob	—	1	PBT	White	—
①	Cover	—	1	PBT	Black	—

APPROVALS		DATE		HRO 韓榮 ELECTRONICS CO.,LTD		
DRAWN	LIUCAN	2022.6.27		TITLE:	MICRO SWITCHS	
CHECKED				PART NO.	K9-1267B-L2	
APPROVALS				UNIT: mm	SCALE: 1:1	PROJ:
TOLERANCES ARE		30~以上 10~30 5~10 ~ 5	±0.30 ±0.20 ±0.15 ±0.10	ANGLE	±2'	DRAWING NO.
ECN NO.	REV.	DATE.	DESCRIPTION.	CHANGE.	CHECK.	APPRO.

ECN NO.	REV.	DATE.	DESCRIPTION.	CHANGE.	CHECK.	APPRO.
—	A	—	NEW	—	—	—