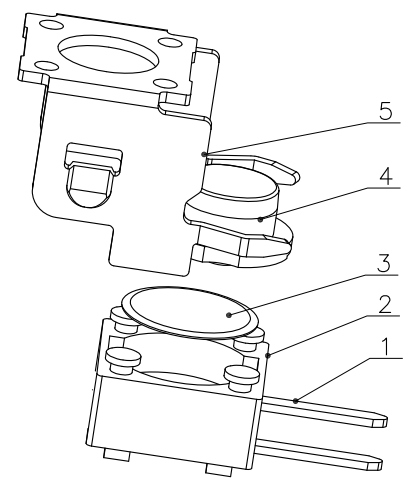
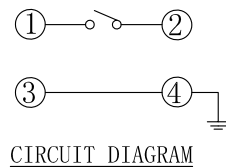
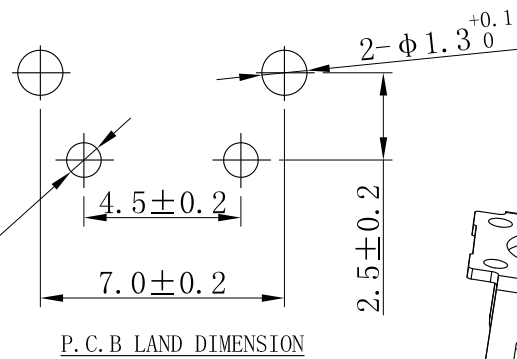
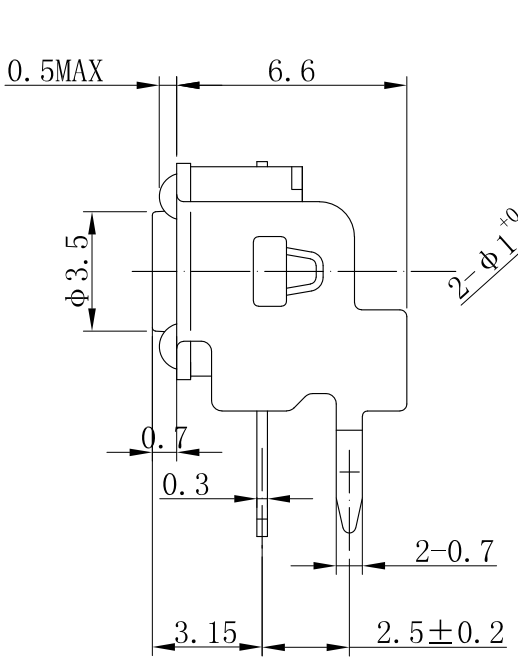
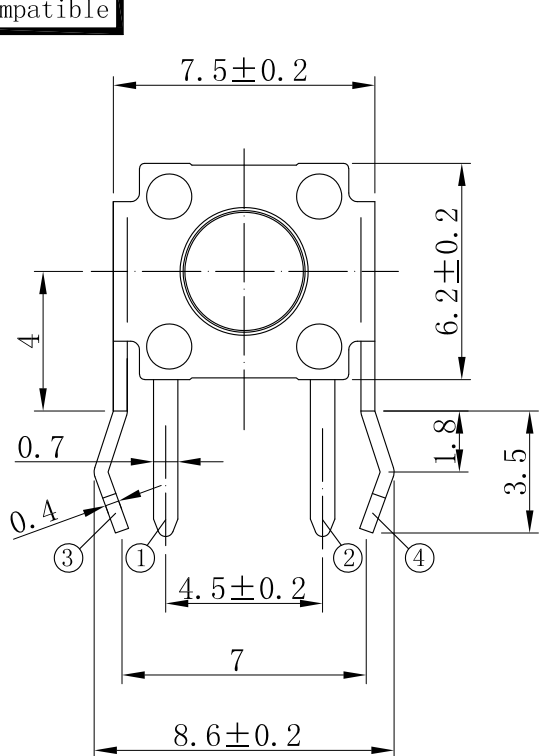


ROHS
Compatible



SPECIFICATION

- 1. Rating: DC 12V 50mA Max
- 2. Contact resistance: 100mΩ MAX
- 3. Insulation resistance: 100MΩ Min
- 4. Dielectric strength: 250VAC/min
- 5. Operating force: 100gf±30gf
- 6. Operating life: 50,000 cycles

REFERENCE DRAWING

UNSPECIFIED TOLERANCE 未指定的公差	5	COVER(盖板)	1	COLD PRESSED STEEL PLATE	Nickel plated tin
ANGULAR(角度) ±0.5°	4	STEM(按钮)	1	PA66	
16 < L ≤ 63 ±0.4	3	CONTACT FORM(弹片)	1	SUS301	Silver coated
4 < L ≤ 16 ±0.3	2	HOUSING(底座)	1	PA66	BLACK
L ≤ 4 ±0.2	1	TERMINAL(端子)	1	H65	Ag plating
	NO(序号)	PART NAME(部件名)	QTY(数量)	MATERIAL(材料)	REMARK(备注)



版本 VERSION	A0	比例尺 SCALE	1:1	日期 DATE	2023.02.01	品名 TITLE	图号 DRAWING NO
核准 APPROVED BY		核对 CHECKED BY		绘图 DRAWN BY	孙成	DS-THDP10-043AB1	XXXXXXX
版本 VER.	变更说明 CHANGE DESCRIPTION	日期 DATE	ECN NO.				