

NOTES:

1. MATERIALS AND FINISHES:

- FERRULE - BRASS, NICKEL PLATING (.000100" MIN. THICK)
- HEX NUT - BRASS, NICKEL PLATING (.000100" MIN. THICK)
- LOCK WASHER - BRASS, NICKEL PLATING (.000100" MIN. THICK)
- BODY - BRASS, NICKEL PLATING (.000100" MIN. THICK)
- CONTACT - BRASS, GOLD PLATING (.000003" MIN. THICK)
- GASKET - SILICONE RUBBER, RED
- SLEEVE - DELRIN, NATURAL
- INSULATOR - DELRIN, NATURAL

2. ELECTRICAL:

- A. IMPEDANCE: 50 OHM
- B. FREQUENCY RANGE: 0-3 GHz
- C. DIELECTRIC WITHSTANDING VOLTAGE: 1500 VRMS, MIN.

3. MECHANICAL:

- A. DURABILITY: 500 CYCLES MIN.
- B. TEMPERATURE RANGE: -40°C TO +85°C

4. CRIMPED FERRULE HEX CRIMP SIZE .178"

5. CRIMPED CONTACT PIN HEX CRIMP SIZE .068"

6. MAX. PANEL THICKNESS=3.5 MM

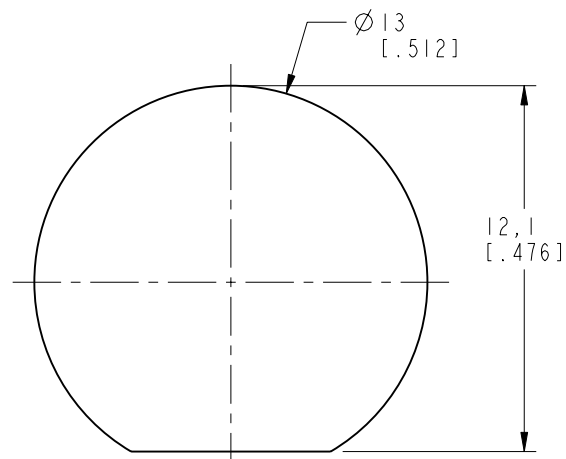
THIRD ANGLE PROJ.

REVISIONS

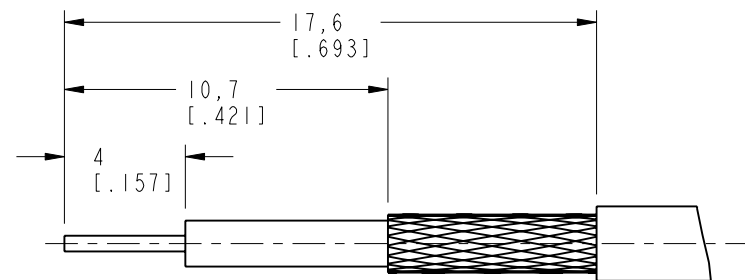
REV	DESCRIPTION	DATE	ECO	APPR
A	OFFICIAL ENG. RELEASE TO MFG.	10/2/91	38063	DR
C	SYNC, REVISED CABLE STRIPPING DIM'S, ADDED NOTES\N/A	21-Sep-16	01902	SH

- THE BNC LUGS ARE ALIGNED WITH THE D-FLAT WITHIN ±5°
- SHOWS CABLE ENTRY DIMENSIONS.

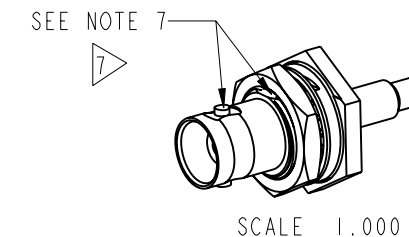
9. PACKAGING:
 A. QUANTITY: SINGLE PACK
 B. BAG TO BE MARKED: AMPHENOL RF
 31-318-RFX
 B6421E1-ND3G-316U-50
 DATE CODE



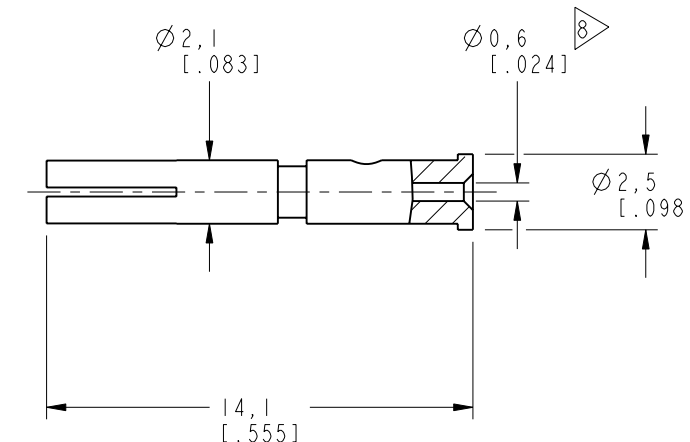
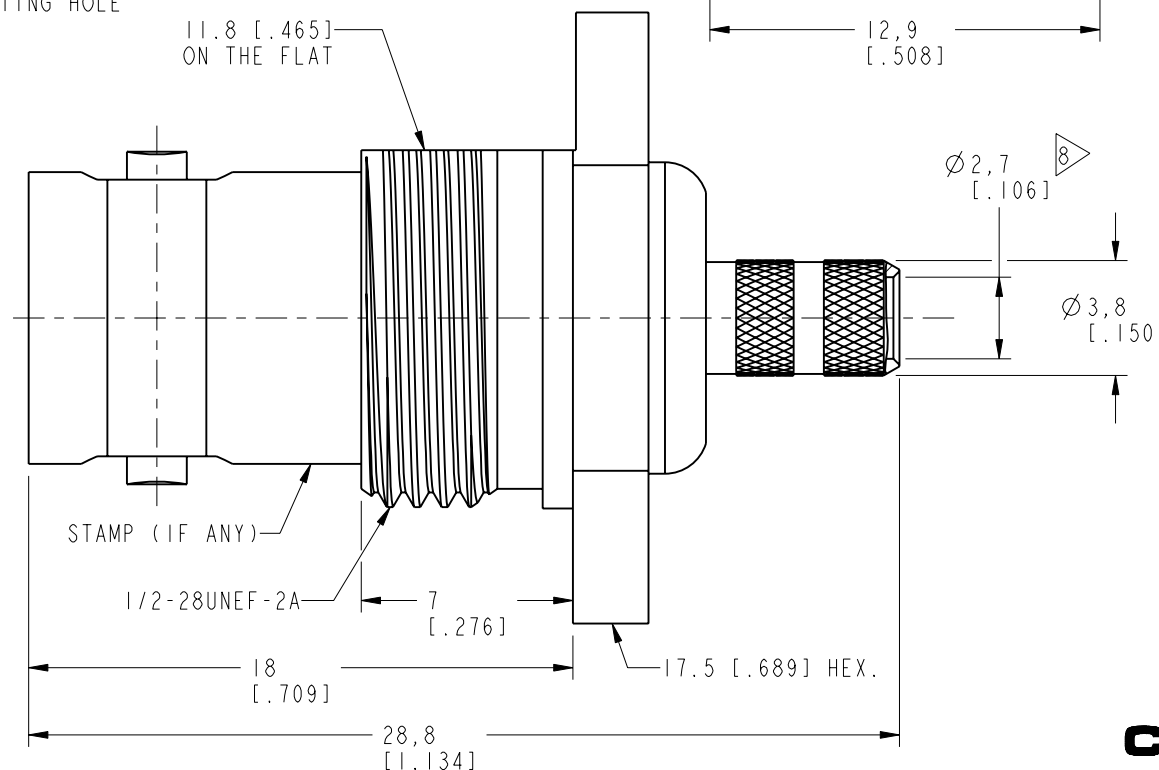
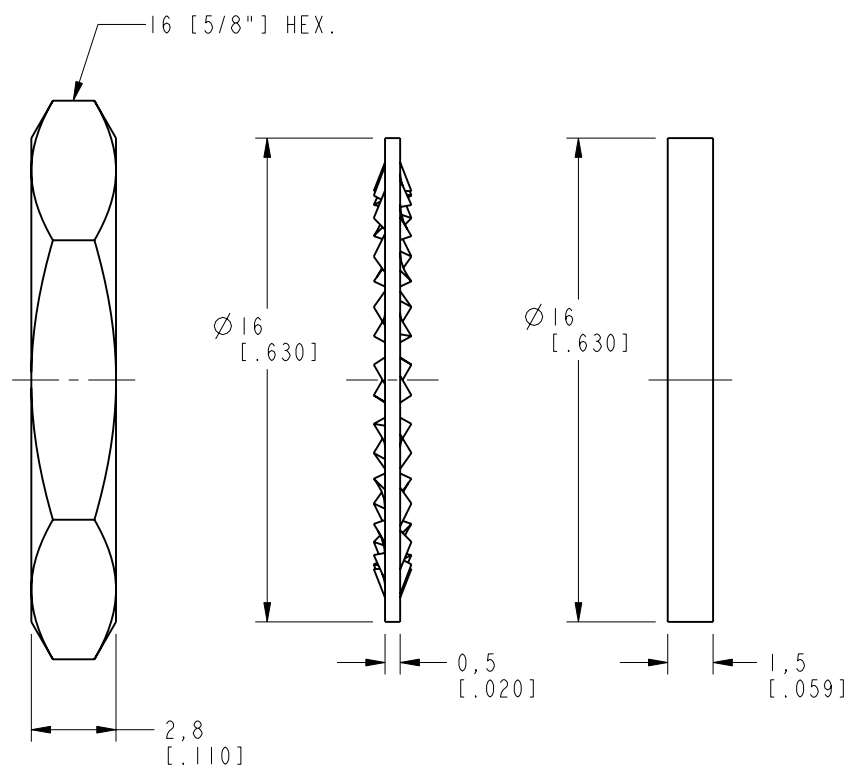
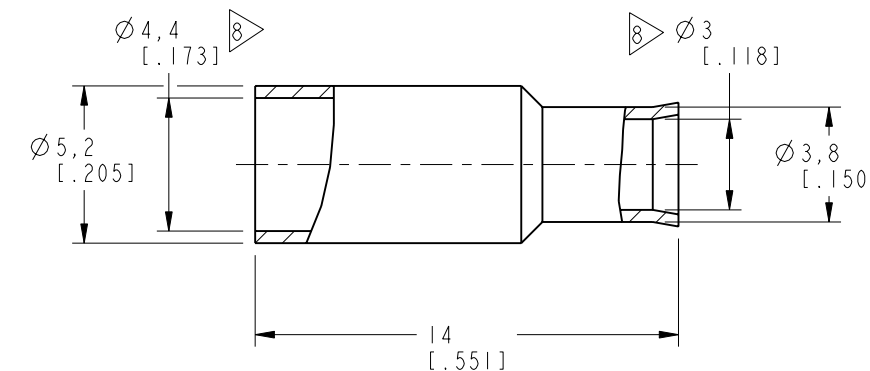
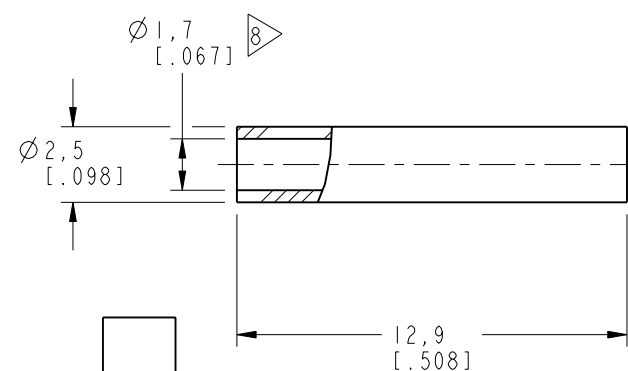
RECOMMENDED MOUNTING HOLE



RECOMMENDED CABLE STRIPPING DIM'S



SCALE 1.000



CUSTOMER OUTLINE DRAWING
 ALL OTHER SHEETS ARE FOR INTERNAL USE ONLY

UNLESS OTHERWISE SPECIFIED, DIMENSIONS ARE IN METRIC AND TOLERANCES ARE:
 <0.5mm ±0.05mm 0.5 - 6mm ±0.1mm 6 - 30mm ±0.2mm 30 - 120mm ±0.3mm ANGLES ±1°

NOTICE - These drawings, specifications, or other data (1) are, and remain the property of Amphenol corp. (2) must be returned upon request; and (3) are confidential and not to be disclosed to any person other than those to whom they are given by Amphenol Corp. the furnishing of these drawings, specifications, or other data by Amphenol Corp., or to any other person for any purpose is not to be regarded by implication or otherwise in any manner licensing, granting rights to permitting such holder or any other person to manufacture, use or sell any product, process or design, patented or otherwise, that may in any way be related to or disclosed by said drawings, specifications, or other data.

MATERIAL	DRAWN M. ZHANG	DATE 20-Sep-16	TITLE BNC BHD CRIMP JACK (FOR RG-174/U, 188A/U 316/U CABLE)	Amphenol RF www.amphenolrf.com
REFERENCE EAR 962370 AND	ENGINEER RICHER	DATE 06-Nov-02		
CONFIGURATION LEVEL:	APPROVED S. HSIEH	DATE 20-Sep-16	SCALE: 4.0:1.0 SHEET 2 OF 3	DRAWING NO. B6421E1-ND3G-316U-50
FINISH	CAD FILE		DWG SIZE B	REV C
				ITEM NO. 016421AAC36ND5F
				PART NO. 31-318-RFX