

RoHS

MATERIAL LIST

TEL:0769-82001899

VER

DESCRIBE

NATE

DRAWN

A0

新图框编制

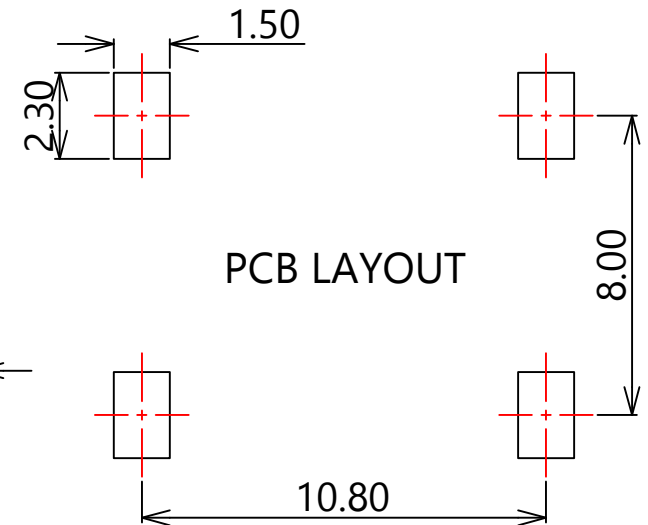
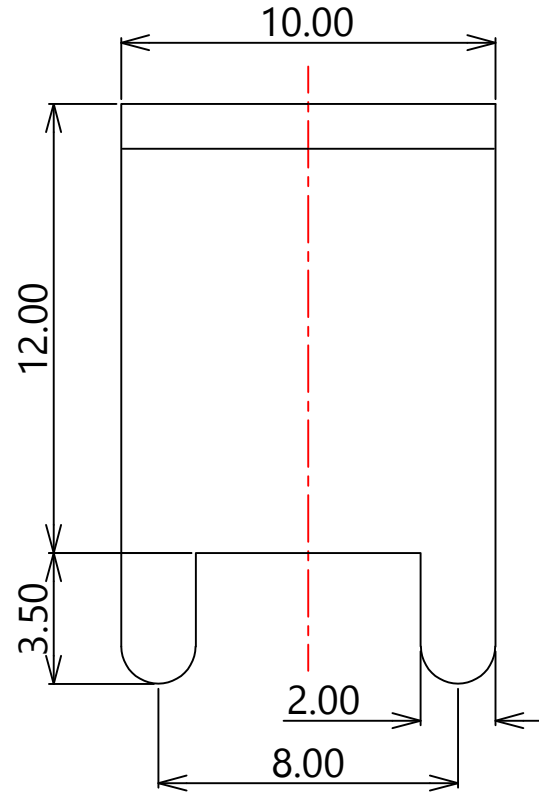
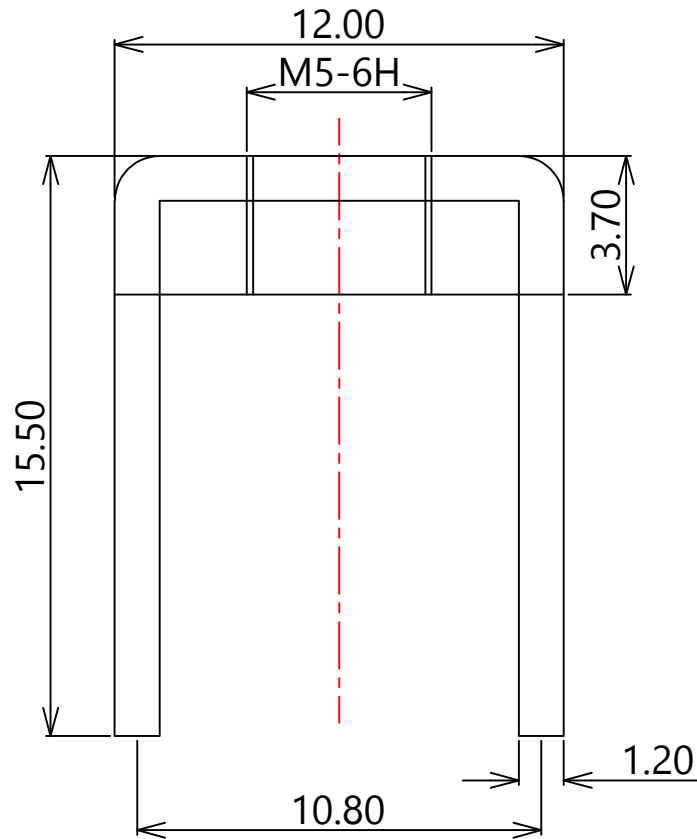
2020/08/29

姜光鸿

NO.	PART	MATERIAL	COATING/COLOR	QTY
1	TERMINAL BODY	BRASS	PLATING TIN	1
2	SPACER	SPCC	PLATING TIN	1

技术要求:

- 1.表面光滑, 无划痕
- 2.材质: 铜片: 黄铜T1.20mm  
垫片: 钢材
- 3.螺钉拧紧力矩: 2.4NM
- 4.额定电流: 60A
- 5.表面处理: 镀雾锡3-5um
- 6.牙孔规格: M5



TOLERANCE UNLESS OTHERWISE

UNIT

mm

XFCN 兴飞连接器有限公司  
XFCN CONNECTORS CO., LTD.

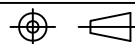
DRAWN

姜光鸿

X. ±0.30  
.X ±0.20  
.XX ±0.08  
.XXX ±0.03

X° ±5°  
.X° ±2°  
.XX° ±1°  
.XXX° ±0.5°

VIEW



SCALE

1:1

TYPE

PCB SOLDERING TERMINAL

CHKD

DATE

2020/08/29

NUMBER

XF-T041

PART.NO.

TT540811

G