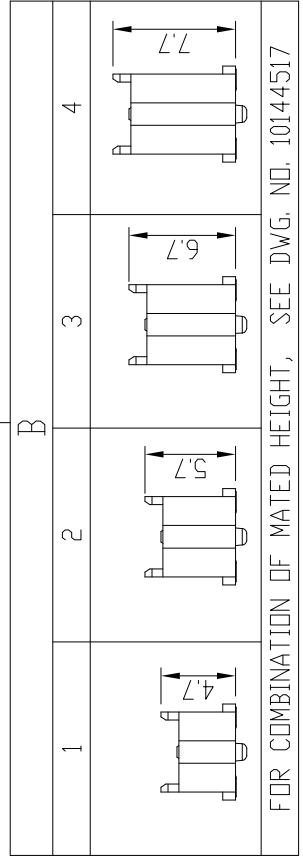


AA	ND. OF POSITIONS
04	2X20
06	2X30
08	2X40
10	2X50
12	2X60

E	PACKAGING
2	T&R WITH METAL CAP
3	T&R WITHOUTL CAP

D	FEATURE	HOLD DOWN
0	YES	NO
2	NO	NO



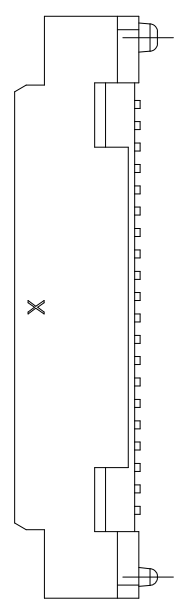
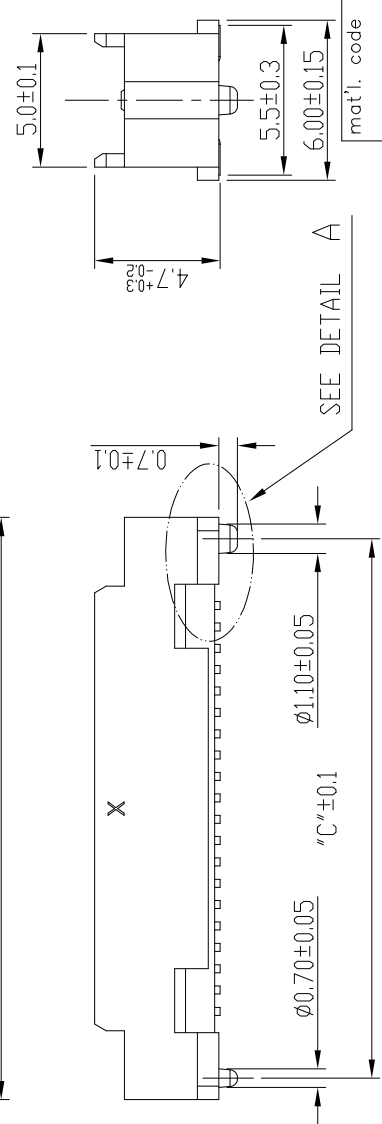
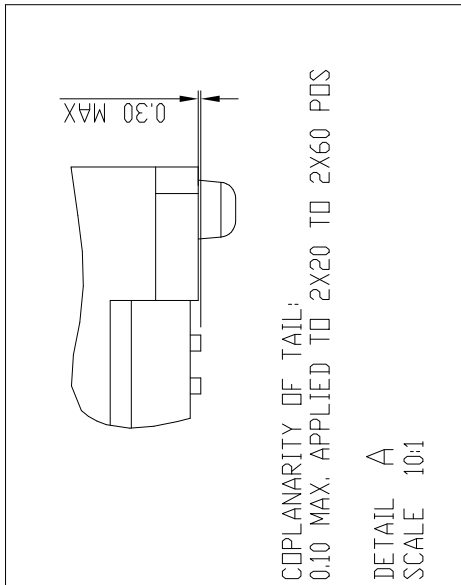
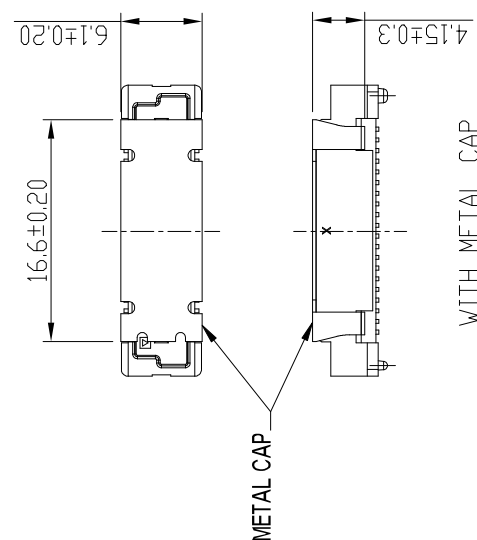
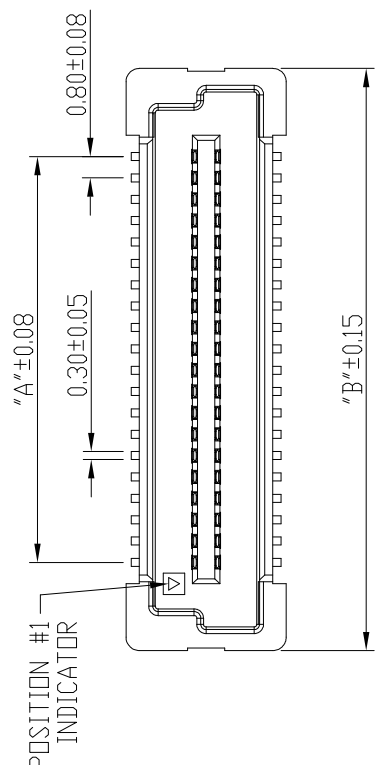
C	PLATING	FF
8	GOLD FLASH ON CONTACT AREA ; PURE MATT TIN 2.5um MIN ON SOLDER TAIL; NICKEL UNDERPLATE OVERALL 1.27um. (LEADFREE PLATING)	LF

- NOTE:
1. MATERIAL:
HOUSING: GF. LCP, NATURAL, UL94-V0
TERMINAL: COPPER ALLOY
 2. PLATING: AS SHOWN IN TABLE.
 3. SEE GS-12-1424 FOR PRODUCT SPEC.
 4. THIS PRODUCT MEETS THE EUROPEAN UNION DIRECTIVES AND OTHER COUNTRY REGULATIONS AS DESCRIBED IN GS-22-008.
 5. THE HOUSING WILL WITHSTAND EXPOSURE UP TO 260~ PEAK TEMPERATURE FOR 30 SECONDS IN A CONVECTION, INFRA-RED OR VAPOR PHASE REFLOW OVEN.

mat'l. code		surface	tolerance	projection	product family																			
ISO 1302	ISO 406	ISO 1101	ISO 1101	BERGSTAK																				
tr	ecn no	dr	date	tolerances unless otherwise specified	angles																			
A	ELX-N-28149	Bob	07/05/16	.0±.2	linear																			
B	ELX-N-37751	Bob	10/13/17	.00±.15	0°±3°																			
C	ELX-N-37751	Bob	02/22/19	.000±.10	scale 1:1																			
sheet index	revision	A	B	C	dr	Bob	Gu	07/05/17	engr	Bob	Gu	02/22/19	chr	LQ	Lei	02/22/19	appd	Tim	Yao	02/22/19	Amphenol FCI	dwg no	sheet 1 of 6	size
1~6	1~6	1~6	1~6	1~6	1~6	1~6	1~6	1~6	1~6	1~6	1~6	1~6	1~6	1~6	1~6	1~6	1~6	1~6	1~6	1~6	1~6	10144518	A3	
																						BERGSTAK 0.8MM	Product Customer Drawing	

1 2 3 4 5 6

PRODUCT NO.	ND. OF POSITION	DIMENSION		
		A	B	C
10144518-041***	2X20	15.2	21.8	20.2
10144518-061***	2X30	23.2	29.8	28.2
10144518-081***	2X40	31.2	37.8	36.2
10144518-101***	2X50	39.2	45.8	44.2
10144518-121***	2X60	47.2	53.8	52.2

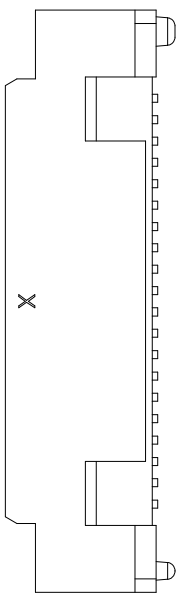
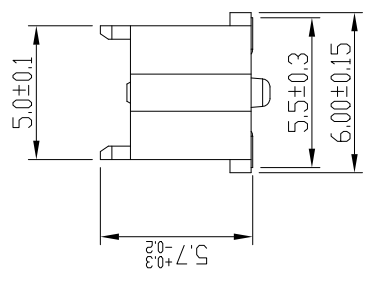
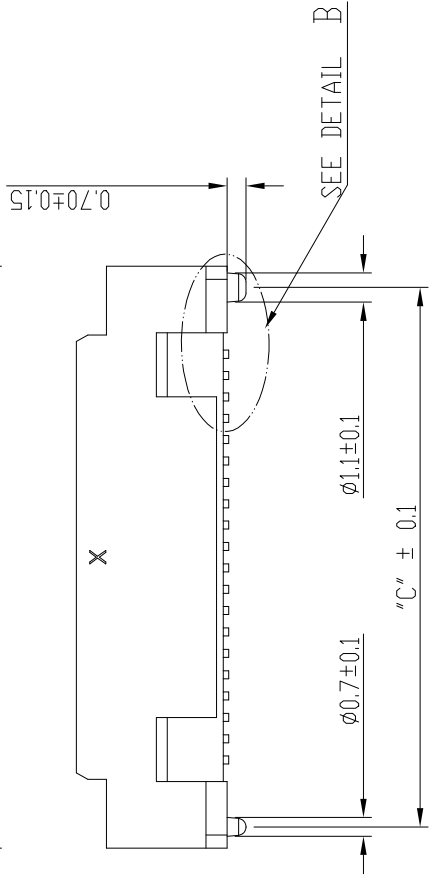
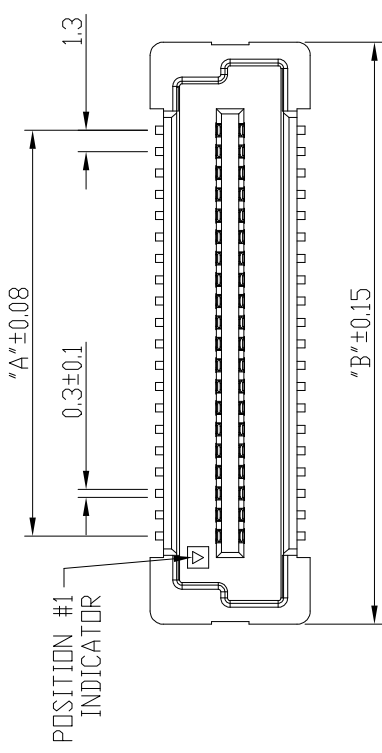
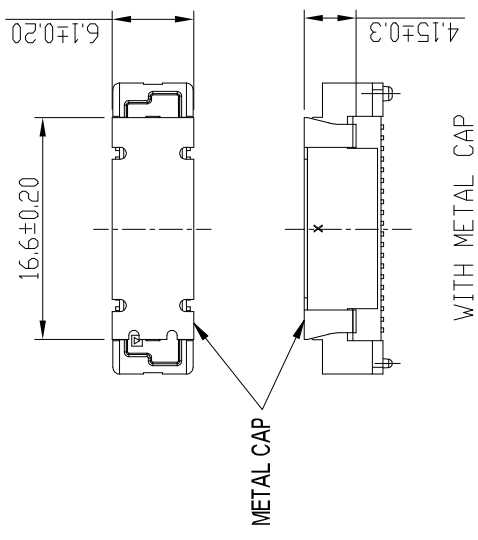


PLUG 1

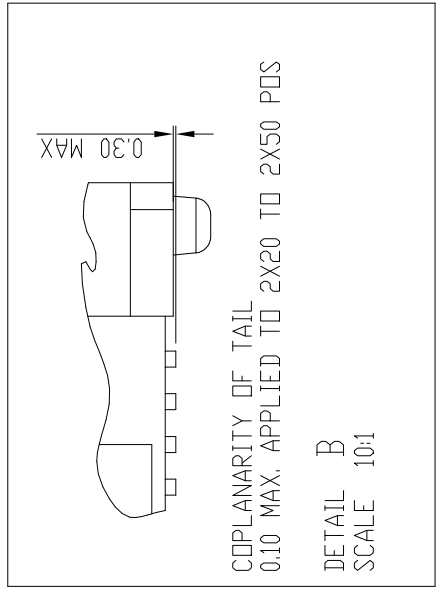
mat'l. code		surface	tolerance	projection	product family
ISO 1302	ISO 406	ISO 1101	ISO 1101	ISO 1101	BERGSTAK
tolerances unless otherwise specified		linear		mm	title
angles	.04±.2	.00±.15	scale 1:1	PLUG ASSY	
0°±3'		.000±.10		BERGSTAK 0.8MM	
dr	Bob Gu	07/05/17		dwg no	sheet 2 of 6 size
engr	Bob Gu	02/22/19		10144518 A3	
chr	LQ Lei	02/22/19		type Product Customer Drawing	
appd	Tim Yao	02/22/19			
sheet index	revision A	B	C		
1~6	1~6	1~6	1~6		

1 2 3 4 5 6

PRODUCT NO.	NO. OF POSITION	DIMENSION		
		A	B	C
10144518-042***	2X20	15.2	21.8	20.2
10144518-062***	2X30	23.2	29.8	28.2
10144518-082***	2X40	31.2	37.8	36.2
10144518-102***	2X50	39.2	45.8	44.2



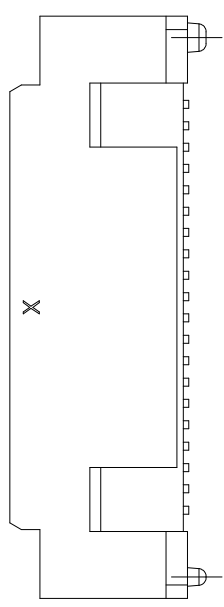
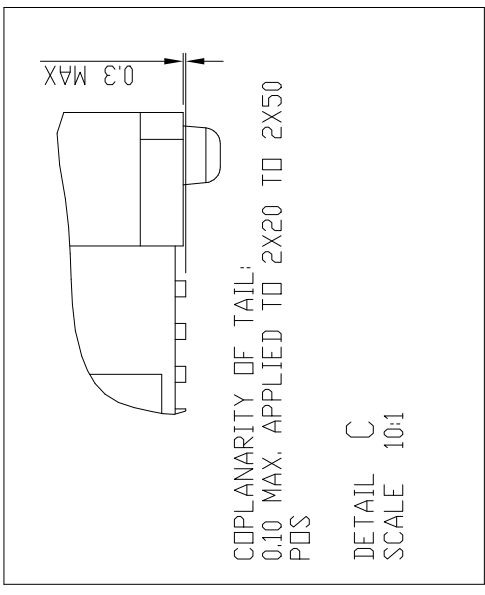
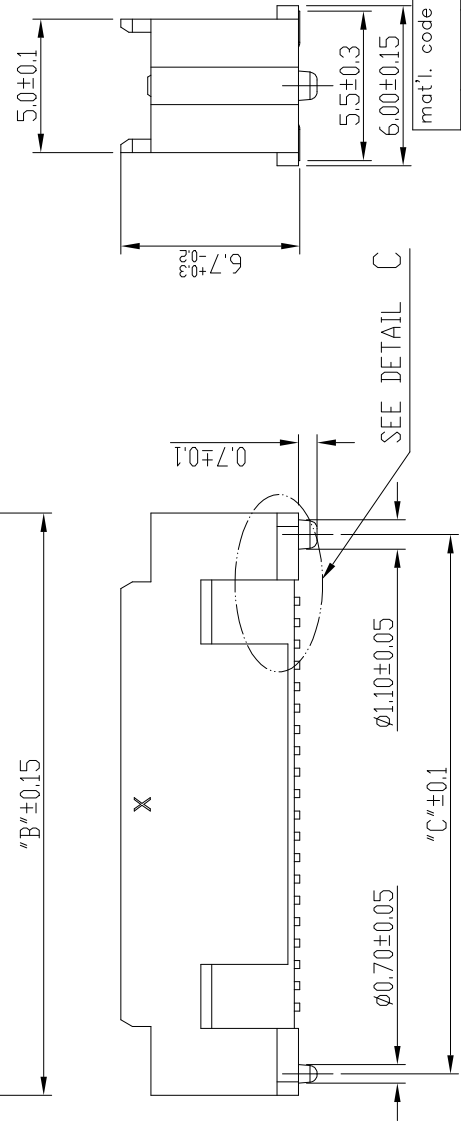
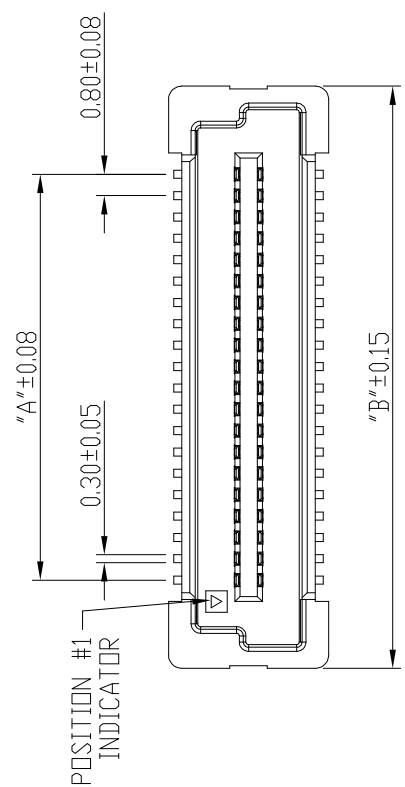
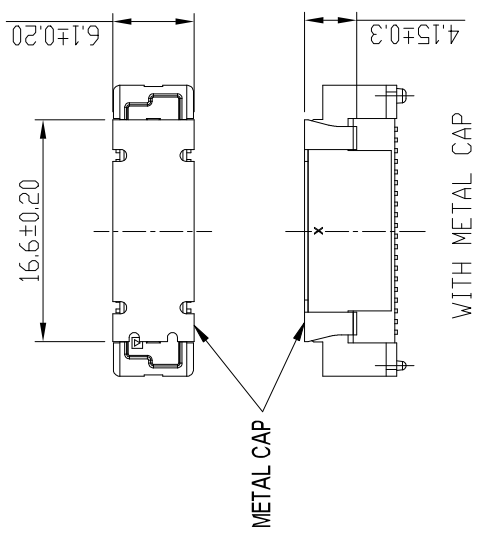
PLUG 2



mat'l. code		surface	tolerance	projection	product family
ISO 1302		ISO 406	ISO 1101	BERGSTAK	
tr ecn no dr date		tolerances unless otherwise specified		title	
c		linear		PLUG ASSY	
		angles		BERGSTAK 0.8MM	
		0°±3'		dwg no	sheet 3 of 6
		.00±.10		10144518	A3
		.00±.15		type	Product Customer Drawing
		.00±.10		scale	1:1
		dr		Amphenol	FCI
		engr		Bob Gu	02/22/19
		chr		LQ Lei	02/22/19
		appd		Tim Yao	02/22/19
sheet		revision	A	B	C
index		sheet	1~6	1~6	1~6

1 2 3 4 5 6

PRODUCT NO.	ND. OF POSITION	DIMENSION		
		A	B	C
10144518-043***	2X20	15.2	21.8	20.2
10144518-063***	2X30	23.2	29.8	28.2
10144518-083***	2X40	31.2	37.8	36.2
10144518-103***	2X50	39.2	45.8	44.2



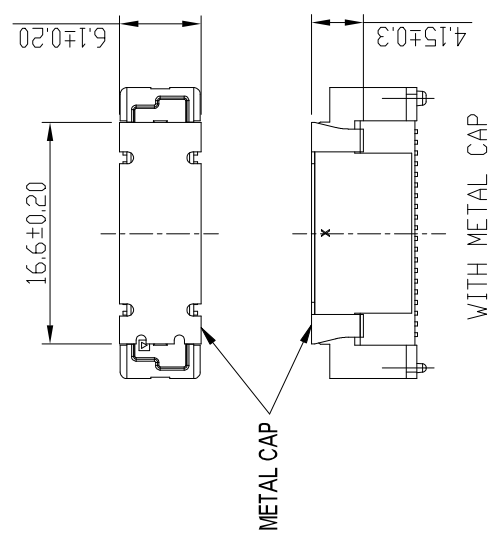
PLUG 3

mat'l. code	surface	tolerance	projection	product family
	ISO 1302	ISO 406	ISO 1101	BERGSTAK
ltr	ecn	no dr	date	title
C				PLUG ASSY
				BERGSTAK 0.8MM
				dwg no
				sheet 4 of 6
				size
				A3
				type
				Product Customer Drawing
sheet	revision	A	B	
index	sheet	1~6	1~6	

Amphenol FCI

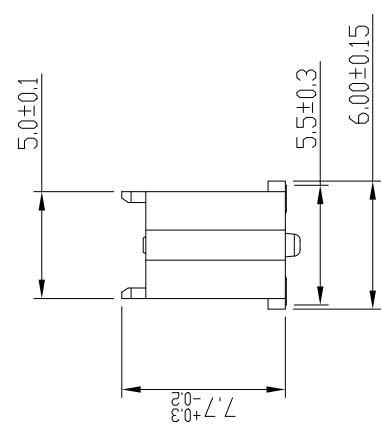
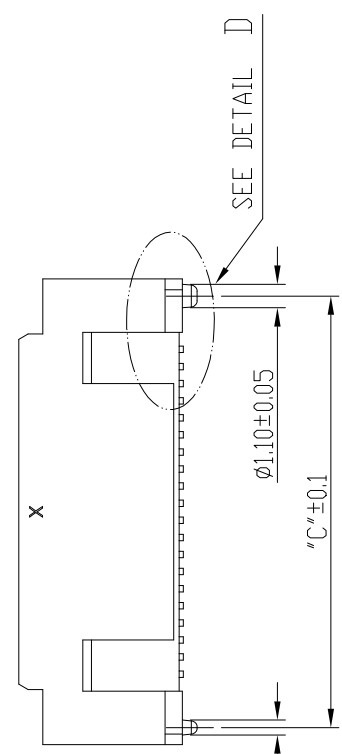
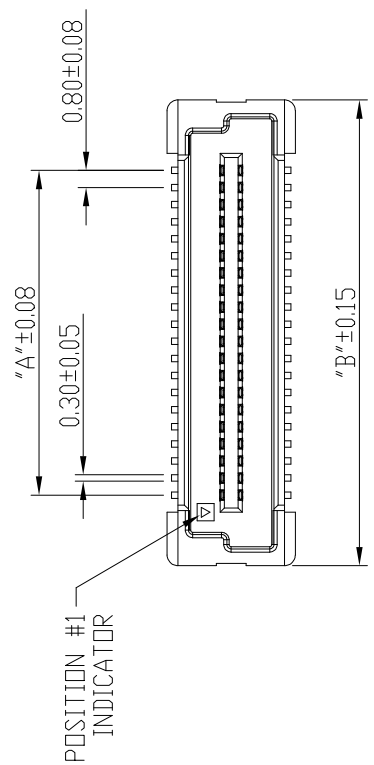
1 2 3 4 5 6

PRODUCT NO.	ND. OF POSITION	DIMENSION		
		A	B	C
10144518-044***	2X20	15.2	21.8	20.2
10144518-064***	2X30	23.2	29.8	28.2
10144518-084***	2X40	31.2	37.8	36.2
10144518-104***	2X50	39.2	45.8	44.2



COPLANARITY OF TAIL:
0.10 MAX. APPLIED TO 2X20 TO 2X50 POS

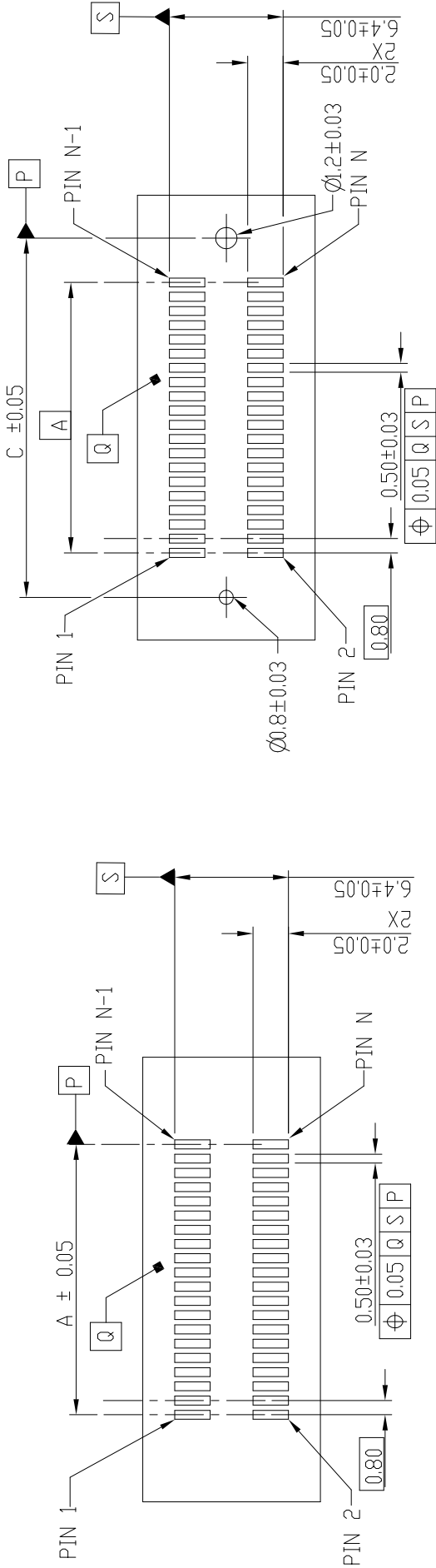
DETAIL D
SCALE 10:1



SEE DETAIL DD
PLUG 4

mat'l. code		surface	tolerance	projection	product family
ISO 1302	ISO 406	ISO 1101	ISO 1101	BERGSTAK	BERGSTAK
tolerances unless otherwise specified		linear		mm	title
angles	.0±.2	.00±.15		scale 1:1	PLUG ASSY
0°±3'		.000±.10			BERGSTAK 0.8MM
dr	Bob Gu	07/05/17		sheet 5 of 6	size
engr	Bob Gu	02/22/19		10144518	A3
chr	LQ Lei	02/22/19			type
appd	Tim Yao	02/22/19			Product Customer Drawing
sheet index	revision	A	B	C	
	sheet	1~6	1~6	1~6	

FOR PLUG 1/2/3/4



RECOMMENDED PCB LAYOUT WITHOUT PEG AND HOLDDOWN FOR
 NO. OF POS 2X20, 2X30, 2X40, 2X50, 2X60

RECOMMENDED PCB LAYOUT WITH PEG FOR
 NO. OF POS 2X20, 2X30, 2X40, 2X50, 2X60

mat'l. code		surface		tolerance		projection		product family	
ISO 1302		ISO 406		ISO 1101		BERGSTAK		BERGSTAK	
tolerances unless otherwise specified		.04±.2		mm		title		PLUG ASSY	
angles		linear		.00±.15		BERGSTAK 0.8MM		dwg no	
0°±3'		.000±.10		scale 1:1		sheet6 of 6		size	
dr		Bob Gu		07/05/17		Amphenol FCI		10144518	
engr		Bob Gu		02/22/19		type		Product Customer Drawing	
chr		LQ Lei		02/22/19		A3			
appd		Tim Yao		02/22/19					
sheet index		revision		A B C					
sheet 1~6		sheet 1~6		1~6					