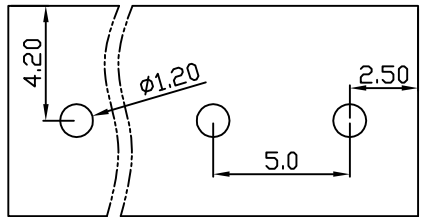
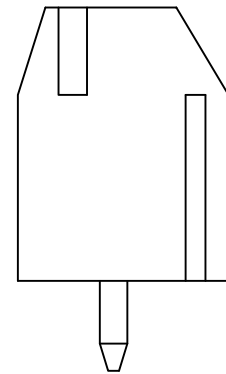
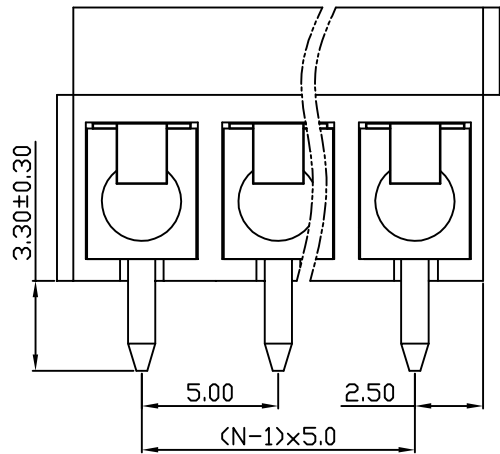
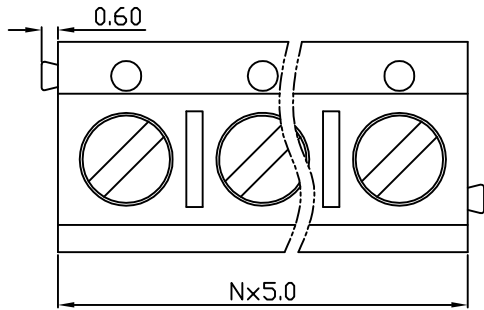
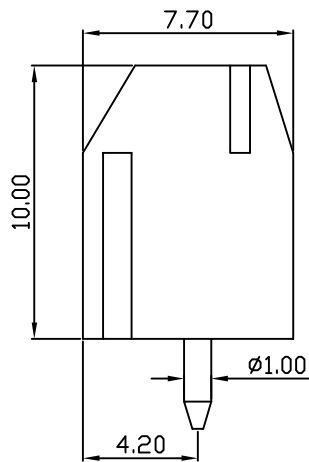


linear dimension(Tolerances Standard GB/T 14486-2008)								—	∇	\perp
variable range	to 6	over 6 to 10	over 10 to 30	over 30 to 60	over 60 to 100	over 100 to 160	over 160 to	to 10	over 10 to 100	over 100 to
tolerance	±0.20	±0.30	±0.50	±0.70	±1.00	±1.30	±1.60	0.10	0.30	0.60



PCB Layout



UL/CUL 技术参数 UL/CUL Technical Data						
等级	Use Group	B	C	D		
额定电压	Rated Voltage [V]	250	-	250		
额定电流	Rated Current [A]	16	-	10		
接线范围	Wire Range	22-14				
单/多芯线	Solid/Stranded [AWG]					
耐电压	Withstanding Voltage	1500V/1Min				
IEC 技术参数 IEC Technical Data						
过电压类别	Overvoltage Category	III	III	II		
污染等级	Contamination Class	3	2	2		
额定电压	Rated Voltage [V]	250	400	630		
额定电流	Rated Current [A]	17.5	17.5	17.5		
额定冲击电压	Impulse withstand voltagea [KV]	4	4	4		
导线截面积	Conductor cross section	1.5				
硬质/柔性导线	Solid/flexible [mm ²]					
材料				Material		
绝缘材料	Insulation Material	PA66				
阻燃等级	Imflammability	UL94V-0				
导体材料	Contact Material	铜合金 Copper alloy				
导体表面镀层	Contactive Coating	镀锡 Sn Plated				
一般参数				Other Data		
间距	Pitch [mm]	5.0				
极数	Poles [P]	02-24				
剥线长度	Stripping Length [mm]	5-6				
螺丝	Screw/扭矩 Torque(Max) [N.m]	M2.5/0.4				
工作温度	Operating temperatur [°C]	-40~+105				
引针尺寸	Pin Dimensions [mm]	Ø1.00				
PCB板孔径	PCB Hole Diameter [mm]	1.20				

DB301V — 5.0 — XXP — C — S/P
 (Series No.) (Pitch) (Poles) Slotted/Phillips
 (Color) : 1.(Green) 2.(Black) 3.(Blue) 4.(Clear) 5.(Gray)
 6.(Orange) 7.(Red) 8.(White) 9.(Yellow)

APPD: JTING Chen 2022.4.17
 CHKD: Duck Mao 2022.4.17
 DRFT: Steven Lu 2022.4.17

DORABO 宁波地博电气有限公司
 Ningbo Dorabo Electric CO., Ltd

NAME: DB301V-5.0-XXP-C-S

	SIZE: A4	$\frac{\text{mm}}{\text{(inch)}}$	REV	TO-1
TYPE: CUSTOMER_DRAWING	SCALE: 1:1	SHEET	1/1	