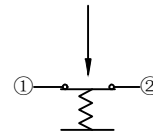


安装尺寸图



电路原理图

Technical requirement

技术要求

1. Rated voltage: 16v (DC)

1. 额定电压: 16v (DC)

Rated current: 0.5A

额定电流: 0.5A

2. Insulation resistance:  $\geq 50M \Omega$

2. 绝缘电阻:  $\geq 50M \Omega$

3. Contact resistance:  $\leq 200M \Omega$

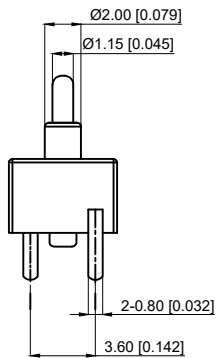
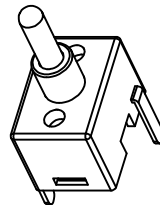
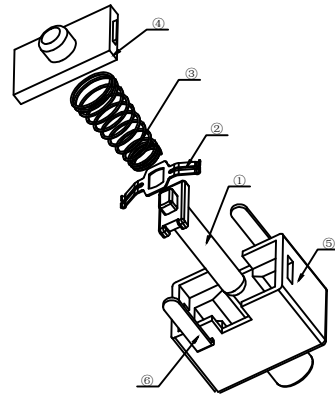
3. 接触电阻:  $\leq 200M \Omega$

4. Action force:  $30g \pm 10g$

4. 动作力:  $30g \pm 10g$

5. Service life: 20000 cycles

5. 使用寿命: 20000次循环



6	Solder foot 焊锡脚	brass 黄铜	2	silver plating 镀银
5	Base 基座	nylon 尼龙	1	Black 黑色
4	lid 盖子	Polycarbon 聚碳	1	Black 黑色
3	Spring 弹簧	steel wire 钢丝	1	
2	reed 簧片	Silver-coated copper 覆银铜	1	silver plating 镀银
1	Press handle 按柄	POM	1	
NO 序号	Part name 部件名	Material 材料	QTY 数量	Remark 备注

A4				
A3				
A2				
A1				
REV	DATE	REVISION	DESCRIPTION	ISSUE



COMMON TOLERANCE

X.XX	$\pm 0.10$
X.X	$\pm 0.15$
X	$\pm 0.25$
ANGULAR	—

UNIT	MM	PROJECTED		PRODUCT NAME:
DRAWN BY	FUYUAN	CHECKED BY	COCO	MODEL NO: TP71012
DATE	2019	APPROVAL B	ALEN	Https: www.rocpcu.tw
<b>ROCPCU TECHNOLOGY CO.,LTD</b>				
<small>Copies are issued in strict confidence and shall not be reproduced or copied, or used as the basic of manufacture or sale of apparatus without permission</small>				