

Technical Requirement

技术要求

1. Rated voltage: 16v(DC)

1. 额定电压: 16v(DC)

Rated current: 0.5A

额定电流: 0.5A

2. Insulation resistance: ≥50M Ω

2. 绝缘电阻: ≥50M Ω

3. Contact resistance: ≤300m Ω

3. 接触电阻: ≤300m Ω

4. Withstand voltage: AC 250V(50Hz)/min

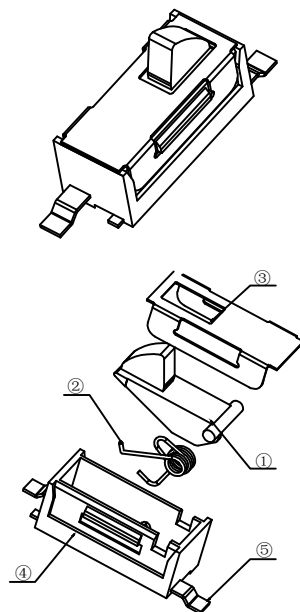
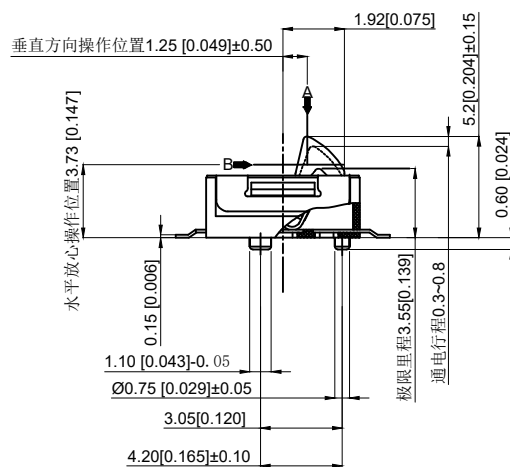
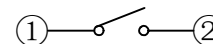
4. 耐压: AC 250V(50Hz)/min

5. Action force: 30g±10g

5. 动作力: 30g±10g

6. Life: 30000time

6. 寿命: 30000次



5	Solder foot 焊锡脚	Phosphorous copper 磷铜	2	Ag plating 镀银
4	Base 基座	LCP	1	BLACK 黑色
3	Iron cover 铁盖	SUS	1	
2	Spring 弹簧	SUS	1	Ag plating 镀银
1	Press handle 按柄	LCP	1	BLACK 黑色
NO 序号	Part name 部件名	Material 材料	QTY 数量	Remark 备注

A4				
A3				
A2				
A1				
REV	DATE	REVISION	DESCRIPTION	ISSUE



COMMON TOLERANCE

X.XX	± 0.10
X.X	± 0.15
X	± 0.25
ANGULAR	—

UNIT	MM	PROJECTED		PRODUCT NAME:
DRAWN BY	FUYUAN	CHECKED BY	COCO	MODEL NO: TP70921
DATE	2019	APPROVAL B	ALEN	Https: www.rocpcu.tw
ROCPCU TECHNOLOGY CO.,LTD				
Copies are issued in strict confidence and shall not be reproduced or copied, or used as the basic of manufacture or sale of apparatus without permission				