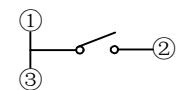
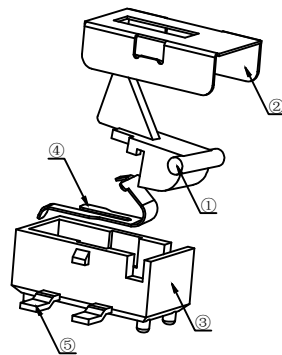
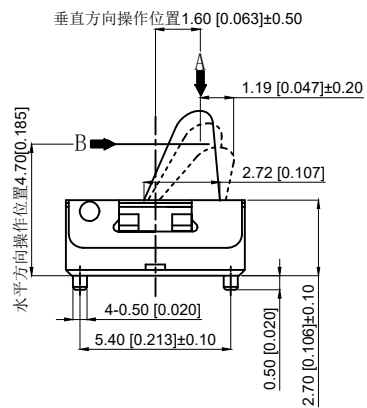


PCB board installation dimension drawing
PCB板安装尺寸图

Technical Requirement

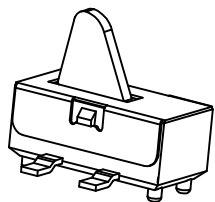
技术要求

1. Rated voltage: 16V (DC)
1. 额定电压: 16V(DC)
- Rated current: 0.5A
额定电流: 0.5A
2. Insulation resistance: ≥ 50M Ω
2. 绝缘电阻: ≥50MΩ
3. Contact resistance: ≤ 200m Ω
3. 接触电阻: ≤200mΩ
4. Withstand voltage: AC 250V
4. 耐压: AC 250V
5. Operating force: 30g ± 10g
5. 操作力: 30g±10g
6. Service life: 20000 times
6. 寿命: 20000次



The circuit principle diagram
电路原理图

5	Contact foot 接触脚	Brass	3	Ag plating 镀银
4	Shrapnel 弹片	Brass	1	Ag plating 镀银
3	Base 基座	LCP	1	Black 黑色
2	Iron shell 铁壳	SUS	1	Black 黑色
1	Press handle 按柄	PA46	4	Black 黑色
NO 序号	Part name 部件名	Material 材料	QTY 数量	Remark 备注



A4				
A3				
A2				
A1				
REV	DATE	REVISION	DESCRIPTION	ISSUE



COMMON TOLERANCE

X.XX	± 0.10
X.X	± 0.15
X	± 0.25

ANGULAR

UNIT	MM	PROJECTED		PRODUCT NAME:
DRAWN BY	FUYUAN	CHECKED BY	COCO	MODEL NO: TP70821
DATE	2019	APPROVAL B	ALEN	Https: www.rocpcu.tw
ROCPCU TECHNOLOGY CO.,LTD				
Copies are issued in strict confidence and shall not be reproduced or copied, or used as the basic of manufacture or sale of apparatus without permission				