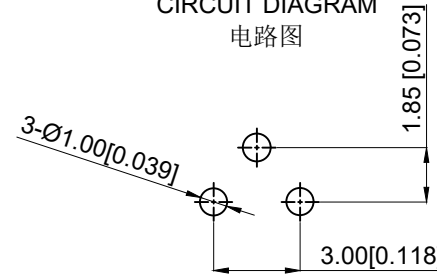


CIRCUIT DIAGRAM  
电路图

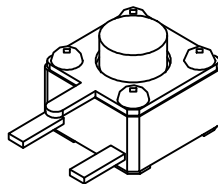
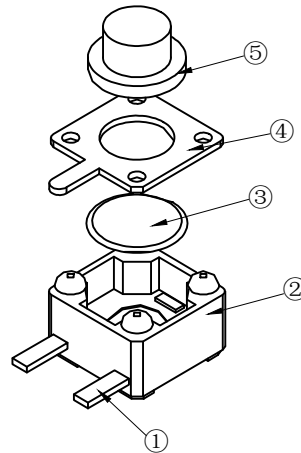
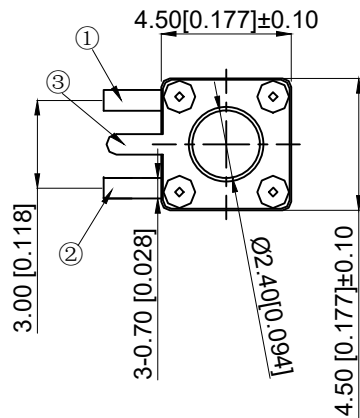


PCB.WELDING DRAWING  
PCB.焊接图

The Main Thchnology Performance

主要技术参数 性能

- 1.Rate voltage.current:50mA DC12V  
1.额定电流.电压: 50mA DC12V
- 2.Contact resistance:≤100mΩ  
2.接触电阻: ≤100mΩ
- 3.Insulated resistance:≥100MΩ  
3.绝缘电阻: ≥100MΩ
- 4.Dielectric strength:≥250V AC/1min  
4.介电强度: ≥250V AC/1min
- 5.Travel: 0.20±0.10mm  
5.行程: 0.20±0.10mm
- 6.Operating force: 260±50gf  
6.操作力: 260±50gf
- 7.working temperature: -20℃~ + 80℃  
7.工作温度: -20℃~ + 80℃
- 8.Service life: 200000 times  
8.使用寿命: 200000次



|          |                    |                |           |                           |
|----------|--------------------|----------------|-----------|---------------------------|
| 5        | Press handle<br>按柄 | PPA            | 1         | Black<br>黑色               |
| 4        | blind flange<br>盖板 | Brass          | 1         | Copper tin plating<br>镀铜锡 |
| 3        | Shrapnel<br>弹片     | SUS            | 1         | Ag plating<br>镀银          |
| 2        | Pedestal<br>基座     | PPA            | 1         | Black<br>黑色               |
| 1        | Terminal<br>端子     | Brass          | 1         | Ag plating<br>镀银          |
| NO<br>序号 | Part name<br>部件名   | Material<br>材料 | QTY<br>数量 | Remark<br>备注              |

|     |      |          |             |       |
|-----|------|----------|-------------|-------|
| A4  |      |          |             |       |
| A3  |      |          |             |       |
| A2  |      |          |             |       |
| A1  |      |          |             |       |
| REV | DATE | REVISION | DESCRIPTION | ISSUE |



COMMON TOLERANCE

|      |        |
|------|--------|
| X.XX | ± 0.10 |
| X.X  | ± 0.15 |
| X    | ± 0.25 |

ANGULAR

|          |        |            |      |
|----------|--------|------------|------|
| UNIT     | MM     | PROJECTED  |      |
| DRAWN BY | FUYUAN | CHECKED BY | COCO |
| DATE     | 2019   | APPROVAL B | ALEN |

PRODUCT NAME:

MODEL NO: TP11312645

Https: www.rocpcu.tw

**ROCPCU TECHNOLOGY CO.,LTD**

Copies are issued in strict confidence and shall not be reproduced or copied, or used as the basic of manufacture or sale of apparatus without permission