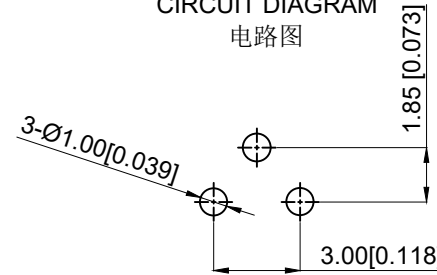


CIRCUIT DIAGRAM  
电路图

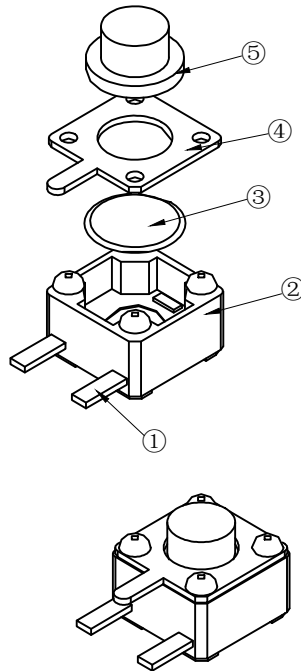
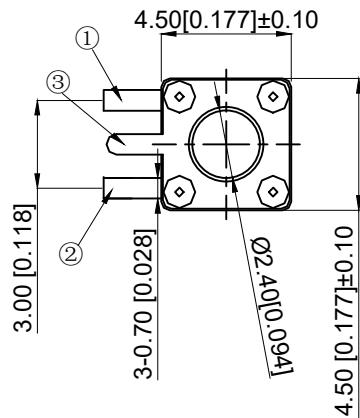


PCB.WELDING DRAWING  
PCB.焊接图

The Main Thchnology Performance

主要技术参数 性能

- 1.Rate voltage.current:50mA DC12V
- 1.额定电流.电压: 50mA DC12V
- 2.Contact resistance:≤100mΩ
- 2.接触电阻: ≤100mΩ
- 3.Insulated resistance:≥100MΩ
- 3.绝缘电阻: ≥100MΩ
- 4.Dielectric strength:≥250V AC/1min
- 4.介电强度: ≥250V AC/1min
- 5.Travel: 0.20±0.10mm
- 5.行程: 0.20±0.10mm
- 6.Operating force: 260±50gf
- 6.操作力: 260±50gf
- 7.working temperature: -20℃~ + 80℃
- 7.工作温度: -20℃~ + 80℃
- 8.Service life: 200000 times
- 8.使用寿命: 200000次



5	Press handle 按柄	PPA	1	Black 黑色
4	blind flange 盖板	Brass	1	Copper tin plating 镀铜锡
3	Shrapnel 弹片	SUS	1	Ag plating 镀银
2	Pedestal 基座	PPA	1	Black 黑色
1	Terminal 端子	Brass	1	Ag plating 镀银
NO 序号	Part name 部件名	Material 材料	QTY 数量	Remark 备注

A4				
A3				
A2				
A1				
REV	DATE	REVISION	DESCRIPTION	ISSUE



COMMON TOLERANCE

X.XX	± 0.10
X.X	± 0.15
X	± 0.25

ANGULAR

UNIT	MM	PROJECTED		PRODUCT NAME:
DRAWN BY	FUYUAN	CHECKED BY	COCO	MODEL NO: TP11312640
DATE	2019	APPROVAL B	ALEN	Https: www.rocpcu.tw
<b>ROCPCU TECHNOLOGY CO.,LTD</b>				
Copies are issued in strict confidence and shall not be reproduced or copied, or used as the basic of manufacture or sale of apparatus without permission				