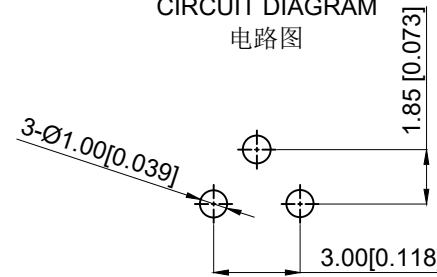


CIRCUIT DIAGRAM
电路图

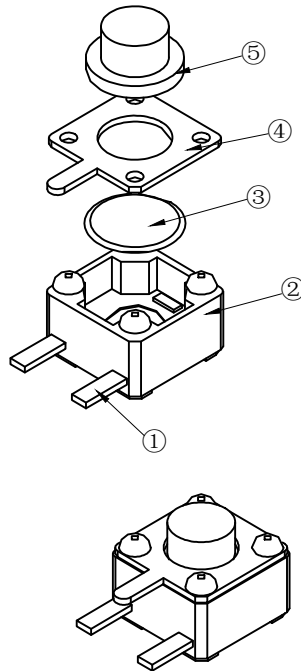
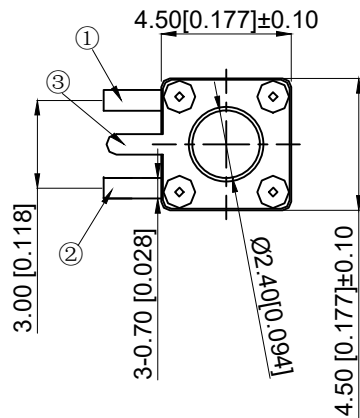


PCB.WELDING DRAWING
PCB.焊接图

The Main Thchnology Performance

主要技术参数 性能

- 1.Rate voltage.current:50mA DC12V
- 1.额定电流.电压: 50mA DC12V
- 2.Contact resistance:≤100mΩ
- 2.接触电阻: ≤100mΩ
- 3.Insulated resistance:≥100MΩ
- 3.绝缘电阻: ≥100MΩ
- 4.Dielectric strength:≥250V AC/1min
- 4.介电强度: ≥250V AC/1min
- 5.Travel: 0.20±0.10mm
- 5.行程: 0.20±0.10mm
- 6.Operating force: 260±50gf
- 6.操作力: 260±50gf
- 7.working temperature: -20℃~ + 80℃
- 7.工作温度: -20℃~ + 80℃
- 8.Service life: 200000 times
- 8.使用寿命: 200000次



| | | | | |
|----------|--------------------|----------------|-----------|---------------------------|
| 5 | Press handle 按柄 | PPA | 1 | Black 黑色 |
| 4 | blind flange 盖板 | Brass | 1 | Copper tin plating 镀铜锡 |
| 3 | Shrapnel 弹片 | SUS | 1 | Ag plating 镀银 |
| 2 | Pedestal 基座 | PPA | 1 | Black 黑色 |
| 1 | Terminal 端子 | Brass | 1 | Ag plating 镀银 |
| NO 序号 | Part name 部件名 | Material 材料 | QTY 数量 | Remark 备注 |

| | | | | |
|-----|------|----------|-------------|-------|
| A4 | | | | |
| A3 | | | | |
| A2 | | | | |
| A1 | | | | |
| REV | DATE | REVISION | DESCRIPTION | ISSUE |



COMMON TOLERANCE

| | |
|------|--------|
| X.XX | ± 0.10 |
| X.X | ± 0.15 |
| X | ± 0.25 |

ANGULAR

| | | | | |
|---|--------|------------|------|----------------------|
| UNIT | MM | PROJECTED | | PRODUCT NAME: |
| DRAWN BY | FUYUAN | CHECKED BY | COCO | MODEL NO: TP11312643 |
| DATE | 2019 | APPROVAL B | ALEN | Https: www.rocpcu.tw |
| ROCPCU TECHNOLOGY CO.,LTD | | | | |
| Copies are issued in strict confidence and shall not be reproduced or copied, or used as the basic of manufacture or sale of apparatus without permission | | | | |