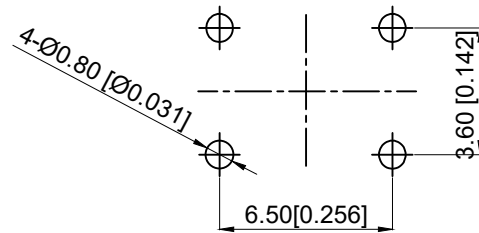
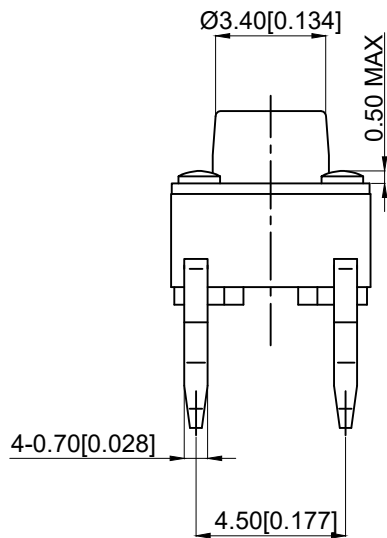
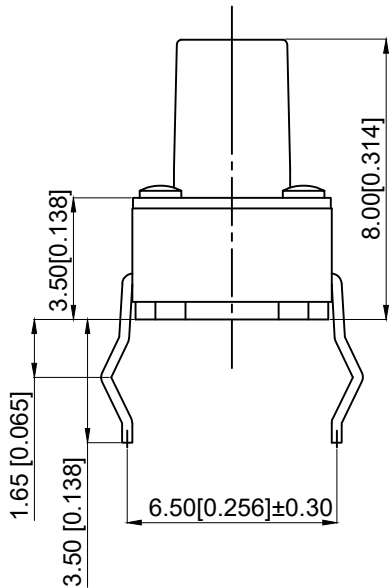


CIRCUIT DIAGRAM  
电路图



PCB LAND DIMENSION  
PCB板焊盘尺寸



SPECIFICATION

规范  
Rating: 50mA.12V DC  
额定值: 50mA.12V DC  
Insulation resistance: 100MΩ min.100V DC  
绝缘电阻: 100MΩ min.100V DC  
Dielectric strength: 250V AC for 1 min  
介电强度: 250V AC 1分钟  
Contact resistance: 100mΩ max

Travel: 0.25±0.1mm  
行程: 0.25±0.1mm  
Lifetime: 600000 times  
寿命: 600000 times  
Operating force: 160±50gf  
操作力: 160±50gf  
Operating temperature rang: -30°C to + 85°C  
工作温度范围: -30°C to + 85°C

5	Terminal 端子	PA66	1	Ag plating 镀银
4	Base 底座	LCP	1	Black 黑色
3	Contact 弹片	SUS	1	Ag plating 镀银
2	Stem 按钮	PA66	1	Brown 棕色
1	Cover 盖板	Brass 黄铜	1	Ag plating 镀银
NO 序号	Part name 部件名	Material 材料	QTY 数量	Remark 备注

A4				
A3				
A2				
A1				
REV	DATE	REVISION	DESCRIPTION	ISSUE



COMMON TOLERANCE

X.XX	± 0.10
X.X	± 0.15
X	± 0.25

ANGULAR

UNIT	MM	PROJECTED		PRODUCT NAME:
DRAWN BY	FUYUAN	CHECKED BY	COCO	MODEL NO: TP10811680
DATE	2019	APPROVAL B	ALEN	Https: www.rocpcu.tw
<b>ROCPCU TECHNOLOGY CO.,LTD</b>				
Copies are issued in strict confidence and shall not be reproduced or copied, or used as the basic of manufacture or sale of apparatus without permission				