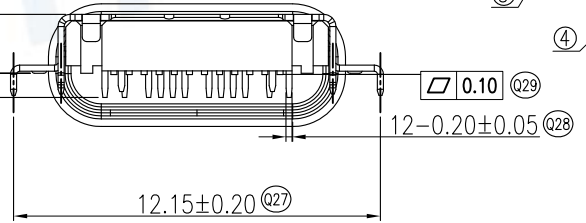
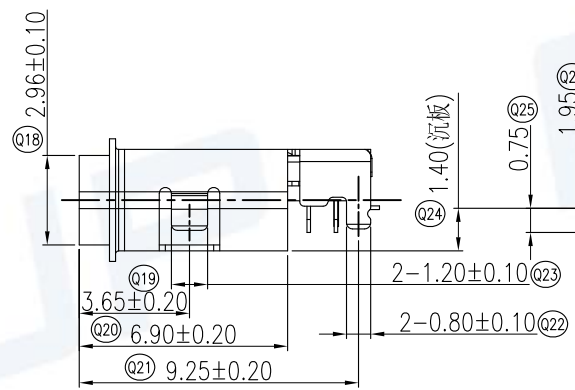
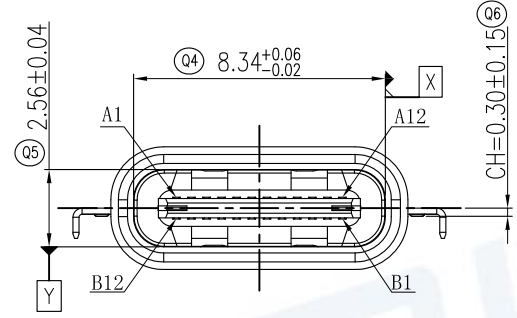
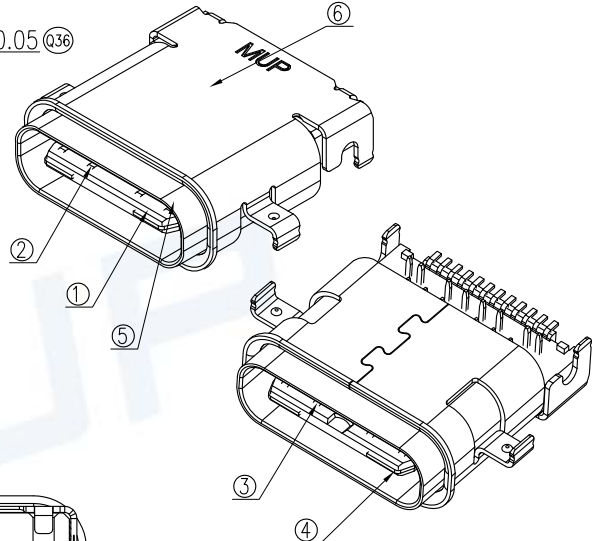
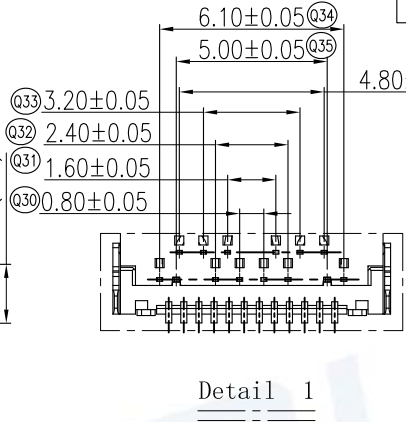
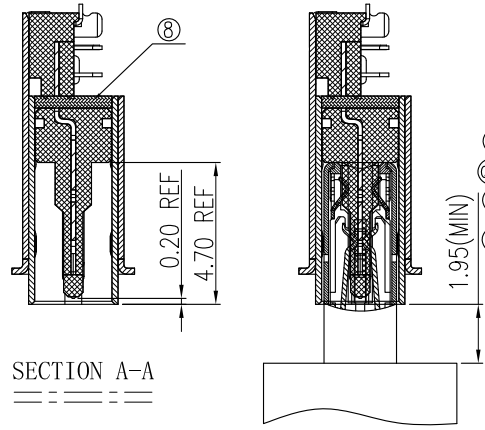
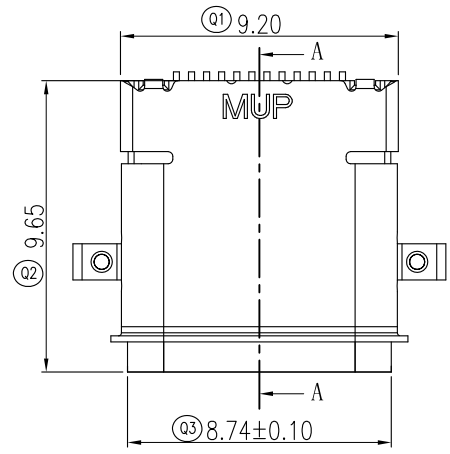
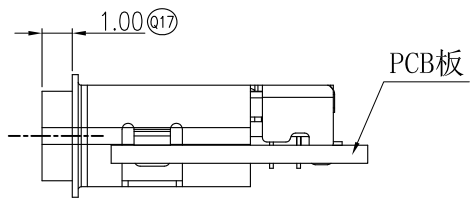
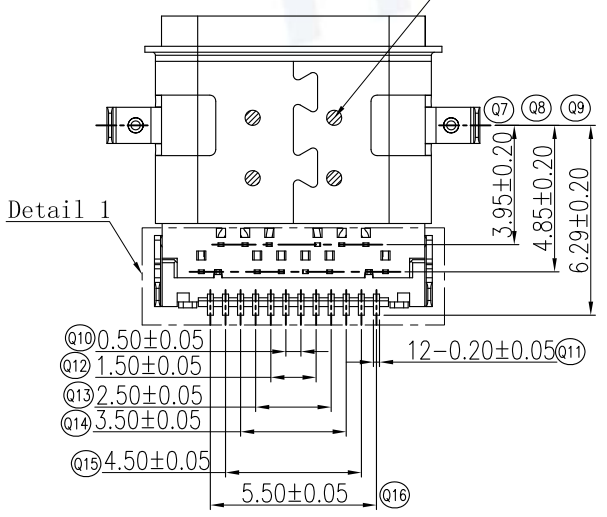


REV.	DESCRIPTION OF REVISIONS	APPR.	CHKD.	DRAW.	DATE
△	Original reversion	lucky	lucky	Roy	2019.06.05
△	Change the material number and structure of O_ring	lucky	lucky	Roy	2020.08.05



LASER WELDING POING



- NOTE:
- MECHANICAL:
 - 1-1.MATING FORCE: 0.5~2.0Kgf
 - 1-2.UMMATING FORCE: Initial: 0.8~2.0Kgf
After 500 to 10,000cycles: 0.6~2.0Kgf
 - 1-3.FREQUENCE:200±50 CYCLES/HOUR,10000 CYCLES;
 - ELECTRICAL CHARACTERISTICS:
 - 2-1. CURRENT RATING: 5.0A Max.
 - 2-2. INITIAL CONTACT RESISTANCE:40mΩ Max.
 - 2-3. INSULATION RESISTANCE:100MΩ MIN
 - 2-4. WITHSTANDING VOLTAGE:100V AC,1 MINUTE;
 - ENVIRONMENTAL
TEMPERATRUE RANGE: -40°C TO +85°C.

TABLE 1:

NO.	PART NAME	QTY	MATERIAL	DESCRIPTION	REMARK
⑧	GLUE WATER	1	EPOXY	BLACK;	
⑦	O_ring	1	Silicone Rubber	BLACK;	
⑥	Shell-2	1	Stainless steel	NI PLATING;	T=0.20mm
⑤	Shell-1		Stainless steel	NI PLATING;	T=0.20mm
④	MID PLATE	1	Stainless steel		T=0.15mm
③	CONTACT	12	HIGH CONDUCTIVITY COPPER	CONTACT AREA: Au ; SOLDERING AREA: Gold Flash; NICKEL:40u"MIN;	T=0.12mm
②	CONTACT	12			T=0.12mm
①	Housing	1	THERMOPLASTIC	Black	

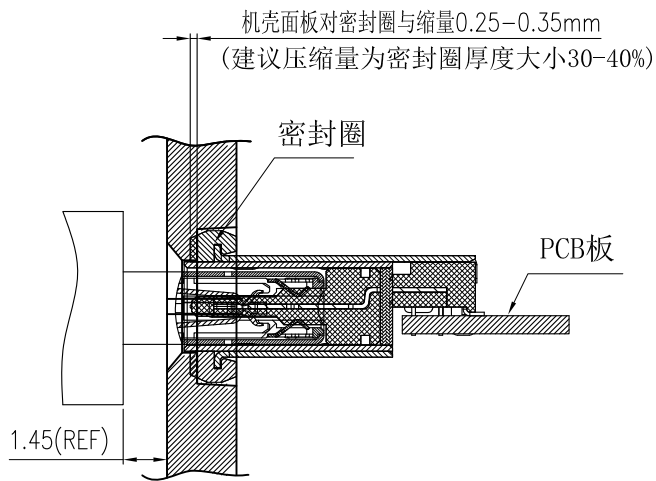
Unless Otherwise specified, other tolerance are:

X.	±0.40	X'.	±5'
X.X	±0.30	X.X'	±4'
X.XX	±0.25	X.XX'	±3'
X.XXX	±0.15	X.XXX'	±2'
APPR.	LUCKY/2020.08.05		
CHKD.	LUCKY/2020.08.05		
DRAW.	Roy/2020.08.05		

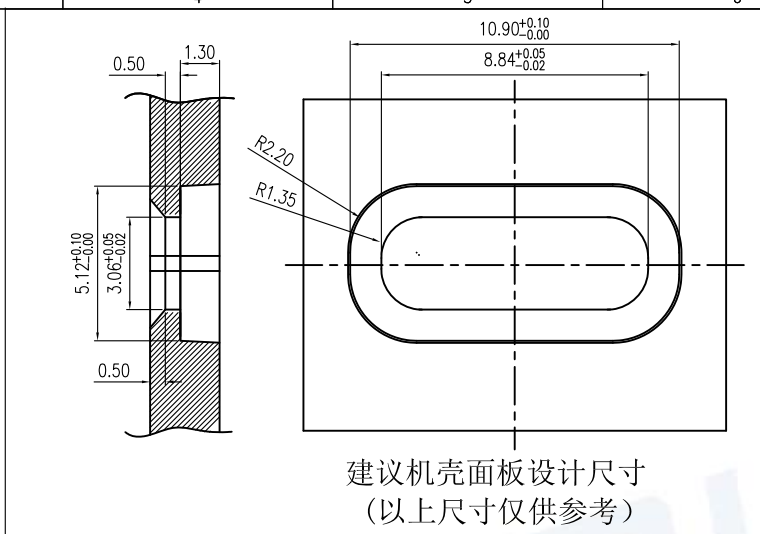
MUP MUP INDUSTRIAL CO.,LTD.

NAME: USB Type C Hybrid Right-Angle Receptacle			
MODEL No: MUP-U22201-1			
TYPE : 24Pin & USB 3.1 Without GND-PLATE			
PRAT NO.:		DWG NO.:	
U22201-1		DWG-U22201-1-001	
PROJ.	UNIT	SCALE	SHEET
	mm	1:1	1/3
DRAW.			REVISION
			2

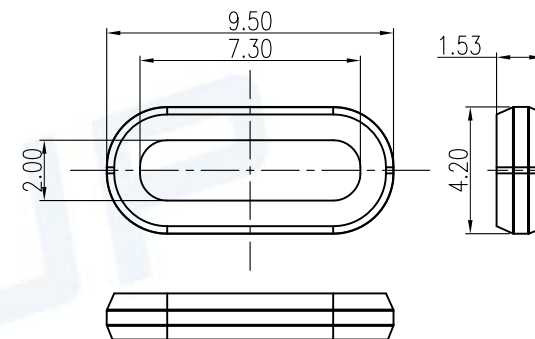




组装面板后公母头对插示意图



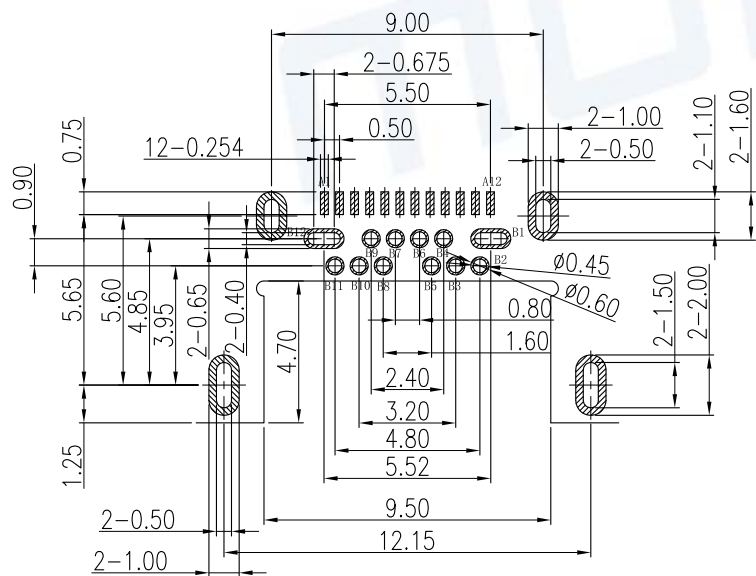
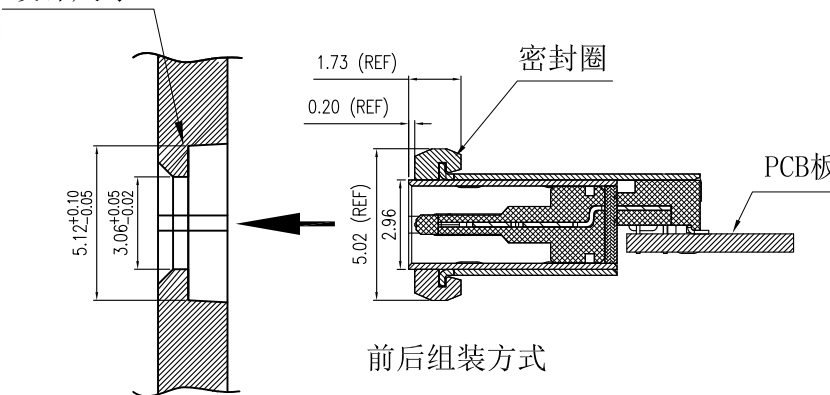
REV.	DESCRIPTION OF REVISIONS	APPR.	CHKD.	DRAW.	DATE
△	Original reversion	lucky	lucky	Roy	2019.06.05
△	Change the material number and structure of O_ring	lucky	lucky	Roy	2020.08.05



防水圈料号: HP-1007-001
建议防水圈规格(材质硅橡胶)

机壳面板设计尺寸

建议密封方式



RECOMMENDED P.C.B LAYOUT(Both sides are sample)
Tolerance:±0.05,Thickness=0.60mm



A1	GND	B12	GND
A2	SSTXP1	B11	SSRXP1
A3	SSTXN1	B10	SSRXN1
A4	VBUS	B9	VBUS
A5	CC1	B8	SBU2
A6	DP1	B7	DN2
A7	DN1	B6	DP2
A8	SBU1	B5	CC2
A9	VBUS	B4	VBUS
A10	SSRXN2	B3	SSTXN2
A11	SSRXP2	B2	SSTXP2
A12	GND	B1	GND
PIN	SIGNAL NAME	PIN	SIGNAL NAME

Unless Otherwise specified,
other tolerance are:

X. ±0.40	X°. ±5°
X.X ±0.30	X.X° ±4°
X.XX ±0.25	X.XX° ±3°
X.XXX±0.15	X.XXX°±2°

MUP MUP INDUSTRIAL CO.,LTD.

NAME: **USB Type C Hybrid Right-Angle Receptacle**

MODEL No: **MUP-U22201-1**

TYPE: **24Pin & USB 3.1 Without GND-PLATE**

PRAT NO.: U22201-1 DWG NO.: DWG-U22201-1-001

APPR. LUCKY/2020.08.05

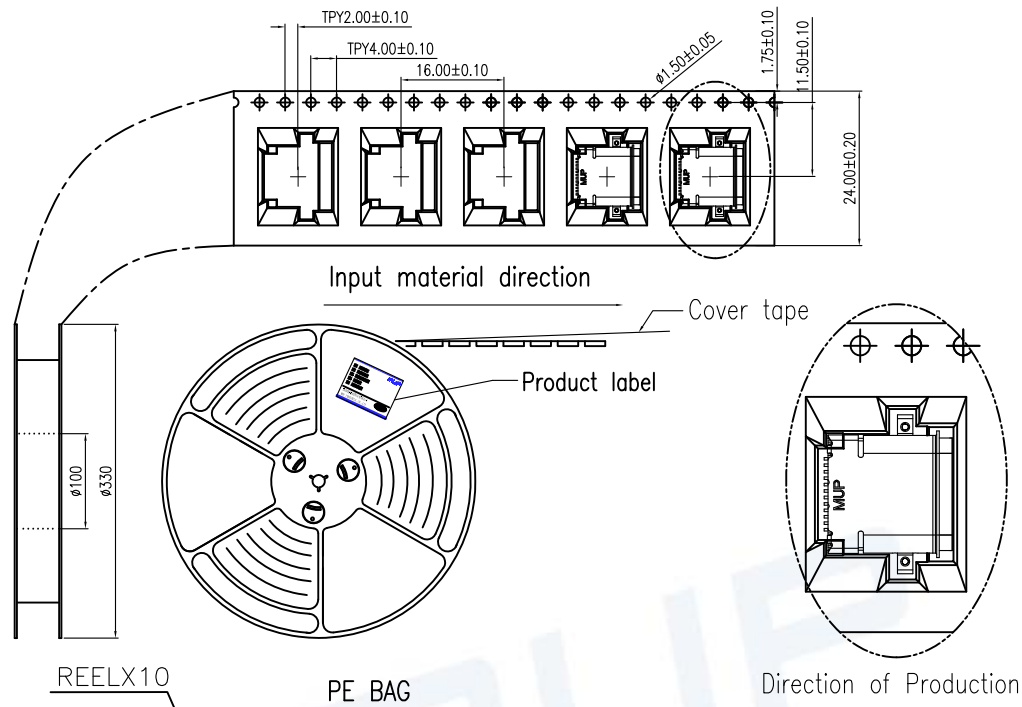
CHKD. LUCKY/2020.08.05

DRAW. Roy/2020.08.05



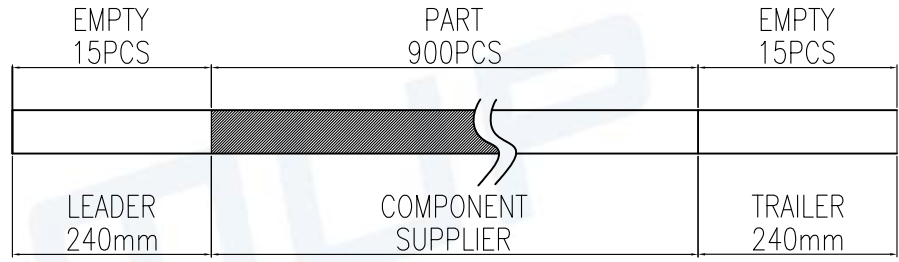
UNIT mm SCALE 1:1 SHEET 2/3 REVISION 2

REV.	DESCRIPTION OF REVISIONS	APPR.	CHKD.	DRAW.	DATE
△	Original reversion	lucky	lucky	Roy	2019.06.05
△	Change the material number and structure of O_ring	lucky	lucky	Roy	2020.08.05

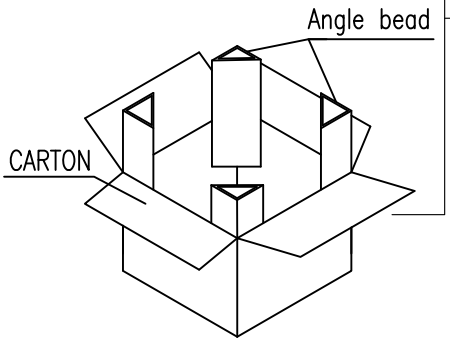
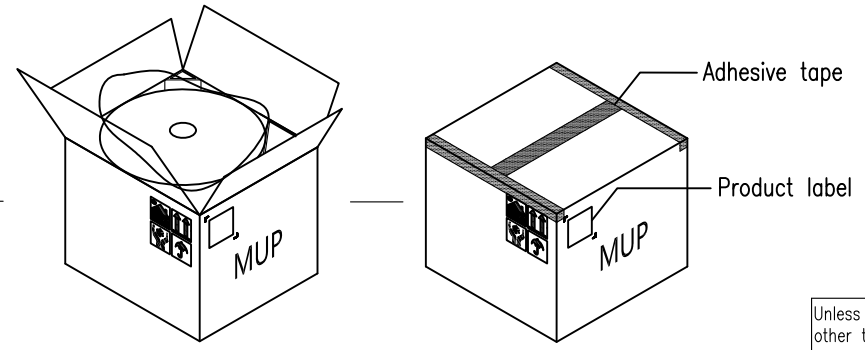
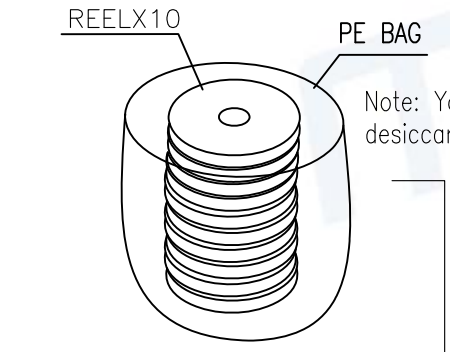


NOTES

1. NUMBER OF CONNECTORS:900PCS/REEL
2. LEAD TAPE LENGTH



3. QUANTITY:9000/CARTON
4. WEIGHT :
 - 4.1 NET WEIGHT : 6.31 Kg
 - 4.2 GROSS WEIGHT : 10.5 Kg



Unless Otherwise specified, other tolerance are:

X. ±0.40	X°. ±5°
X.X ±0.30	X.X° ±4°
X.XX ±0.25	X.XX° ±3°
X.XXX±0.15	X.XXX°±2°

APPR.	LUCKY/2020.08.05
CHKD.	LUCKY/2020.08.05
DRAW.	Roy/2020.08.05

MUP MUP INDUSTRIAL CO.,LTD.	
NAME: USB Type C Hybrid Right-Angle Receptacle	
MODEL No: MUP-U22201-1	
TYPE : 24Pin & USB 3.1 Without GND-PLATE	
PROJ. U22201-1	DWG NO. : DWG-U22201-1-001
UNIT mm	SCALE 1:1
SHEET 3/3	REVISION 2

