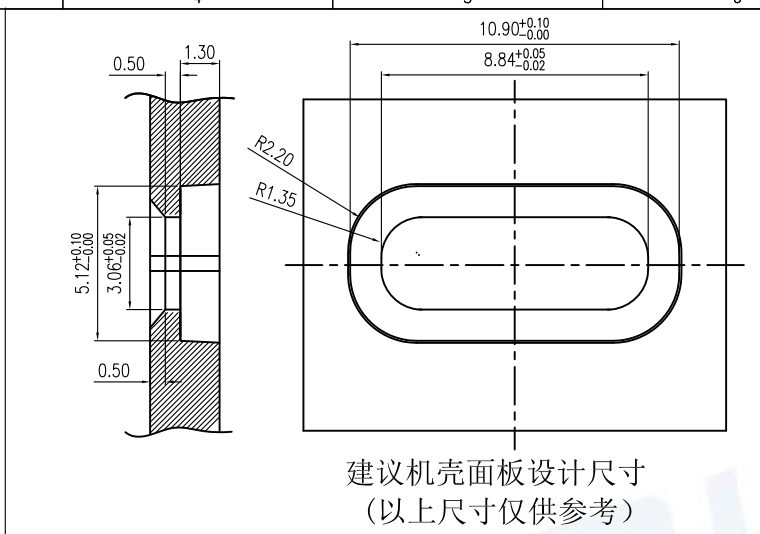
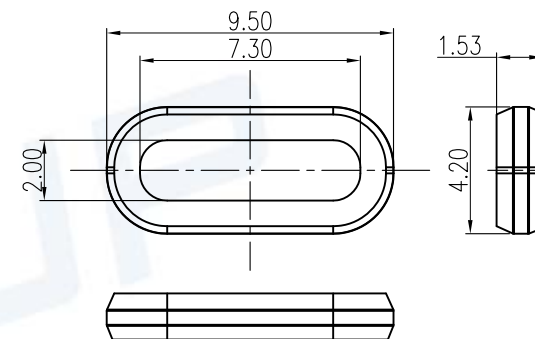


组装面板后公母头对插示意图



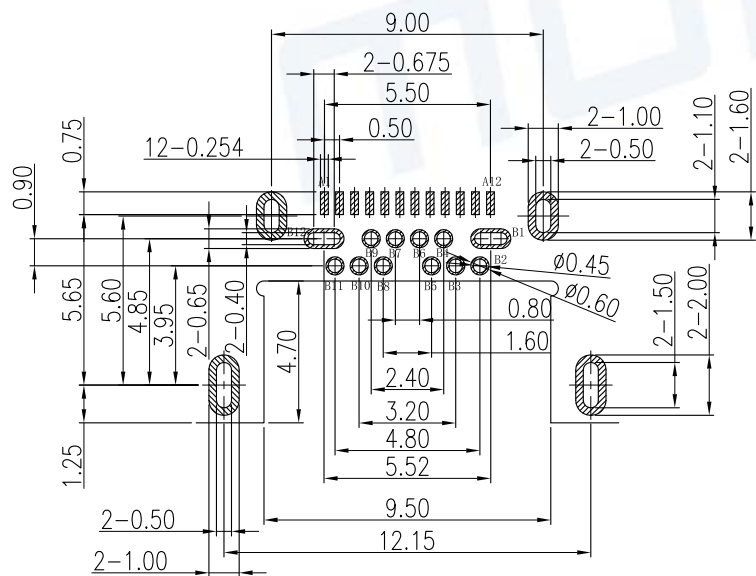
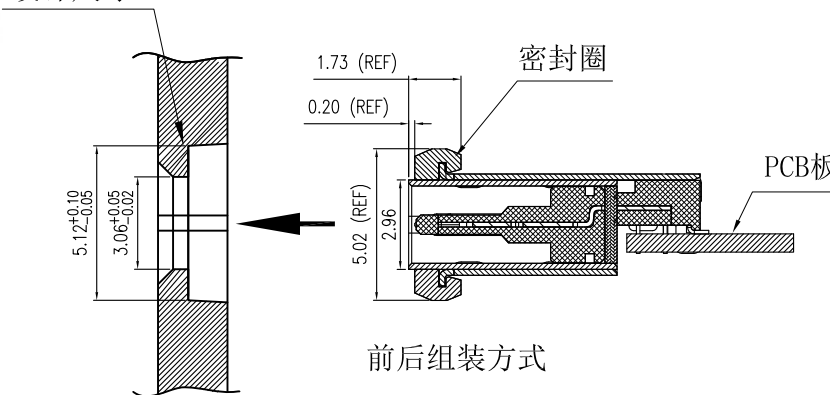
REV.	DESCRIPTION OF REVISIONS	APPR.	CHKD.	DRAW.	DATE
△	Original reversion	lucky	lucky	Roy	2019.06.05
△	Change the material number and structure of O_ring	lucky	lucky	Roy	2020.08.05



防水圈料号: HP-1007-001
建议防水圈规格(材质硅橡胶)

机壳面板设计尺寸

建议密封方式



RECOMMENDED P.C.B LAYOUT(Both sides are sample)
Tolerance:±0.05,Thickness=0.60mm



Unless Otherwise specified, other tolerance are:

X. ±0.40	X'. ±5°
X.X ±0.30	X.X' ±4°
X.XX ±0.25	X.XX' ±3°
X.XXX±0.15	X.XXX'±2°

APPR.	LUCKY/2020.08.05
CHKD.	LUCKY/2020.08.05
DRAW.	Roy/2020.08.05

MUP MUP INDUSTRIAL CO.,LTD.

NAME: **USB Type C Hybrid Right-Angle Receptacle**

MODEL No: **MUP-U22201-1**

TYPE: **24Pin & USB 3.1 Without GND-PLATE**

PRAT NO.: U22201-1 DWG NO.: DWG-U22201-1-001

PIN	SIGNAL NAME	PIN	SIGNAL NAME
A1	GND	B12	GND
A2	SSTXP1	B11	SSRXP1
A3	SSTXN1	B10	SSRXN1
A4	VBUS	B9	VBUS
A5	CC1	B8	SBU2
A6	DP1	B7	DN2
A7	DN1	B6	DP2
A8	SBU1	B5	CC2
A9	VBUS	B4	VBUS
A10	SSRXN2	B3	SSTXN2
A11	SSRXP2	B2	SSTXP2
A12	GND	B1	GND

UNIT: mm SCALE: 1:1 SHEET: 2/3 REVISION: 2