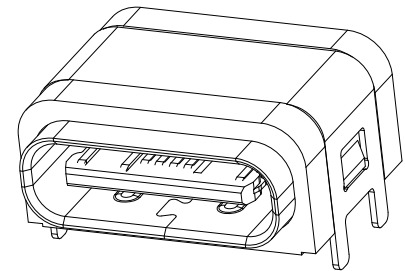
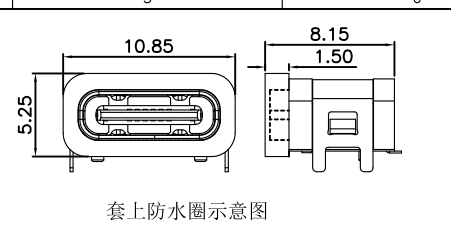
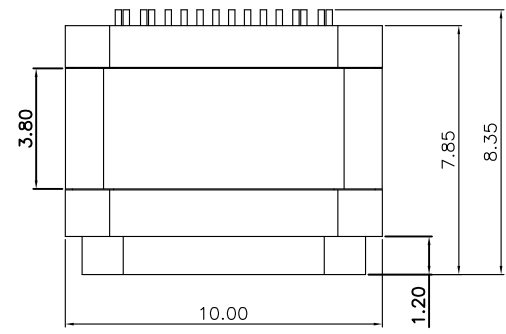
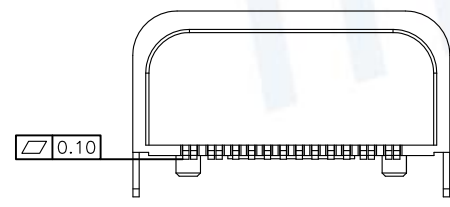
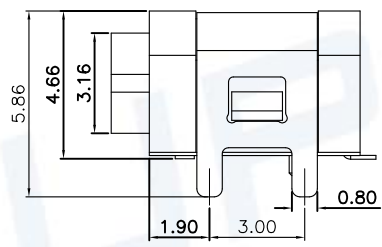
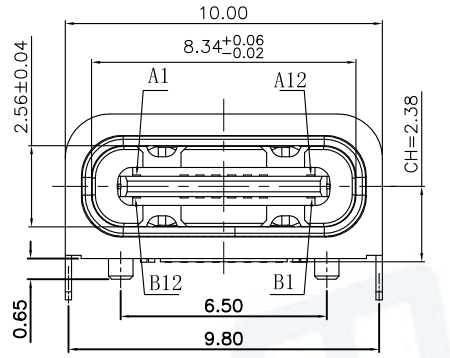
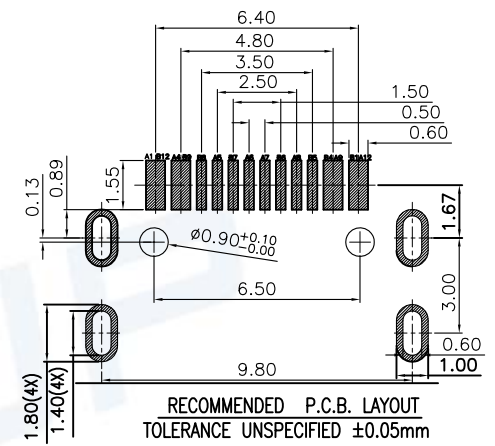
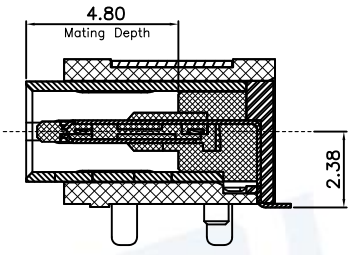


REV.	DESCRIPTION OF REVISIONS	APPR.	CHKD.	DRAW.	DATE
△	Original reversion	lucky	lucky	Roy	2021.12.06

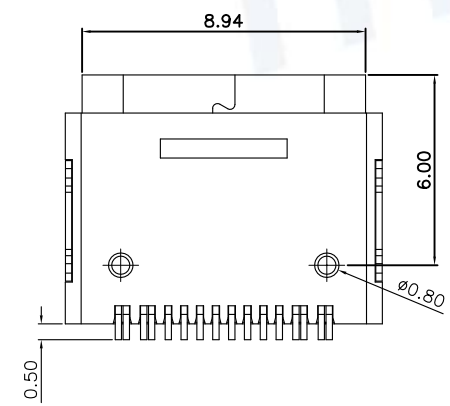


3D VIEW



PIN ASSINGMENTS

PIN	SINGAL NAME	PIN	SINGAL NAME
A1	GND	B12	GND
A4	VBUS	B9	VBUS
A5	CC1	B8	SBU2
A6	Dp1	B7	Dn2
A7	Dn1	B6	Dp2
A8	SBU1	B5	CC2
A9	VBUS	B4	VBUS
A12	GND	B1	GND



- NOTE:
- MECHANICAL:
 - 1-1 Insertion force: 5~20N
 - 1-2 Extraction force: 8~20N
Extraction force: 10000 CYCLES 6~20N
 - 1-3.FREQUENCE:500±50 CYCLES/HOUR,10000 CYCLES;
 - ELECTRICAL CHARACTERISTICS:
 - 2-1. CURRENT RATING:
VBUS Pins (A4,A9,B4,B9): 5.0A.
Vconn(B5) : 1.25A
Other All Pins 0.25A
 - 2-2. INITIAL CONTACT RESISTANCE:40mΩ Max.
 - 2-3. INSULATION RESISTANCE:100MΩ MIN
 - 2-4. WITHSTANDING VOLTAGE:100V AC,1 MINUTE;
 - ENVIRONMENTAL
TEMPERATRUE RANGE: -40°C TO +85°C.
 - WATER PROOFNESS:THISPRODUCTIS BASED ON IPX7.

NO.	DESCRIPTION	MATERIAL	REMARKS	QTY
6	O_ring	Silicone Rubber	BLACK	1PCS
5	SHELL	STAINLESS STEEL	NI Plated	1PCS
4	MID-PLATE	STAINLESS STEEL	Cleaning	1PCS
3	CONTACT	COPPER ALLOY	Au/Ni Plated	1SET
2	SHELL HOUSING	HIGH TEMPERATURE PLASTIC	BLACK	1PCS
1	HOUSING	HIGH TEMPERATURE PLASTIC	BLACK	1PCS

Unless Otherwise specified, other tolerance are:

X.	±0.40	X*	±5°
X.X	±0.30	X.X*	±4°
X.XX	±0.25	X.XX*	±3°
X.XXX	±0.15	X.XXX*	±2°

MUP MUP INDUSTRIAL CO.,LTD.

NAME: **USB Type C Single-Row SMT on Board Receptacle**

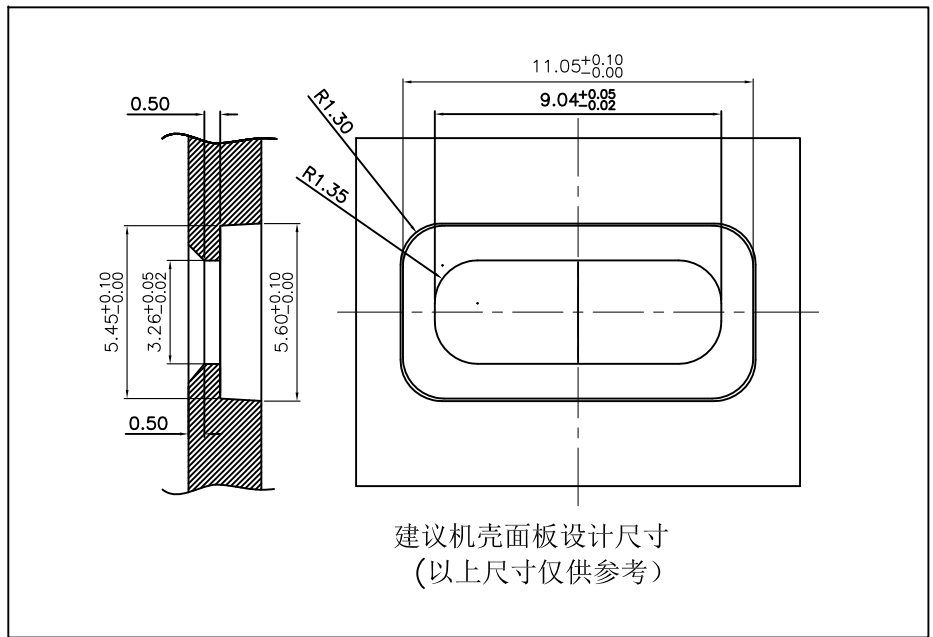
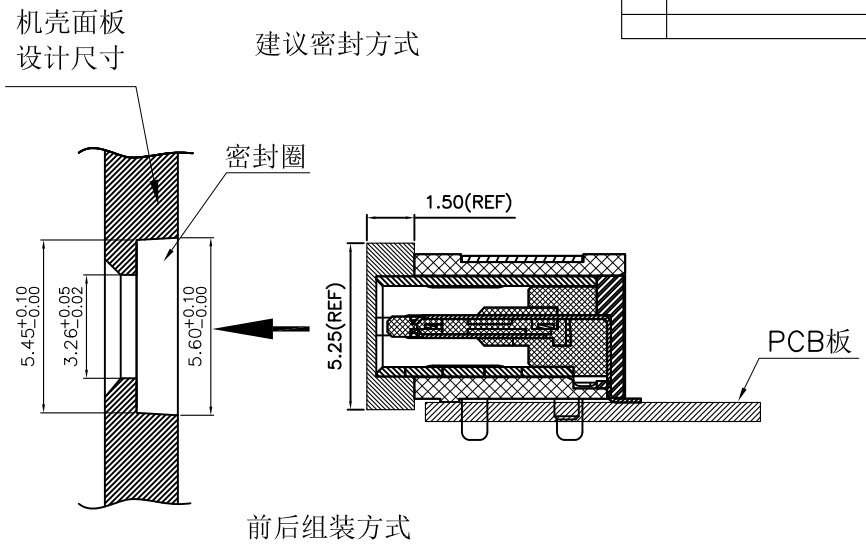
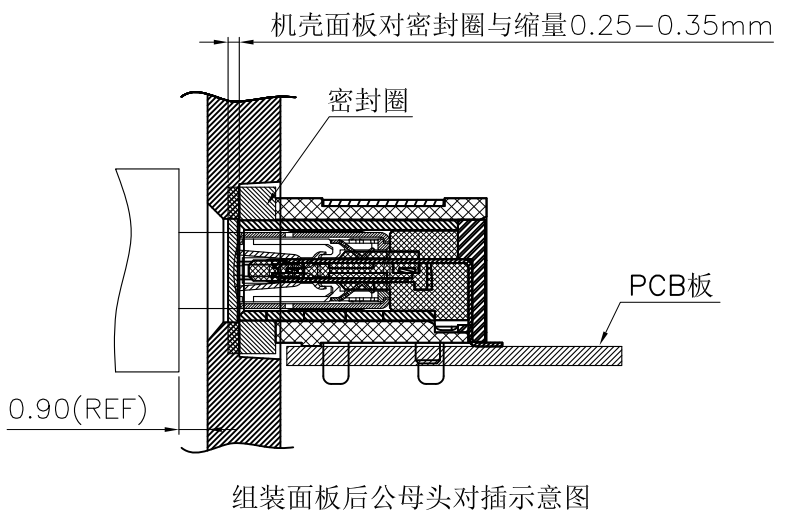
MODEL No: **MUP-U20409-2**

TYPE : **16P & Single-Row SMT on board & Waterproof**

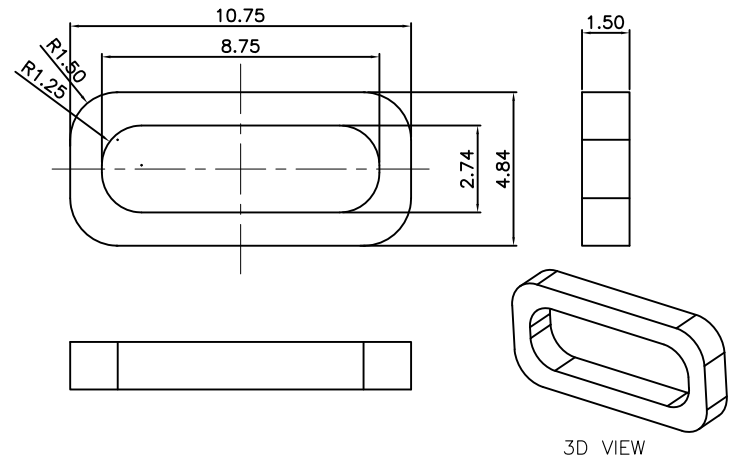
APPR.	LUCKY/2021.12.06	PRAT NO.:	U20409-2	DWG NO.:	DWG-U20409-2-001
CHKD.	LUCKY/2021.12.06	PROJ.	UNIT	SCALE	SHEET
DRAW.	Roy/2021.12.06		mm	1:1	1/3
					REVISION
					1



REV.	DESCRIPTION OF REVISIONS	APPR.	CHKD.	DRAW.	DATE
△	Original reversion	lucky	lucky	Roy	2021.12.06



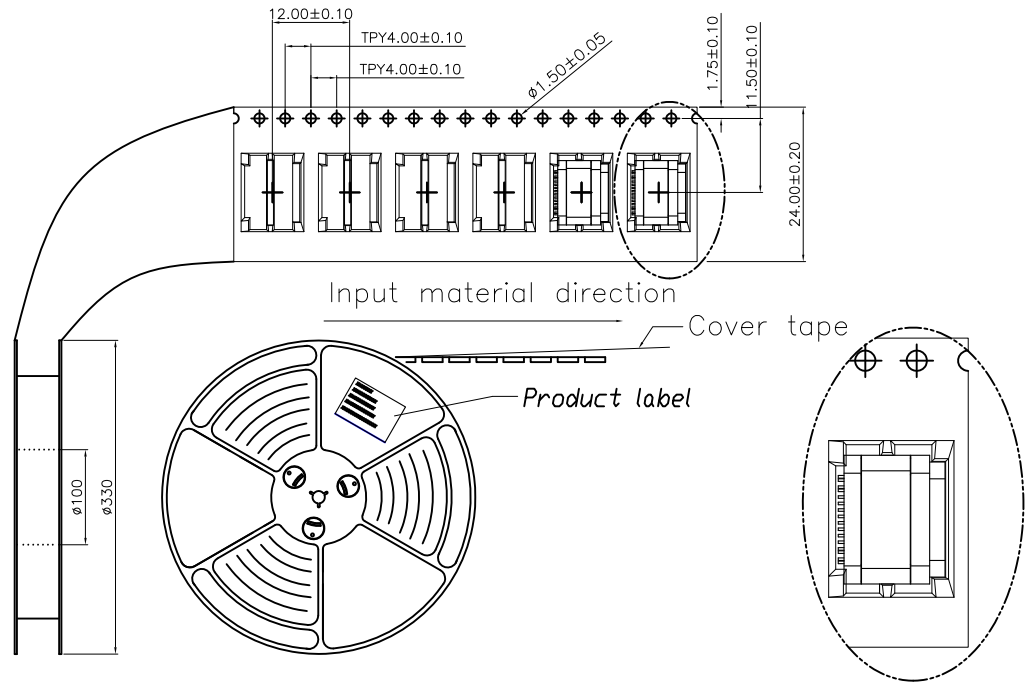
O_ring PRAT NO. : HP-1014-001



Unless Otherwise specified, other tolerance are:		MUP ® MUP INDUSTRIAL CO.,LTD.			
X. ±0.40	X'. ±5°	NAME: USB Type C Single-Row SMT on Board Receptacle			
X.X ±0.30	X.X' ±4°	MODEL No: MUP-U20409-2			
X.XX ±0.25	X.XX' ±3°	TYPE : 16P & Single-Row SMT on board & Waterproof			
X.XXX±0.15	X.XXX' ±2°	PRAT NO. : U20409-2		DWG NO. : DWG-U20409-2-001	
APPR. LUCKY/2021.12.06	CHKD. LUCKY/2021.12.06	PROJ.	UNIT mm	SCALE 1:1	SHEET 2/3
DRAW. Roy/2021.12.06					REVISION 1

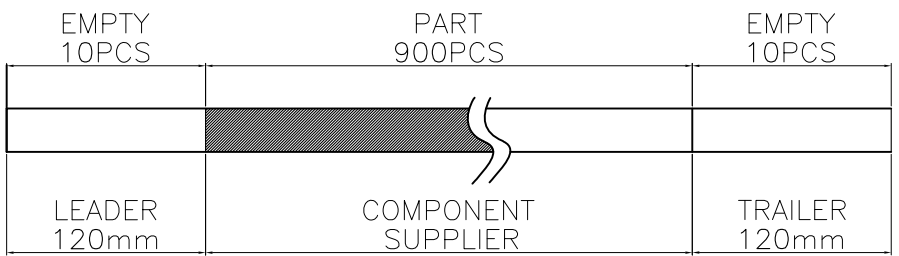


REV.	DESCRIPTION OF REVISIONS	APPR.	CHKD.	DRAW.	DATE
△	Original reversion	lucky	lucky	Roy	2021.12.06

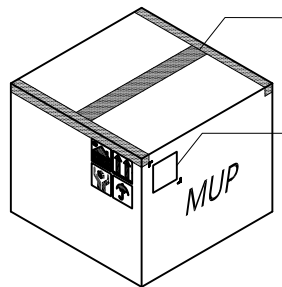
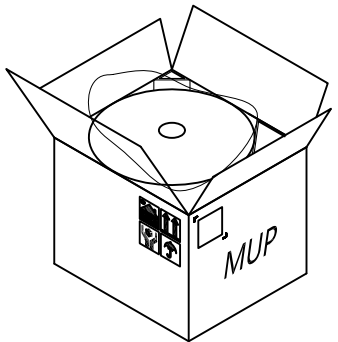
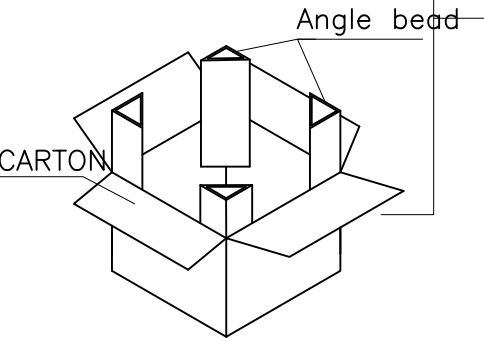
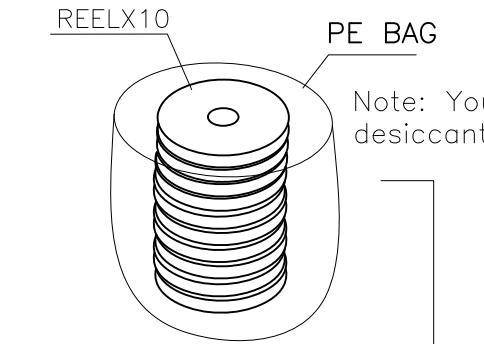


NOTES

1. NUMBER OF CONNECTORS: 900PCS/REEL
2. LEAD TAPE LENGTH



3. QUANTITY: 9000/CARTON
4. WEIGHT :
 - 4.1 NET WEIGHT : 6.95 Kg
 - 4.2 GROSS WEIGHT : 12.0 Kg
5. Meas: 350Lx350Wx315H mm



Adhesive tape
Product label

Unless Otherwise specified, other tolerance are:		MUP ® MUP INDUSTRIAL CO.,LTD.			
X. ±0.40	X'. ±5°	NAME: USB Type C Single-Row SMT on Board Receptacle			
X.X ±0.30	X.X' ±4°	MODEL No: MUP-U20409-2			
X.XX ±0.25	X.XX' ±3°	TYPE : 16P & Single-Row SMT on board & Waterproof			
X.XXX ±0.15	X.XXX' ±2°	PRAT NO. :		DWG NO. :	
APPR.	LUCKY/2021.12.06	U20409-2		DWG-U20409-2-001	
CHKD.	LUCKY/2021.12.06	PROJ.	UNIT	SCALE	SHEET
DRAW.	Roy/2021.12.06		mm	1:1	3/3
					REVISION
					1

