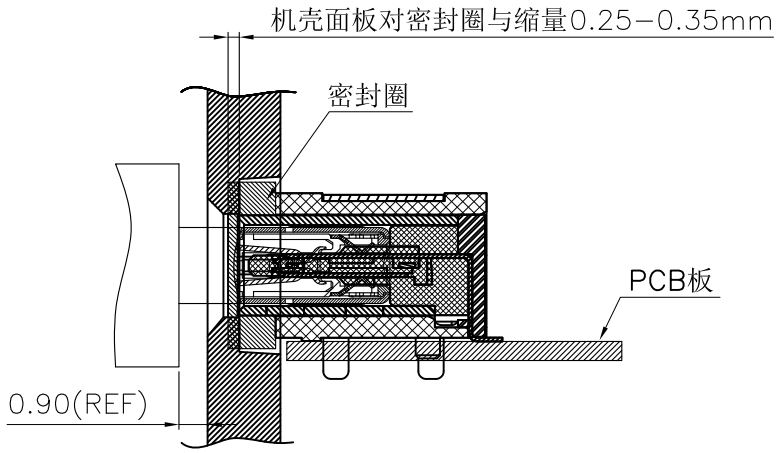
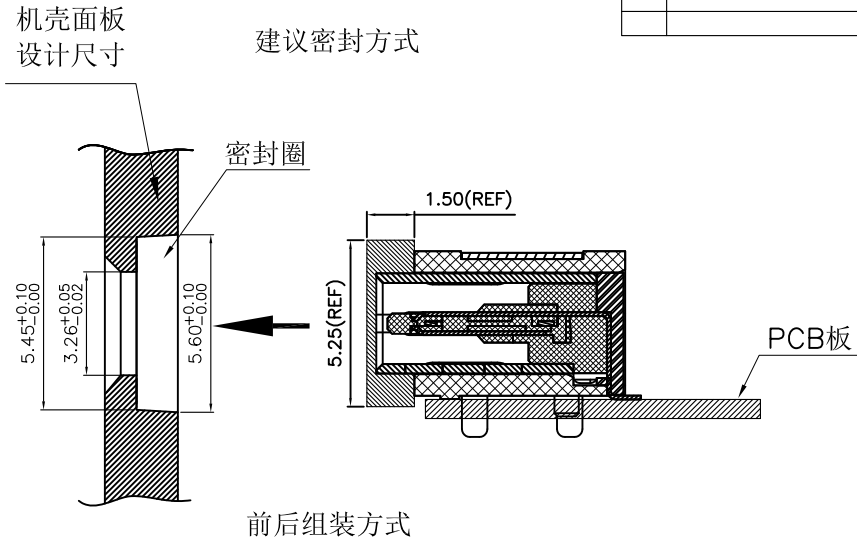


REV.	DESCRIPTION OF REVISIONS	APPR.	CHKD.	DRAW.	DATE
△	Original reversion	lucky	lucky	Roy	2021.12.06



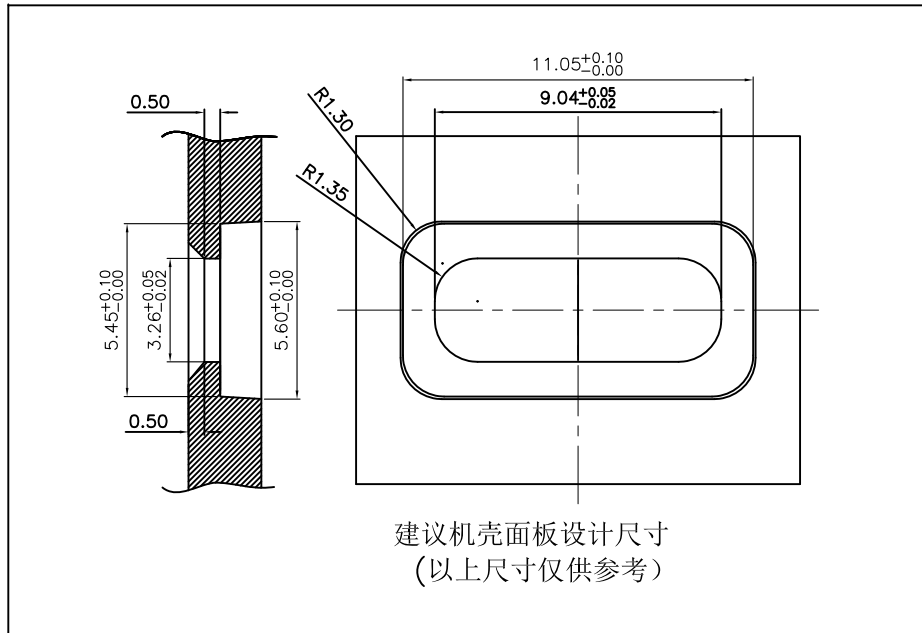
组装面板后公母头对插示意图



机壳面板
设计尺寸

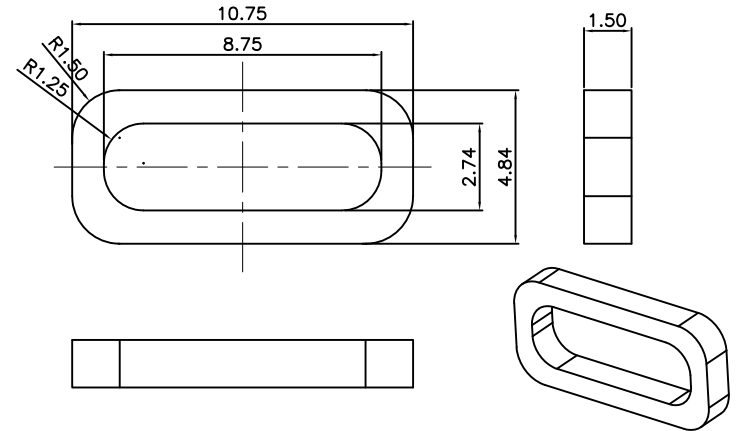
建议密封方式

前后组装方式



建议机壳面板设计尺寸
(以上尺寸仅供参考)

O_ring PRAT NO.: HP-1014-001



3D VIEW

Unless Otherwise specified,
other tolerance are:

X.	±0.40	X'	±5°
X.X	±0.30	X.X'	±4°
X.XX	±0.25	X.XX'	±3°
X.XXX	±0.15	X.XXX'	±2°
APPR.	LUCKY/2021.12.06		
CHKD.	LUCKY/2021.12.06		
DRAW.	Roy/2021.12.06		

MUP [®] MUP INDUSTRIAL CO.,LTD.	
NAME: USB Type C Single-Row SMT on Board Receptacle	
MODEL No: MUP-U20409-2	
TYPE: 16P & Single-Row SMT on board & Waterproof	
PRAT NO.:	DWG NO.:
U20409-2	DWG-U20409-2-001
PROJ.:	UNIT
⊕	mm
SCALE	SHEET
1:1	2/3
REVISION	1

