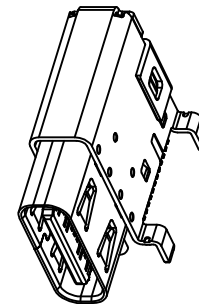
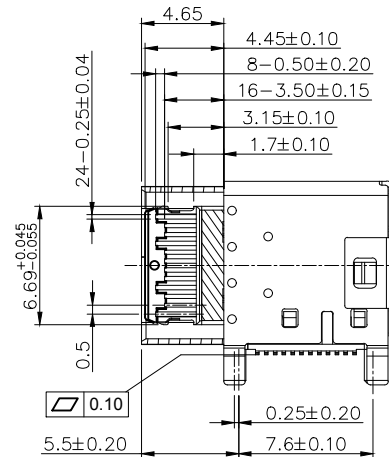


RECOMMENDED P.C.B LAYOUT  
TOLERANCE ± 0.05mm (TOP VIEW)



### MATERIALS

- HOUSING : LCP (UL 94V-0), BLACK.
- TERMINAL : COPPER ALLOY,C18400 T=0.12  
GOLD 3u"PLATED ON CONTACT AREA.  
GOLD FLASH PLATING ON SOLDER TAIL.  
NICKEL UNDERPLATED OVER ALL.
- MID PLATE : STAINLESS STEEL. SUS301 T=0.15
- SHELL : STAINLESS STEEL,SUS301 T=0.30 NICKEL PLATING.
- EMI : STAINLESS STEEL,SUS304 T=0.10

### SPECIFICATION

- CURRENT RATING : 5.0A FOR Vbus PIN,  
1.25A FOR Vconn PIN,  
0.25A FOR OTHER PINS.
- CONTACT RESISTANCE : 40mΩ.
- INSULATION RESISTANCE : 100MΩ MIN.
- DIELECTRIC WITHSTANDING VOLTAGE : 100 VAC MIN.
- OPERATING TEMPERATURE : -40°C TO +85°C.
- MATING FORCE : 5~20N.
- UNMATING FORCE : 8~20N.
- DURABILITY : 10,000 CYCLES.
- RECOMMENDED PROCESS :  
THE PEAK TEMPERATURE ON THE BOARD SHALL  
MAINTAIN 260°C.
- 高频40G

### USB TYPE-C PIN ASSIGNMENTS

PIN NUMBER	SIGNAL NAME	PIN NUMBER	SIGNAL NAME
A1	GND	B12	GND
A2	SSTXP1	B11	SSRXP1
A3	SSTXN1	B10	SSRXN1
A4	VBUS	B9	VBUS
A5	CC1	B8	SBU2
A6	Dp1	B7	Dn2
A7	Dn1	B6	Dp2
A8	SBU1	B5	CC2
A9	VBUS	B4	VBUS
A10	SSRXN2	B3	SSTXN2
A11	SSRXP2	B2	SSTXP2
A12	GND	B1	GND

P/N	(L)	COLOR	额定电流
HC-TYPE-C-24P-FLS-CH5.06-5A-23	14.30mm	黑色	5A

**Ordering Information**

HC-TYPE-C - 24P - \*\* - \*\*\* - \*A - P\* - \* - 23

Pin AP (0.5mm), BP (0.5mm), CP (0.5mm), DP (0.5mm), 24P (0.5mm)

Type: TM=Top Mount (0.5mm), TS=Top SMT (0.5mm), MM=Mid Mount (0.5mm), CS=Center Height (0.5mm), VS=Vertical SMT (0.5mm), DP=DP (0.5mm), FL=Flag (0.5mm), FLS=Flag SMT (0.5mm)

Color: BK=Black, WH=White, GR=Green, OR=Orange, PU=Purple, YE=Yellow

Current: 3A, 5A

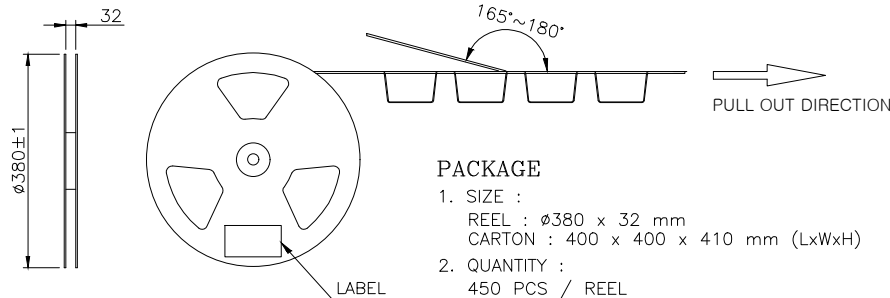
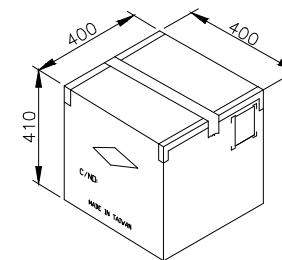
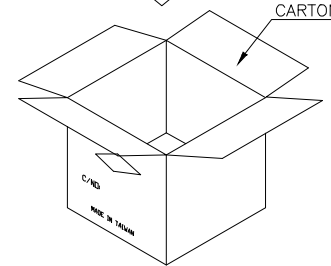
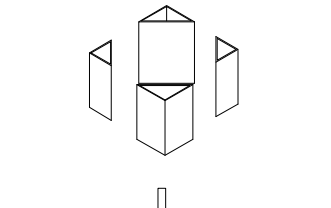
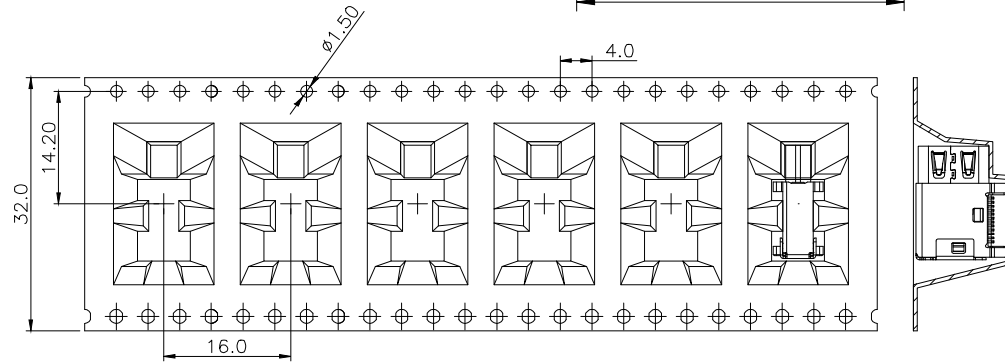
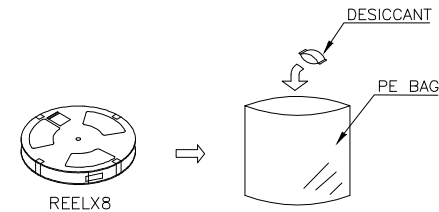
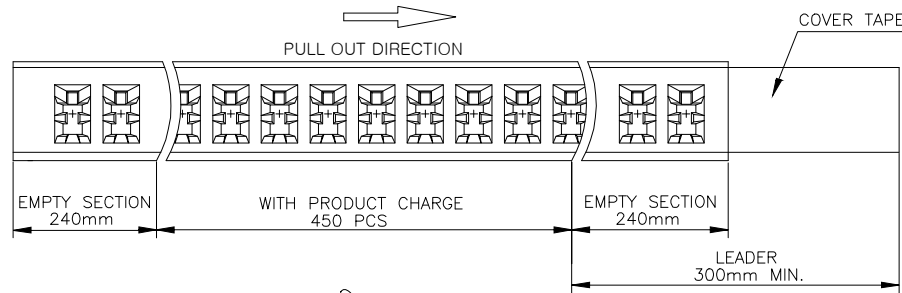
Foot Length: 14.30mm

序号 No.	变更内容 MODIFY CONTENT	日期 MODIFY DATE	GENERAL TOLERANCE	制图 DRAWING	审核 CHECK	批准 APPROVAL	比例 SCALE	投影 Projection		
1	初版发行		DIM TOL ±0.30	X.X	±0.30	X.XX	±0.20	X.XXX	±0.10	Angle ±3.0°

深圳市华灿天禄电子有限公司  
ShenzhenhuacantianluELECTRONICS CO.,LTD

产品名称 TITLE	TYPE CF 24P 侧面贴片 CH5.06mm L14.3mm 带弹带柱 40G	版本 REV.	单位 UNITS	页次 SHEET
产品料号 PART NO.	HC-TYPE-C-24P-FLS-CH5.06-5A-23	材料 MATERIAL	1/2	

pcs/box	boxes/Carton	Pcs/Box
450	8	3600



**PACKAGE**

1. SIZE :  
 REEL :  $\phi 380 \times 32$  mm  
 CARTON :  $400 \times 400 \times 410$  mm (LxWxH)
2. QUANTITY :  
 450 PCS / REEL  
 8 REEL / CARTON = 3,600 PCS

			GENREL TOLERANCE	制图 DRAWING	<b>深圳市华灿天禄电子有限公司</b> ShenzhenuacantianluELECTRONICS CO.,LTD			
			DIM TOL	审核 CHECK	产品名称 TITLE	TYPE CF 24P 侧面贴片 CH5.06mm L14.3mm 带弹带柱 40G-包装图	版本 REV.	A
			X.X ±0.30	批准 APPROVAL	产品料号 PART NO.	HC-TYPE C-24P-FLS-CH5.06-5A-23	单位 UNITS	mm
1	初版发行		X.XX ±0.20	比例 SCALE	材料 MATERIAL		页次 SHEET	2/2
序号 No.	变更内容 MODIFY CONTENT	日期 MODIFY DATE	X.XXX ±0.10	投影 Projection				
			Angle ±3.0°					