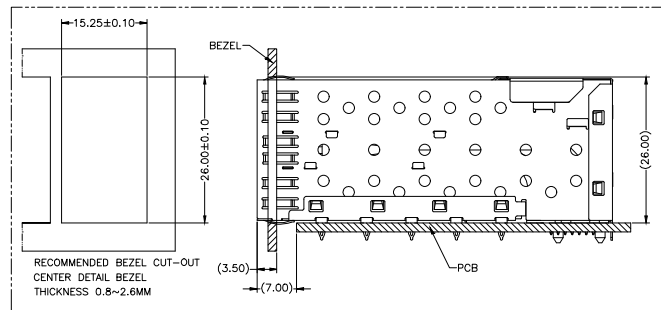
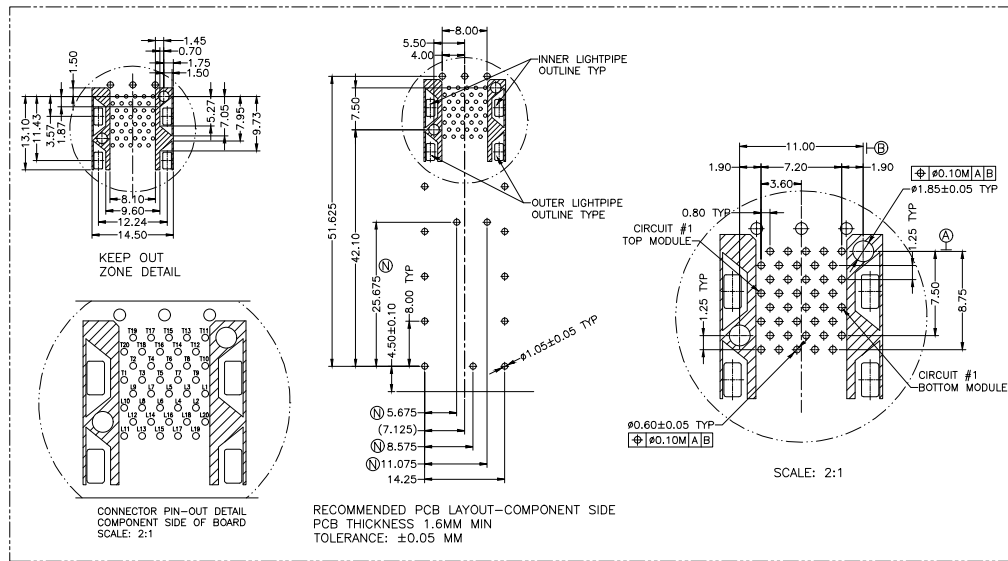
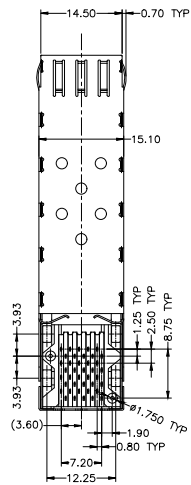


NOTES:
 MECHANICAL:
 MAIN CAGE: COPPER ALLOY, THICKNESS 0.25MM.
 OTHER CAGES: STAINLESS STEEL, THICKNESS 0.25MM.
 CONNECTOR HOUSING: GLASS FILLED PLASTIC, 94 V-0, COLOR: BLACK.
 OVERMOLDED TERMINAL HOUSING: GLASS FILLED PLASTIC, 94 V-0, COLOR: BLACK.
 LIGHTPIPES: POLYCARBONITE, 94 V-0, COLOR: CLEAR.
 LIGHTPIPE HOLDER: GLASS FILLED PLASTIC, 94 V-0, COLOR: BLACK.
 TERMINAL: POSPHRR BRONZE.
 GOLD PLATING FOR CONTACT AREA, THICKNESS SEE OPTION.
 TIN PLATING FOR PRESS FIT AREA.
 NICKEL PLATING AS UNDERLAYER FOR WHOLE TERMINAL.
 ELECTRICAL:
 VOLTAGE: 120 VOLTS AC.
 CURRENT: SIGNAL APPLICATION ONLY.
 DIFFERENTIAL IMPEDANCE: 100 OHMS.
 TEMPERATURE:
 OPERATION: -40°C~+85°C
 STORAGE: -40°C~+85°C
 LIGHTPIPE PAD LAYOUT IS FOR LOW-PROFILE LED PACKAGE.
 LED SIZE(LxWxH): 2x1x0.4MM MAX.
 RoHS COMPLIANCE.



HC-SFP-02L-21-A	WITHOUT LIGHTPIPES	15u"	C2680EH FOR TOP&REAR&BOTTOM CAGES
HC-SFP-02L-21-B	4 PORT LIGHTPIPES	15u"	C2680EH FOR TOP&REAR&BOTTOM CAGES
HC-SFP-02L-21-C	INNER 2 PORTS	15u"	C2680EH FOR TOP&REAR&BOTTOM CAGES
HC-SFP-02L-21-D	OUTER 2 PORTS	15u"	C2680EH FOR TOP&REAR&BOTTOM CAGES
Part No.	LIGHT PIPES	GOLD PLATING	OTHER

		GENERL TOLERANCE	制图
		DIM TOL	审核
		X.X ±0.30	检查
		X.XX ±0.20	批准
		X.XXX ±0.10	APPROVAL
1	初版发行	Angle ±3.0°	比例
序号	变更内容		SCALE
No.	MODIFY CONTENT		投影
	日期		Projection
	MODIFY DATE		

深圳市华灿天禄电子有限公司
 ShenzhenhuacantianluELECTRONICS CO.,LTD

产品名称	SPF 外壳 (2x1)	版本	A
TITLE		REV.	
产品料号	HC-SFP-02L-21-X	单位	mm
PART NO.		UNITS	
材料		页次	1/1
MATERIAL		SHEET	