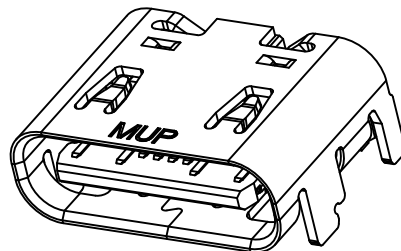
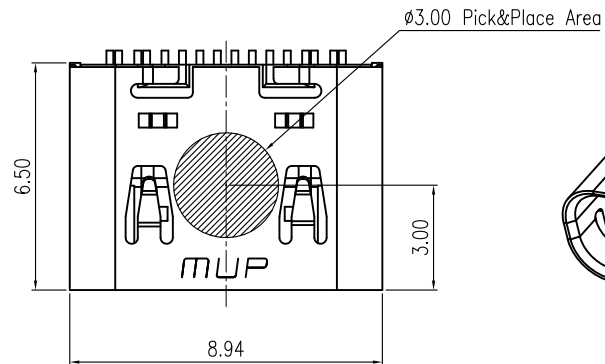
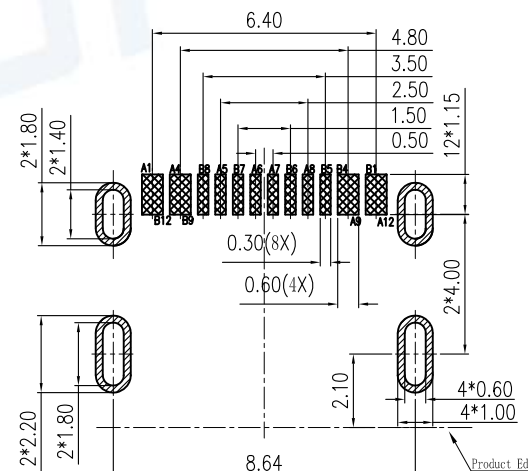
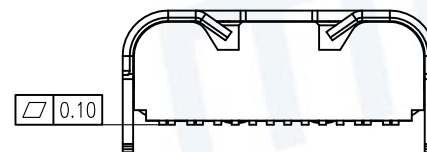
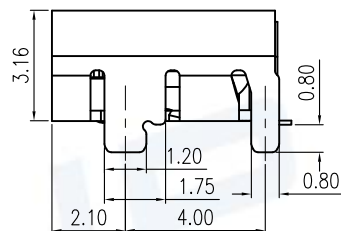
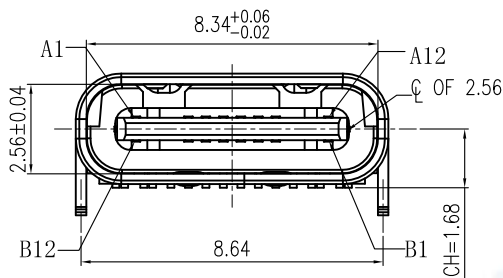


REV.	DESCRIPTION OF REVISIONS	APPR.	CHKD.	DRAW.	DATE
△	Original reversion	lucky	lucky	Roy	2020.10.22

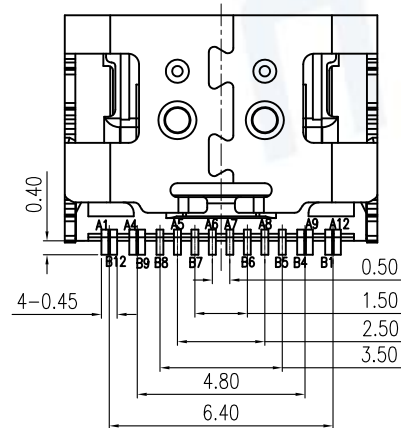


PIN ASSINGMENTS

PIN	SINGAL NAME	PIN	SINGAL NAME
A1	GND	B12	GND
A4	VBUS	B9	VBUS
A5	CC1	B8	SBU2
A6	Dp1	B7	Dn2
A7	Dn1	B6	Dp2
A8	SBU1	B5	CC2
A9	VBUS	B4	VBUS
A12	GND	B1	GND



RECOMMENDED P.C.B. LAYOUT
TOLERANCE UNSPECIFIED ±0.05mm



- NOTE:
- MECHANICAL:
 - 1-1 Insertion force: 5~20N
 - 1-2 Extraction force: 8~20N
 - Extraction force: 10000 CYCLES 6~20N
 - 1-3.FREQUENCE:500±50 CYCLES/HOUR,10000 CYCLES;
 - ELECTRICAL CHARACTERISTICS:
 - 2-1. CURRENT RATING:
 - VBUS Pins (A4,A9,B4,B9): 5.0A,
 - Vconn(B5) : 1.25A
 - Other All Pins 0.25A
 - 2-2. INITIAL CONTACT RESISTANCE:40mΩ Max.
 - 2-3. INSULATION RESISTANCE:100MΩ MIN
 - 2-4. WITHSTANDING VOLTAGE:100V AC,1 MINUTE;
 - ENVIRONMENTAL
 - TEMPERATURE RANGE: -40°C TO +85°C.

ITEM	PART NAME	Q'TY	MATERIAL	FINISH
①	Molding	1	THERMOPLASTIC	Black, UL94V-0
②	CONTACT	1	HIGH CONDUCTIVITY COPPER	Contact area:Gold plated over Ni.
③	SHELL	1	STAINLESS STEEL	Ni plated over all
④	MID-PLATE	1	STAINLESS STEEL	Cleaning

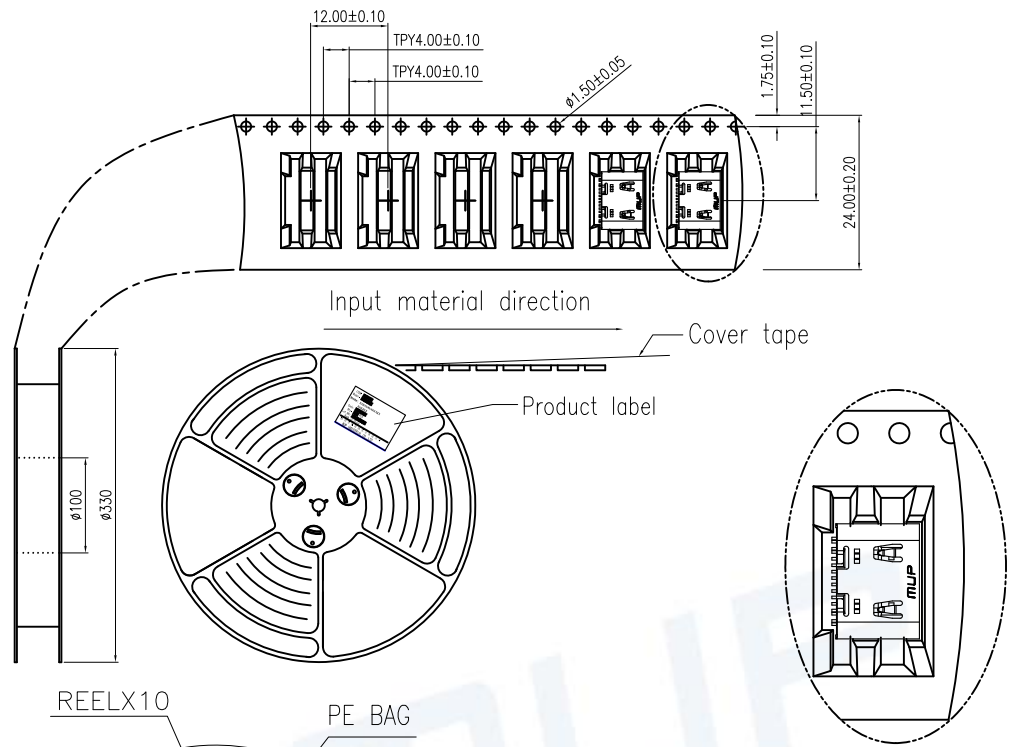
Unless Otherwise specified, other tolerance are:

MUP MUP INDUSTRIAL CO.,LTD.

X. ±0.40	X°. ±5'	NAME:	USB Type C SINGLE-Row SMT Receptacle		
X.X ±0.30	X.X° ±4'	MODEL No:	MUP-U20402-1		
X.XX ±0.25	X.XX° ±3'	TYPE :	16Pin & Without Post on board L=6.50		
X.XXX±0.15	X.XXX°±2'	PRAT NO.:	U20402-1	DWG NO. : DWG-U20402-1-001	
APPR.	LUCKY/2020.10.22	PROJ.	UNIT mm	SCALE 1:1	SHEET 1/2
CHKD.	LUCKY/2020.10.22	DRAW.	Roy/2020.10.22	REVISION 1	

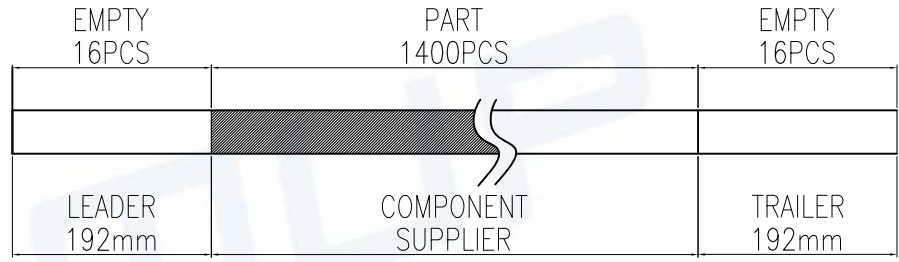


REV.	DESCRIPTION OF REVISIONS	APPR.	CHKD.	DRAW.	DATE
△	Original reversion	lucky	lucky	Roy	2020.10.22

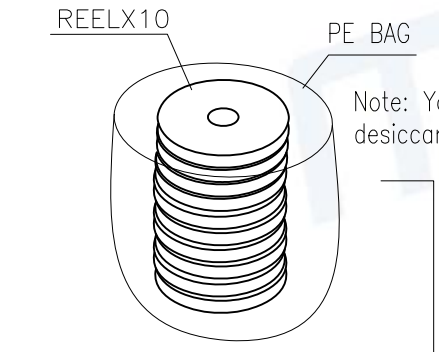


NOTES

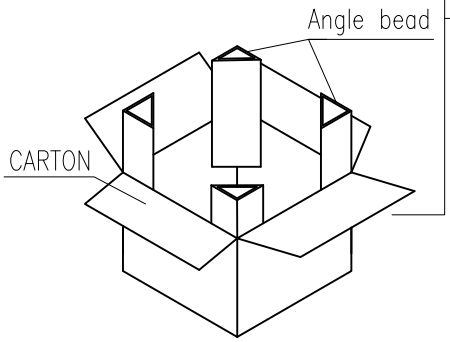
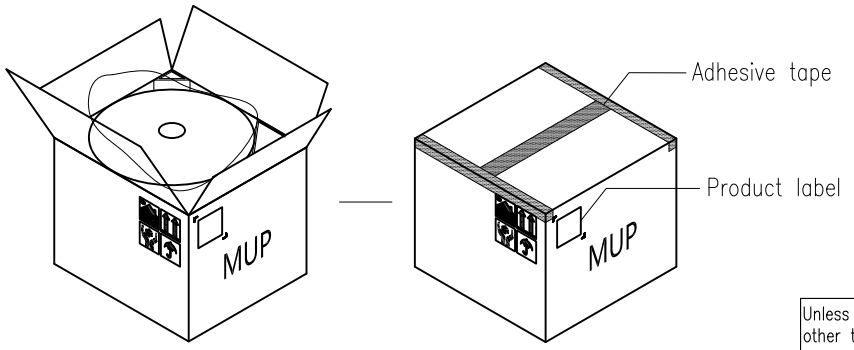
1. NUMBER OF CONNECTORS:1400PCS/REEL
2. LEAD TAPE LENGTH



3. QUANTITY:14000/CARTON
4. WEIGHT :
 - 4.1 NET WEIGHT : 5.5 Kg
 - 4.2 GROSS WEIGHT : 10.5 Kg



Direction of Production



Unless Otherwise specified, other tolerance are:

X. ±0.40	X°. ±5°
X.X ±0.30	X.X° ±4°
X.XX ±0.25	X.XX° ±3°
X.XXX±0.15	X.XXX°±2°

APPR.	LUCKY/2020.10.22
CHKD.	LUCKY/2020.10.22
DRAW.	Roy/2020.10.22

MUP MUP INDUSTRIAL CO.,LTD.	
NAME: USB Type C SINGLE-Row SMT Receptacle	
MODEL No: MUP-U20402-1	
TYPE : 16Pin & Without Post on board L=6.50	
PRAT NO.:	DWG NO.:
U20402-1	DWG-U20402-1-001
PROJ.	UNIT
mm	SCALE
1:1	SHEET
2/2	REVISION
1	1

