

# 規格承認書

PECIFICATION FOR APPROVAL

客戶

CUSTOMER : 通用型规格书

項目

ITEM : 驻极体电容咪头 (ECM) 单指向

型號

TYPE : GMBU4015CSC-47~-57DB

描述

DESCRIPTION :  $\phi 4.0 \times 1.5 \text{ MM}$  焊点 1033 范围-47~-57+/-3 dB  $\leq 2.2\text{K}\Omega$  S/N:  $\geq 68 \text{ dBA}$

客戶料號

CUSTOMER NO. :

規格書號

SPECIFICATION NO.: 会议、头戴、直播产品专用

版本

EDITION NO. : V1.0

日期

DATE : 2023-2-15

## 客戶承認

### CUSTOMER CONFIRM AND SIGN

檢查 TESTED BY	審核 CHECKED BY	承認 APPROVED BY

東莞市贏海電子有限公司

**DONGUAN INGHAI ELECTRONICS CO.,LTD**

製作 ISSUED BY	審查 CHECKED BY	確認 APPROVED BY
周明	李勇	

地址：廣東省東莞市長安鎮新崗路 43 號華茂大廈 15 樓

電話 / TEL: 0769-83060958 傳真 / FAX: 0769-81608993

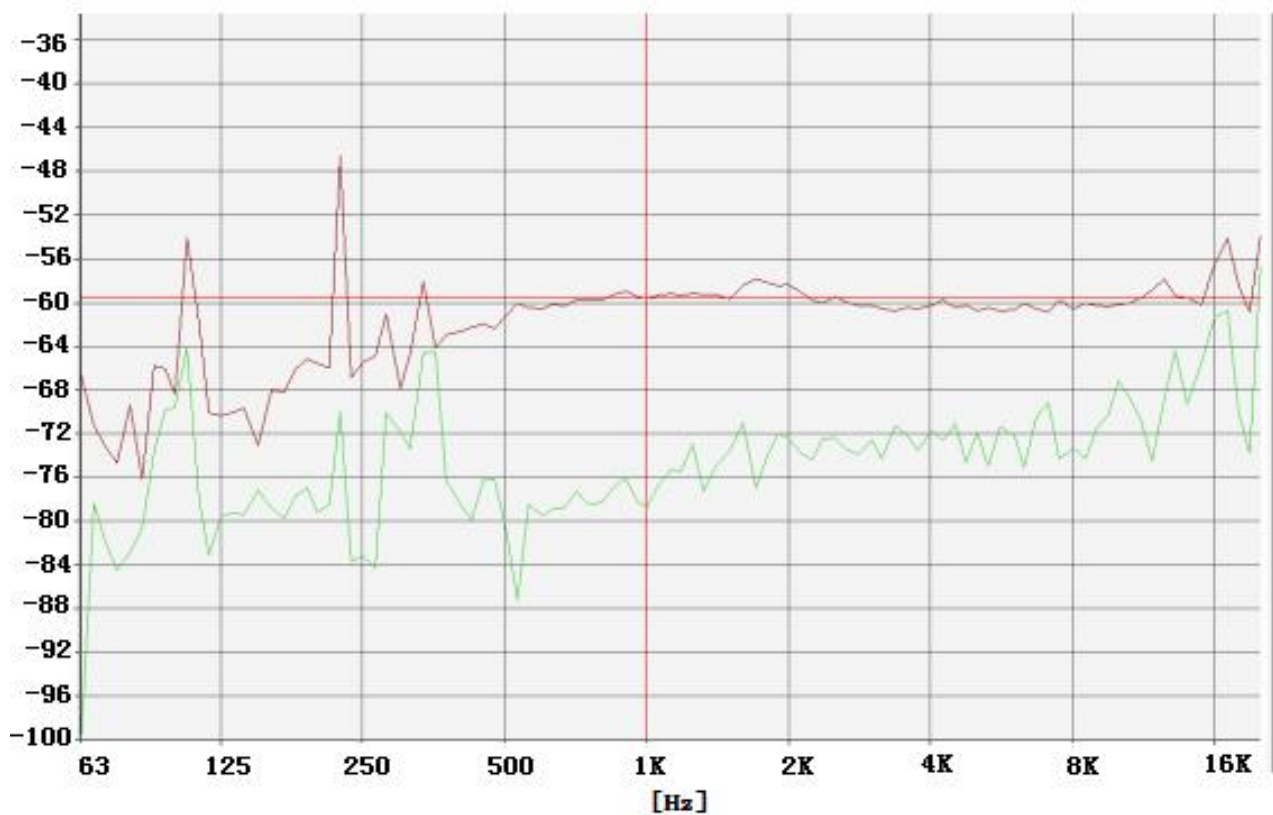
網址: [HTTP://WWW.INGHAI.COM](http://www.inghai.com)

## 1. Electrical characteristics:

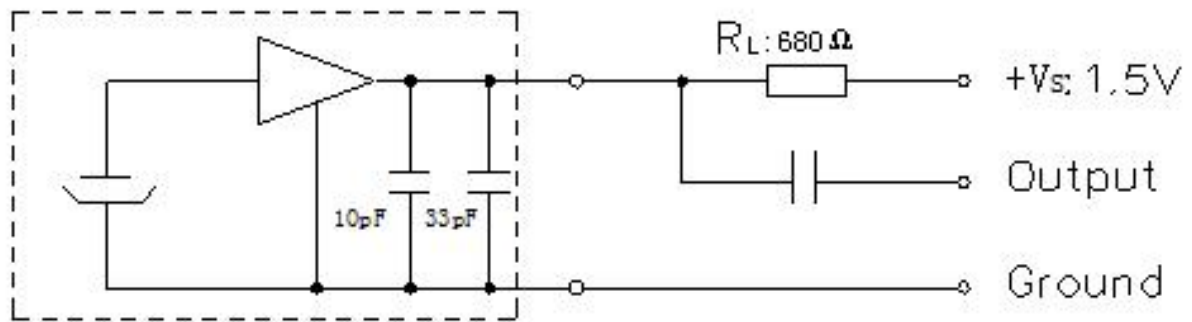
Directivity	Unidirectional
Pb contanation Requirement	Lead free
Charging type	Back plate
Sensitivity	-47~-57±3dB (0dB=1V/Pa, 1KHz)
Impedance	680 Ω
Standard operating voltage	1.5V
Operating voltage range	1V-10V
Current consumption	less than 500 μA
Voltage deduction characteristic	Within 3dB at 1.5V
S/N Ratio	More than 58dB (SPL=1Pa, 1KHz, A-weighting)

## 2. Frequency Response and Schematic Diagram:

### 2.1 Typical Frequency Response Curve:



## 2.2 Schematic Diagram:

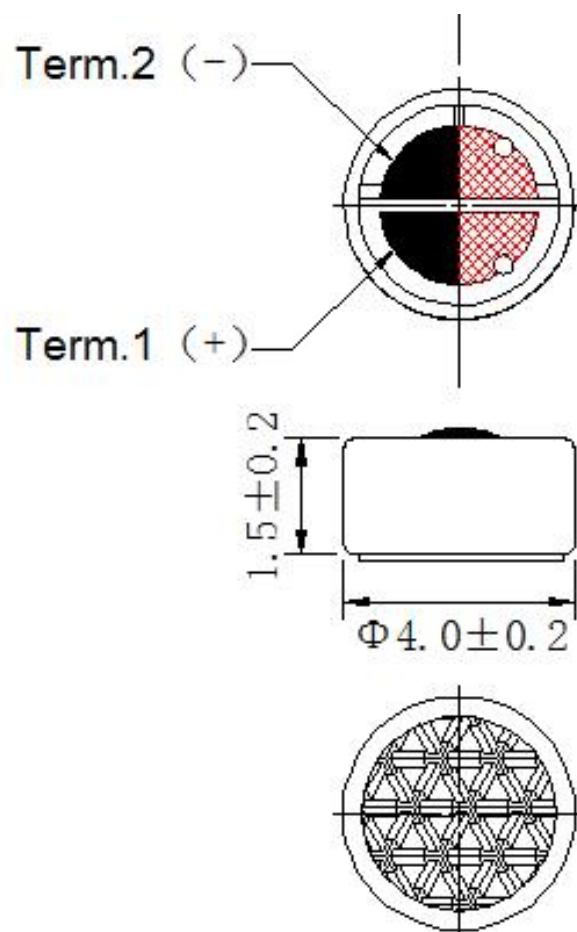


## 3. Mechanical characteristics:

3.1 Weight: Less than 0.5g

3.2 Dimension:

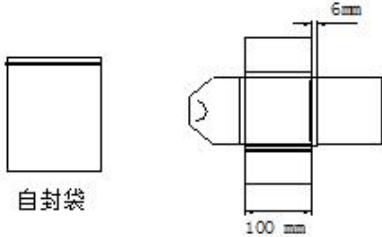
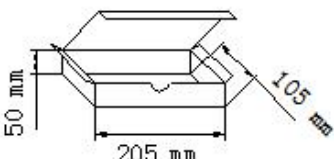
Unit:mm



## 4. Soldering Condition

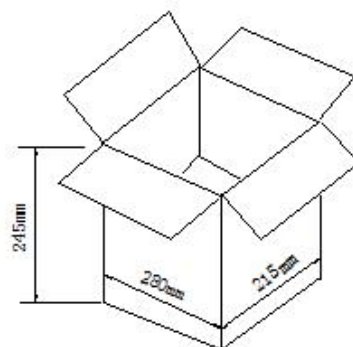
- 4.1 The soldering copper of a small type of 13~20W shall be applied.
- 4.2 The temperature of the working surface of the soldering copper shall be below 320°C.
- 4.3 ECM shall be soldered fixed on the metal block (heat sink), which has the higher radiation effects said heat sink shall contact with of ECM.
- 4.4 The soldering time for each terminal shall be 1~2 sec.
- 4.5 The pinhole after soldering shall be avoided.
- 4.6 ECM may easily destroyed by the static electricity and the countermeasure for eliminating the static electricity (the ground for soldering copper, for worktable and for human body) shall be executed

## 5.PACKAGING:

<p>小包装</p>	<p>SMALL PACKET 100mm*100mm*6mm 200PCS</p>	 <p>自封袋 小包装盒 (200只)</p>
<p>中包装</p>	<p>MID PACKET: 205mm*105mm*50mm 2800PCS</p>	 <p>中包装盒 (2800只)</p>

大包装

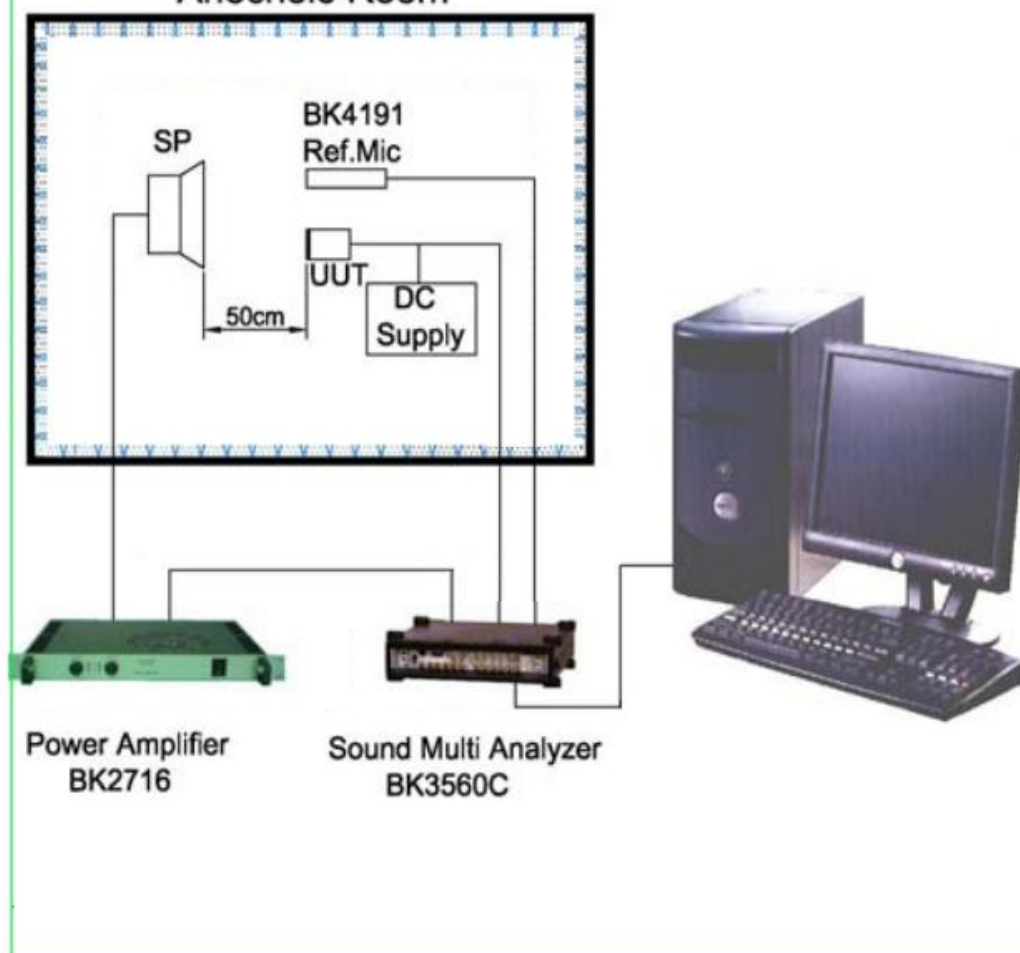
PAPER CASE:  
280mm\*215mm\*245mm  
28000PCS



大包装箱(28000只)

## 6. TEST SETUP DRAWING

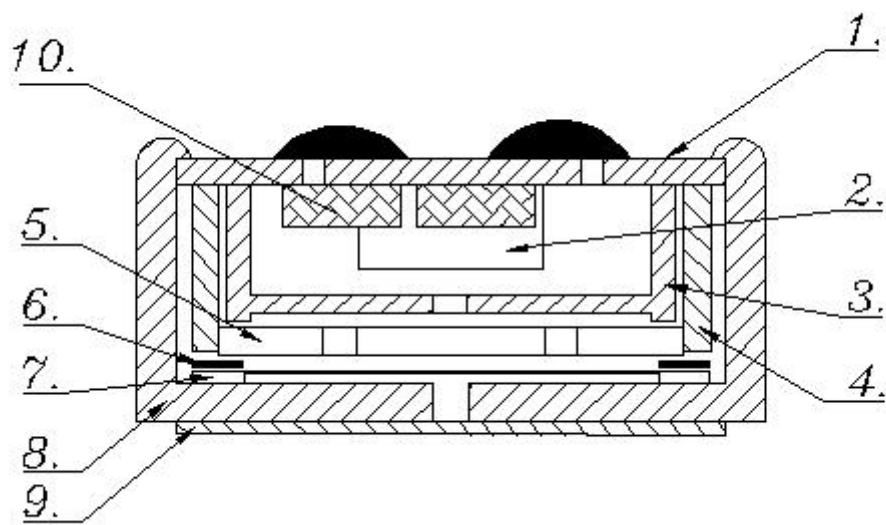
### Standard Frequency Response Test Anechoic Room



## 7. Reliability test:

	Item	Test condition	Evaluation
1	High temperature Test	The part shall be capable of with- standing a storage temperature of +70 °C for 200 hours.	After the test the ECM unit shall meet the requirement of no more than $\pm 3\text{dB}$ variation from initial sensitivity after 2 hours recovering.
2	Low temperature Test	The part shall be capable of with- standing a storage temperature of -20 °C for 200 hours.	
3	Temperature cycle test	The part shall be subjected to 5 cycle. One cycle shall consist of ( +70 °C ,30min → Room temp(+20°C), 10min→-20°C30min →Room temp(+20°C), 10min)	
4	Humidity Test	The part shall be capable of with- standing a storage of humidity of 90 ~ 95% at the +40°C for 200 hours.	
5	Drop Test	The microphone unit without package must be subjected to each 3 drops at three axes from the height of 1 meter to 20 mm thick hardwood board.	
6	Vibration Test	The microphone unit must be subjected to each 2 hours vibrations at three axes 2mm dynamic range, 10~50Hz/minute.	
7	Soldering Heat Resistance	Soldering iron of $+330 \pm 5^\circ\text{C}$ should be placed on the terminal for $2 \pm 0.5$ seconds.	

## 8.Drawing



1	PCB	7	背极膜
2	FET	8	外壳
3	连接环	9	防水网
4	塑环	10	电容
5	背极板	11	
6	垫片	12	