

30V N-Channel MOSFET
Product Summary

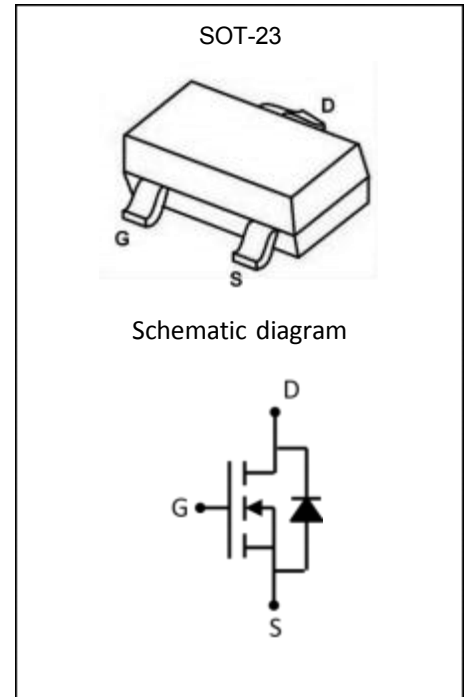
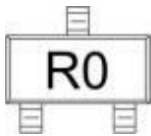
| $V_{(BR)DSS}$ | $R_{DS(on)MAX}$ | I_D |
|---------------|-----------------|-------|
| 30V | 35mΩ@10V | 5.8A |
| | 40mΩ@4.5V | |
| | 52mΩ@2.5V | |

Feature

- TrenchFET Power MOSFET
- Excellent $R_{DS(on)}$ and Low Gate Charge

Application

- DC/DC Converter
- Load Switch for Portable Devices
- Battery Switch

MARKING:

ABSOLUTE MAXIMUM RATINGS ($T_a=25^\circ\text{C}$ unless otherwise noted)

| Parameter | Symbol | Value | Unit |
|--|-----------------|-----------|------|
| Drain-Source Voltage | V_{DS} | 30 | V |
| Gate-Source Voltage | V_{GS} | ±12 | V |
| Continuous Drain Current | I_D | 5.8 | A |
| Pulsed Drain Current ⁽¹⁾ | I_{DM} | 30 | A |
| Power Dissipation | P_D | 0.35 | W |
| Thermal Resistance from Junction to Ambient ⁽²⁾ | $R_{\theta JA}$ | 357 | °C/W |
| Junction Temperature | T_J | -55~ +150 | °C |
| Storage Temperature | T_{STG} | -55~ +150 | °C |

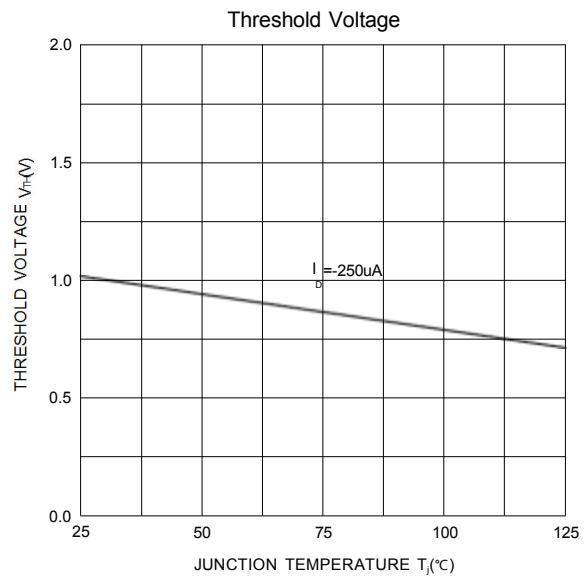
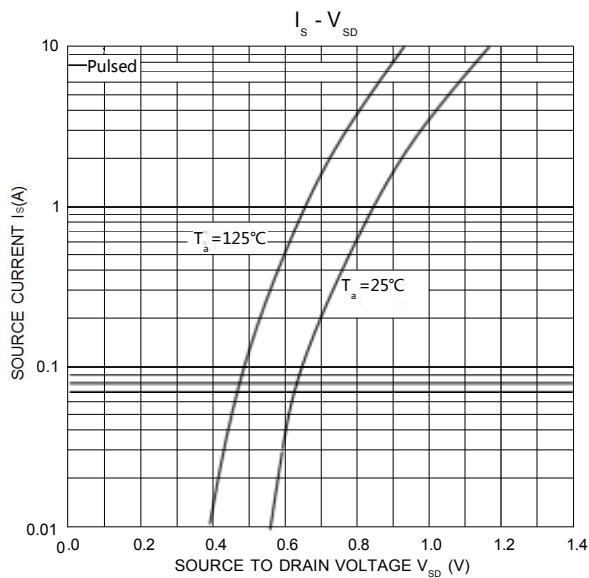
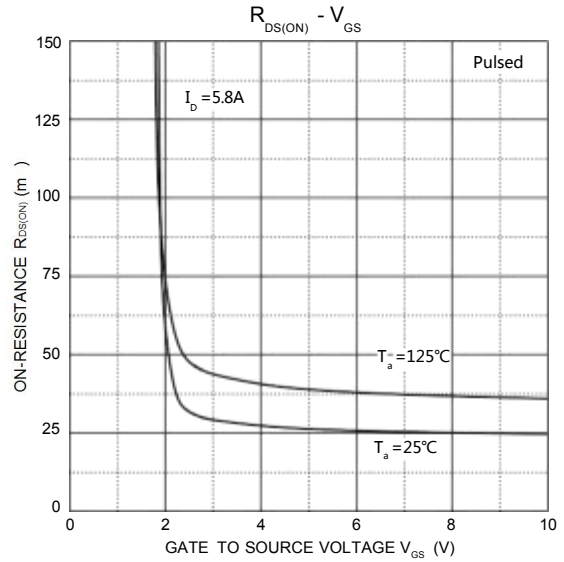
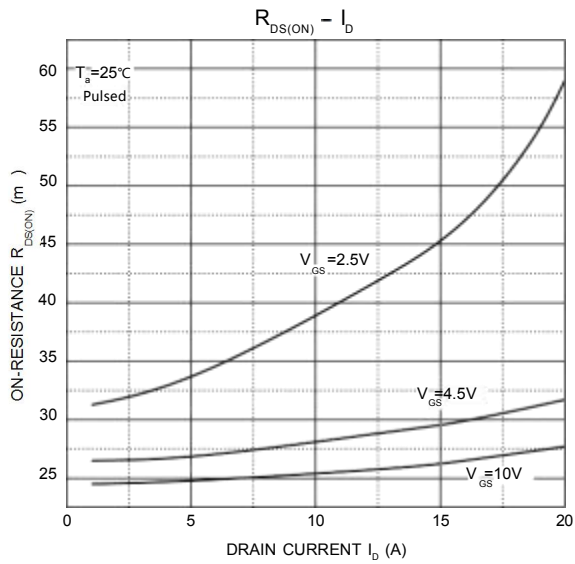
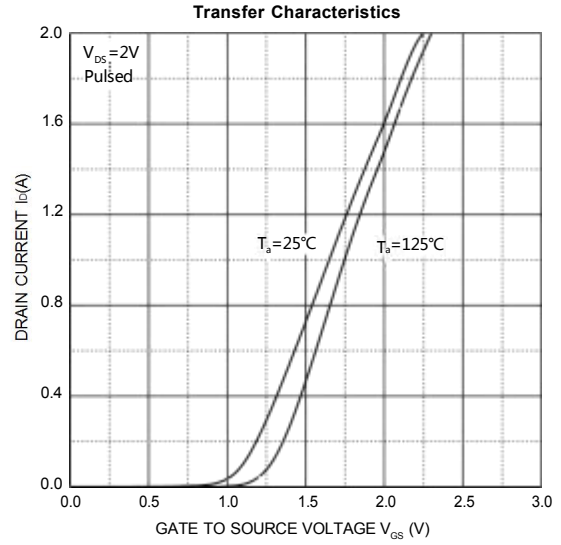
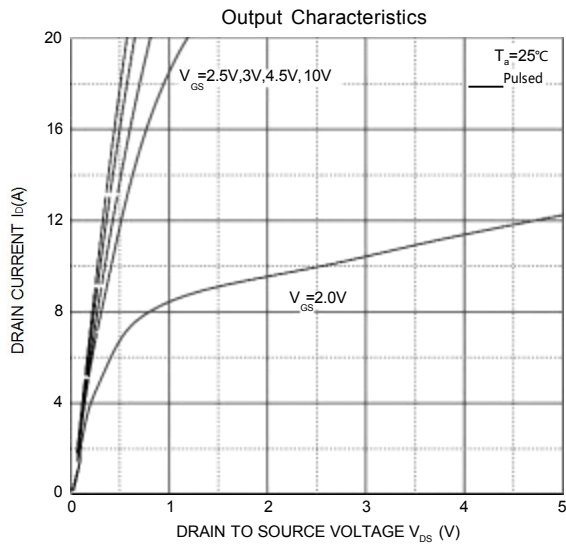
MOSFET ELECTRICAL CHARACTERISTICS(T_a=25°C unless otherwise noted)

| Parameter | Symbol | Test Condition | Min | Type | Max | Unit |
|--|----------------------|---|-----|------|------|------|
| Static Characteristics | | | | | | |
| Drain-source breakdown voltage | V _{(BR)DSS} | V _{GS} = 0V, I _D =250μA | 30 | | | V |
| Zero gate voltage drain current | I _{DSS} | V _{DS} =24V, V _{GS} = 0V | | | 1 | μA |
| Gate-body leakage current | I _{GSS} | V _{GS} =±12V, V _{DS} = 0V | | | ±0.1 | μA |
| Gate threshold voltage | V _{GS(th)} | V _{DS} =V _{GS} , I _D =250μA | 0.7 | | 1.4 | V |
| Drain-source on-resistance ⁽³⁾ | R _{DS(on)} | V _{GS} =10V, I _D =5.8A | | 27 | 35 | mΩ |
| | | V _{GS} =4.5V, I _D =5A | | 29 | 40 | |
| | | V _{GS} =2.5V, I _D =4A | | 38 | 52 | |
| Forward tranconductance | g _{FS} | V _{DS} =5V, I _D =5A | 8 | | | S |
| Dynamic characteristics⁽⁴⁾ | | | | | | |
| Input Capacitance | C _{iss} | V _{DS} =15V, V _{GS} =0V, f =1MHz | | | 1050 | pF |
| Output Capacitance | C _{oss} | | | 99 | | |
| Reverse Transfer Capacitance | C _{rss} | | | 77 | | |
| Gate resistance | R _g | V _{DS} =0V, V _{GS} =0V, f =1MHz | | | 3.6 | Ω |
| Switching Characteristics⁽⁴⁾ | | | | | | |
| Turn-on delay time | t _{d(on)} | V _{GS} =10V, V _{DS} =15V, R _L =2.7Ω, R _{GEN} =3Ω | | | 5 | ns |
| Turn-on rise time | t _r | | | | 7 | |
| Turn-off delay time | t _{d(off)} | | | | 40 | |
| Turn-off fall time | t _f | | | | 6 | |
| Source-Drain Diode characteristics | | | | | | |
| Diode Forward voltage ⁽³⁾ | V _{DS} | V _{GS} =0V, I _S =1A | | | 1 | V |

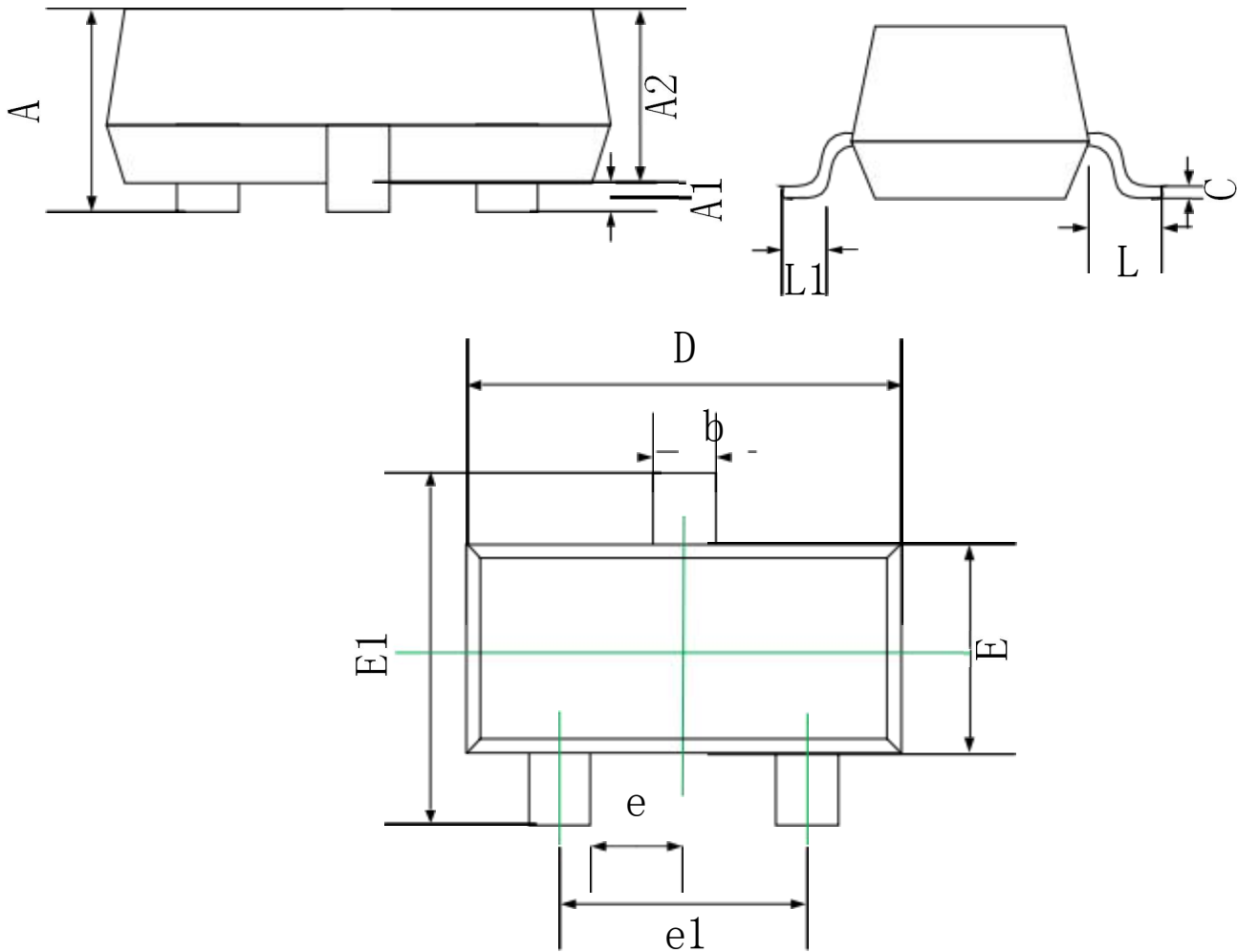
Note :

1. Repetitive Rating : Pulse width limited by maximum junction temperature.
2. Surface Mounted on FR4 Board, t < 5 sec.
3. Pulse Test : Pulse Width≤300μs, Duty Cycle ≤ 2%.
4. Guaranteed by design, not subject to production testing.

Typical Electrical and Thermal Characteristics



SOT-23 Package Information

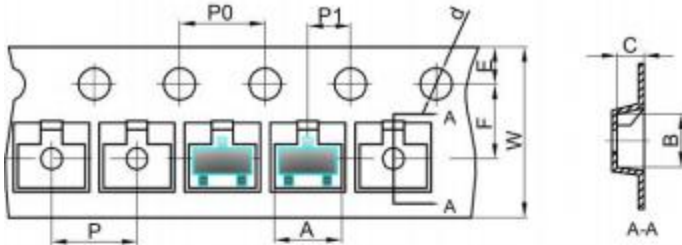


| Symbol | Dimensions In Millimeters | |
|--------|---------------------------|------|
| | Min. | Max. |
| A | 0.90 | 1.15 |
| A1 | 0.00 | 0.10 |
| A2 | 0.90 | 1.05 |
| b | 0.30 | 0.50 |
| c | 0.08 | 0.15 |
| D | 2.80 | 3.00 |
| E | 1.20 | 1.40 |
| E1 | 2.25 | 2.55 |
| e | 0.95 REF. | |
| e1 | 1.80 | 2.00 |
| L | 0.55 REF. | |
| L1 | 0.30 | 0.50 |

SOT-23 Tape and Reel

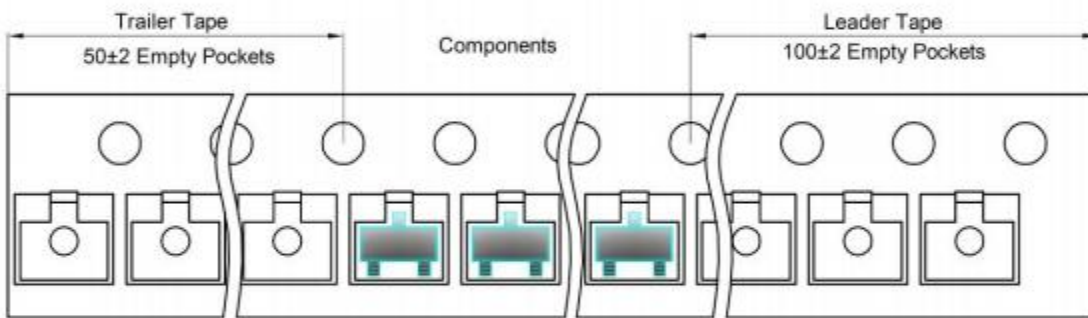
SOT-23 Tape and reel

SOT-23 Embossed Carrier Tape

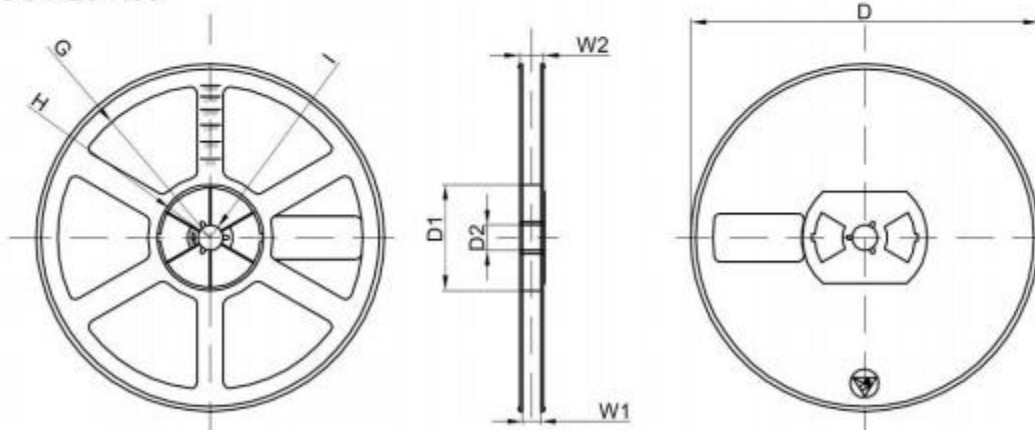


| Dimensions are in millimeter | | | | | | | | | | |
|------------------------------|------|------|------|-------|------|------|------|------|------|------|
| Pkg type | A | B | C | d | E | F | P0 | P | P1 | W |
| SOT-23 | 3.15 | 2.77 | 1.22 | Ø1.50 | 1.75 | 3.50 | 4.00 | 4.00 | 2.00 | 8.00 |

SOT-23 Tape Leader and Trailer



SOT-23 Reel



| Dimensions are in millimeter | | | | | | | | |
|------------------------------|---------|-------|-------|--------|--------|-------|------|-------|
| Reel Option | D | D1 | D2 | G | H | I | W1 | W2 |
| 7" Dia | Ø178.00 | 54.40 | 13.00 | R78.00 | R25.60 | R6.50 | 9.50 | 12.30 |

| REEL | Reel Size | Box | Box Size(mm) | Carton | Carton Size(mm) | G.W.(kg) |
|----------|-----------|------------|--------------|-------------|-----------------|----------|
| 3000 pcs | 7 inch | 30,000 pcs | 203×203×195 | 120,000 pcs | 438×438×220 | |

Disclaimers:

Reasunos Semiconductor Technology CO.,LTD(Reasunos)reserves the right to make changes without notice in order to improve reliability,function or design and to discontinue any product or service without notice .Customers should obtain the latest relevant information before orders and should verify that such information in current and complete.All products are sold subject to Reasunos's terms and conditions supplied at the time of order acknowledgement.

Reasunos Semiconductor Technology CO.,LTD warrants performance of its hardware products to the specifications at the time of sale.Testing,reliability and quality control are used to the extene Reasunos deems necessary to support this warrantee. Except where agreed upon by contractual agreement,testing of all parameters of each product is not necessarily performed.

Reasunos Semiconductor Technology CO.,LTD does not assume any liability arising from the use of any product or circuit designs described herein.Customers are responsible for their products and applications using Reasunos's components.To minimize risk,customers must provide adequate design and operating safeguards.

Reasunos Semiconductor Technology CO.,LTD does not warrant or convey any license either expressed or implied under its patent rights,nor the rights of others.Reproduction of information in Reasunos's data sheets or data books is permissible only if reproduction is without modification or alteration.Reproduction of this information with any alteration is an unfair and deceptive business practice. Reasunos Semiconductor Technology CO.,LTD is not responsible or liable for such altered documentation.

Resale of Reasunos's products with statements different from or beyond the parameters stated by Reasunos Semiconductor Technology CO.,LTD for that product or service voids all express or implied warranties for the associated Reasunos's product or service and is unfair and deceptive business practice. Reasunos Semiconductor Technology CO.,LTD is not responsible or liable for such statements.

Life Support Policy:

Reasunos Semiconductor Technology CO.,LTD's Products are not authorized for use as critical components in life support devices or systems without the expressed written approval of Reasunos Semiconductor Technology CO.,LTD.

As used herein:

- 1.Life support devices or systems are devices or systems which:
 - a.are intended for surgical implant into the human body,
 - b.support or sustain life,
 - c.whose failuer to when properly used in accordance with instructions for used provided in the laeling,can be reasonably expected to result in significant injury to the user.

 - 2.A critical component is any component of a life support device or system whose failure to system whose failure to perform can be reasonably expected to cause the failure of the life support device or system,or to affect its safety or effectiveness.
-