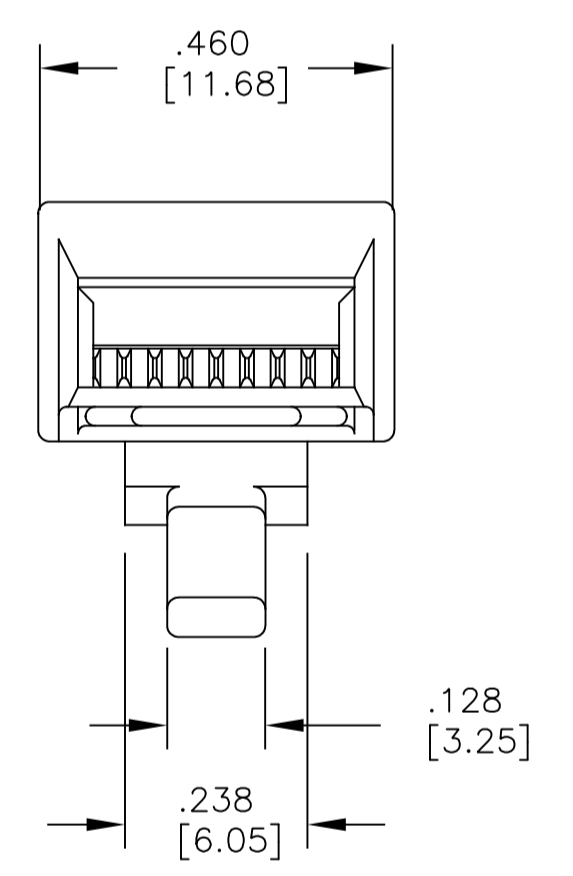
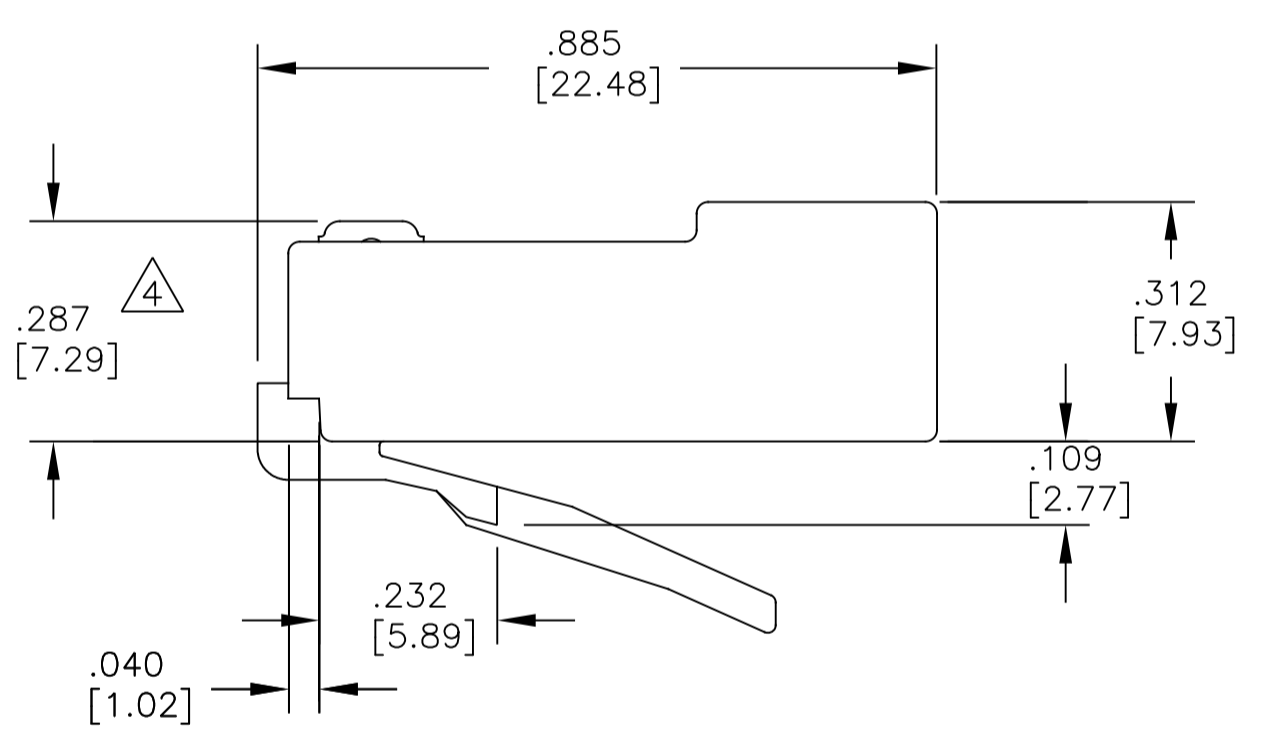
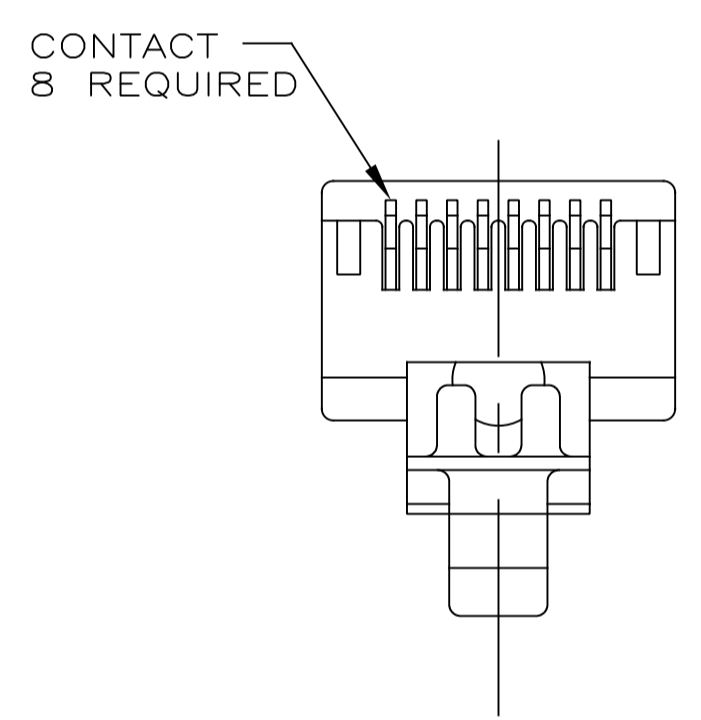
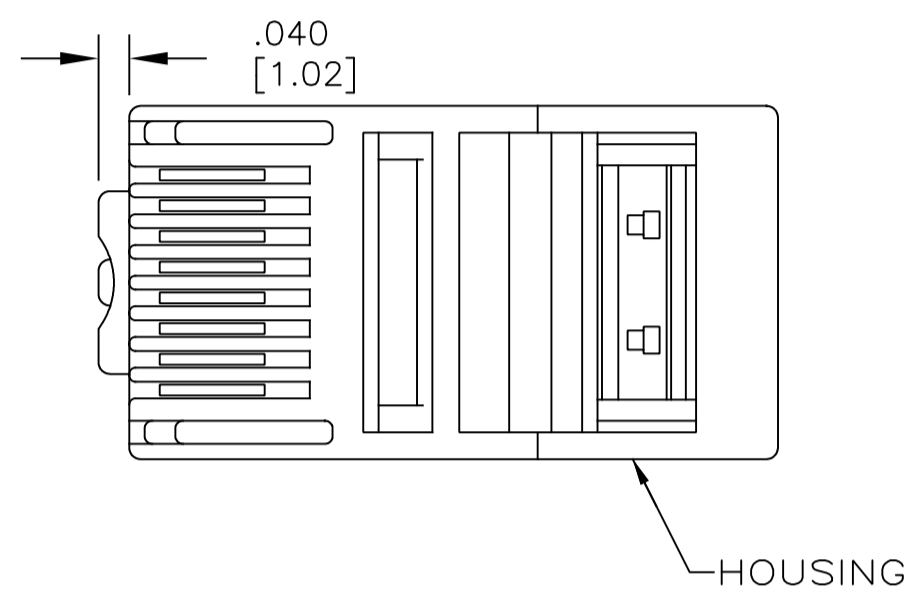


REVISIONS				
P	LTR	DESCRIPTION	DATE	OWN APVD
B		REV. MCO-40026563MCO	16NOV2015	HG JG
C		REV PER ECN BNS_CD_BRAND	21JAN2017	GG DC
D		40060283CMO	07MAR2018	GG MS

# MP-88U-F

PACKAGE SIZE 5 = 500 1 = 100	COUNTRY CODE KO = KOREA CH = CHINA TW = TAIWAN
------------------------------------	---

1. DIMENSIONS ARE NOMINAL UNLESS OTHERWISE SPECIFIED.
2. MATERIAL: HOUSING- POLYCARBONATE, CLEAR TERMINAL- .305 [.012] THICK PHOSPHOR BRONZE PLATED WITH 1.27[M [.00005] MINIMUM THICK GOLD IN LOCALIZED PLATE AREA OVER 2.54[M [.000100] MINIMUM THICK NICKEL UNDERPLATE.
3. PLUGS WILL ACCEPT 24 TO 26 AWG SOLID OR STRANDED CONDUCTORS WITH A SINGLE INSULATION DIAMETER OF 0.86-0.99[.034-.039].
4. TERMINATED DIMENSION 5.89 [.232] - 6.15 [.242].
5. UL RECOGNIZED FILE NUMBER E114344.



UNSHIELDED MOD PLUG

PACKAGE	COUNTRY	MATERIAL	CATALOG NO.
100	KOREA	7-554720-3	MP-88U-F-1-KO
100	CHINA	8-554720-3	MP-88U-F-1-CH
100	TAIWAN	9-554720-3	MP-88U-F1-TW
50	INDONESIA	6-554720-2	MP-88U-F-5

THIS DRAWING IS A CONTROLLED DOCUMENT.

DWG: H.GAUL CHK: J.GENIAC APPD: J.GENIAC	20AUG2015 20AUG2015 20AUG2015	<b>COMMSCOPE, INC.</b>
NAME: KIT, MOD PLUG, 8 POSITION, 8 CONTACTS		
DIMENSIONS: INCHES [mm]	TOLERANCES UNLESS OTHERWISE SPECIFIED:	PRODUCT SPEC: 108-1163 APPLICATION SPEC: 114-6016
0 PLC ± -	1 PLC ± -	
2 PLC ± -	3 PLC ± .005	SIZE: A1
4 PLC ± -	ANGLES ± -	CAGE CODE: -
MATERIAL:	FINISH:	DRAWING NO: ©=2843029
CUSTOMER DRAWING		RESTRICTED TO: -
SCALE: 4:1		SHEET 1 OF 1
		REV D