

Feature

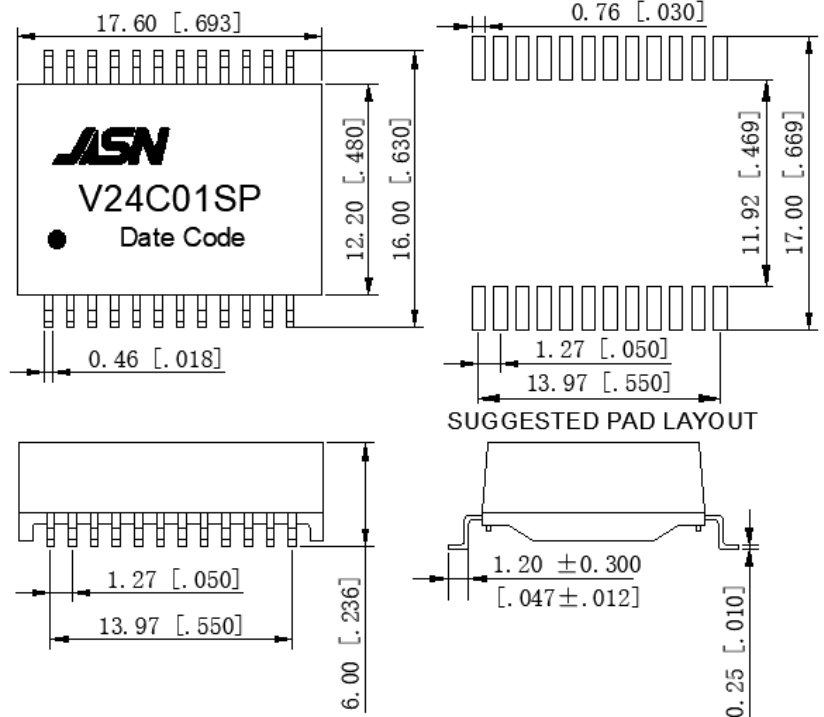
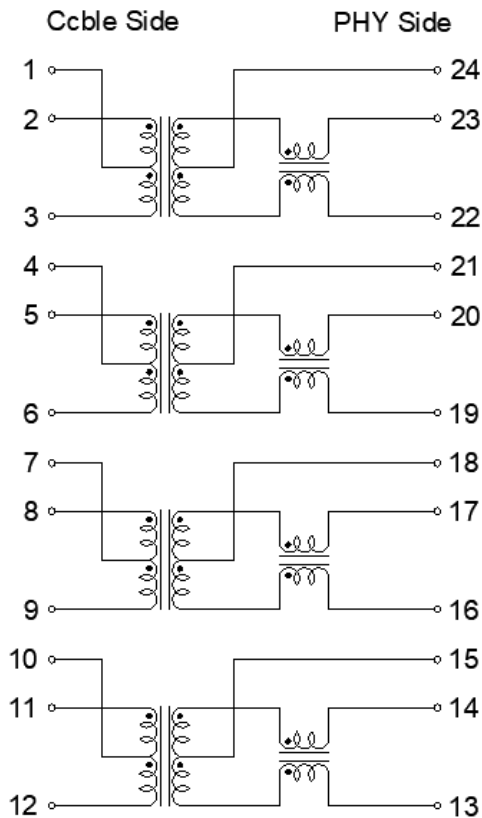
- Comply with IEEE802.3bz&802.3at
- Comply with RoHS requirements.
- Suitable for End-span PoE applications with 720mA current capability
- Operating temperature range: -40°C to +85°C.
- Storage temperature range: -40°C to +105°C.

Electrical Specifications @ 25°C

OCL:	180uH Min. @100KHz/0.1V
Hi-POT :	1500Vrms
Turn Ratio:	1:1±3%
D.C.R:	1.0 ohm Max
Insertion Loss:	-1.0dB Max@1-100MHz
	-1.5dB Max@100-125MHz
Cross Talk :	-30dB Min@1-125MHz
CMRR:	-30dB Min@1-125MHz
Return Loss:	-16dB Min @1-40MHz
	-16+10log(f/40MHz)dB Min@40-250MHz

Schematic

Mechanical



1.Unless otherwise specified, all tolerances are ±0.25[.01]

2.Corplanarity:0.1[.004]

3.Unit mm[inch]