

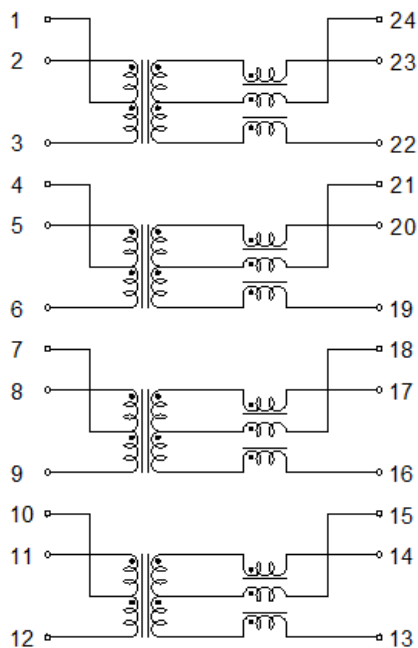
Feature

- Compliant with IEEE 802.3an standard..
- Comply with RoHS requirements.
- Operating temperature range: 0°C to +70°C.
- Storage temperature range: -25°C to +105°C.

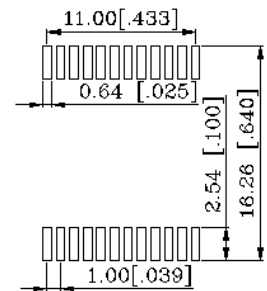
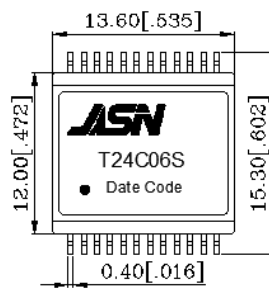
Electrical Specifications @ 25°C

OCL:	120uH Min. @100KHz/0.1V
Hi-POT :	1500Vrms
Turn Ratio:	1CT:1CT±3%
LK:	0.5uH Max @100KHz/0.2V
Cw/w	35pF Max @100KHz/0.2V
D.C.R:	1.0 ohm Max
Insertion Loss:	-1.5dB Max @1-250MHz
	-3.0dB Max @250-500MHz
Return Loss:	-16dB Min @1-40MHz
	-16+10log(f/40)dB Min @40-500MHz
Cross Talk :	-35dB Min @1-100MHz
	-30dB Min @100-500MHz
CMRR:	-30dB Min @1-250MHz
	-20dB Min @250-500MHz
CDMR:	-30dB Min @1-250MHz
	-20dB Min @250-500MHz

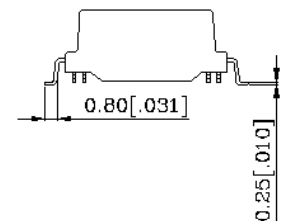
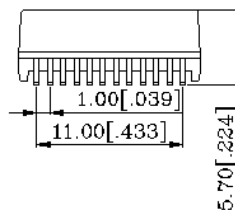
Schematic



Mechanical



SUGGESTED PAD LAYOUT



2.Coplanarity:0.1[.004]

3.Unit mm