

Feature

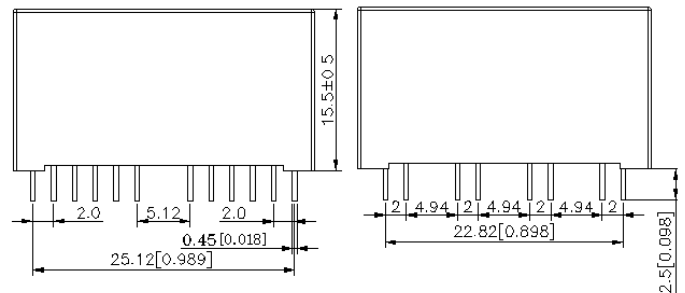
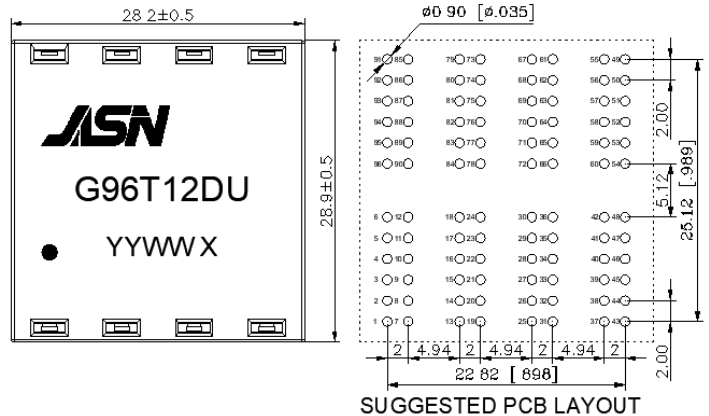
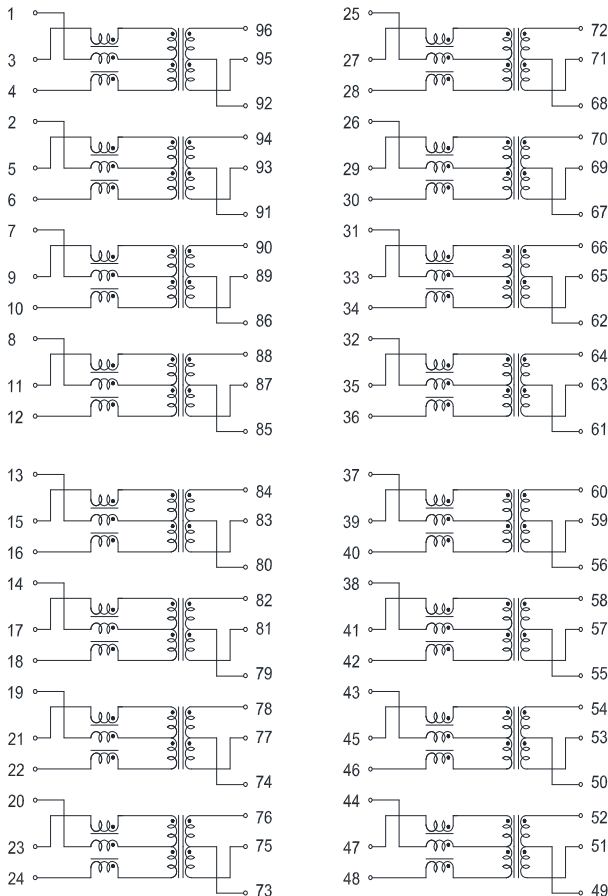
- Compliant with IEEE802.3bt standard.
- Comply with RoHS requirements.
- Designed to support applications up to 1100mA Per centre tap.
- Operating temperature range: -40°C to +85°C.
- Storage temperature range: -40°C to +125°C.

Electrical Specifications @ 25°C

OCL:	350uH Min. @100KHz/0.1V with 18mA DC Bias	
Hi-POT :	1500Vrms	
Turn Ratio:	1:1±3%	
LK:	0.5uH Max @100KHz/0.2V	
Cw/w	35pF Max @100KHz/0.2V	
D.C.R:	1.4 ohm Max	
Insertion Loss:	1-100MHz: -1.4dB Max	
Cross Talk :	1-100MHz: -30dB Min	
CMRR:	1-100MHz: -30dB Min	
Return Loss:	1-40MHz	40-100MHz
	-16dB Min	-10+20log(f/80)dB Min

Schematic

Mechanical



1. Unit: mm[inch]

2. Unless otherwise specified, all tolerances are ±0.25[.01]