



# SL54BF

Reverse Voltage 40 Volts Forward Current - 5.0 Ampere

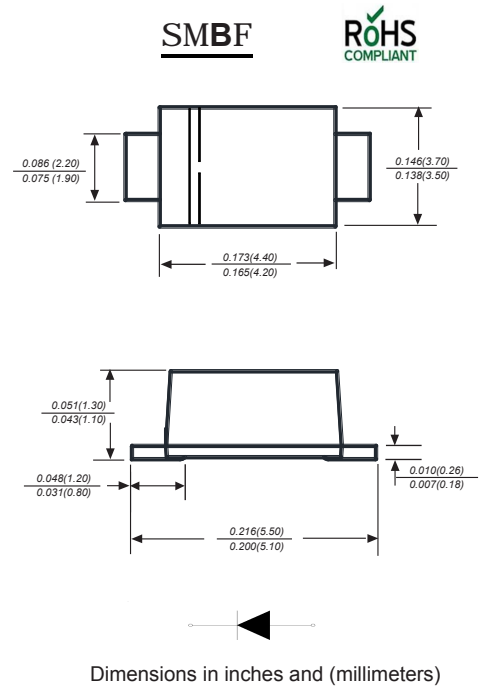
## SURFACE MOUNT SCHOTTKY BARRIER RECTIFIER

### Features

- ◆ Metal silicon junction, majority carrier conduction
- ◆ For surface mounted applications
- ◆ Low power loss, high efficiency
- ◆ High forward surge current capability
- ◆ For use in low voltage, high frequency inverters, free wheeling, and polarity protection applications

### Mechanical Data

Case: JEDEC ÛT BØ molded plastic body  
 Terminals: Solderable per MIL-STD-750, Method 2026Å  
 Polarity: Polarity symbol marking on body  
 Mounting Position: Any  
 Weight: 0.002 ounce, 0.057 grams



### Maximum Ratings And Electrical Characteristics

Ratings at 25 C ambient temperature unless otherwise specified.

Single phase half-wave 60Hz, resistive or inductive load, for capacitive load current derate by 20%.

Parameter	SYMBOLS	MDD SL54BF	UNITS
Marking Code			
Maximum repetitive peak reverse voltage	$V_{RMM}$	40	V
Maximum RMS voltage	$V_{RMS}$	28	V
Maximum DC blocking voltage	$V_{DC}$	40	V
Maximum average forward rectified current at $T_L=65^\circ C$	$I_{(AV)}$	5.0	A
Peak forward surge current 8.3ms single half sine-wave superimposed on rated load (JEDEC Method)	$I_{FSM}$	130	A
Maximum instantaneous forward voltage at 5.0A	$V_F$	0.45	V
Maximum DC reverse current $T_A=25^\circ C$ at rated DC blocking voltage $T_A=100^\circ C$	$I_R$	0.3 40	mA
Typical junction capacitance (NOTE 1)	$C_J$	280	pF
Typical thermal resistance (NOTE 2)	$R_{\theta JA}$	45	$^\circ C/W$
Operating storage temperature range	$T_J$	-55 to +125	$^\circ C$
Operating junction temperature range	$T_{STG}$	-55 to +150	$^\circ C$

**Note:** 1. Measured at 1MHz and applied reverse voltage of 4.0V D.C.  
 2. P.C.B. mounted with 2.0"x2.0" (5x5cm) copper pad areas



# SL54BF

Reverse Voltage - 40 Volts Forward Current - 5.0 Ampere

## Typical Characteristics

Fig.1 Forward Current Derating Curve

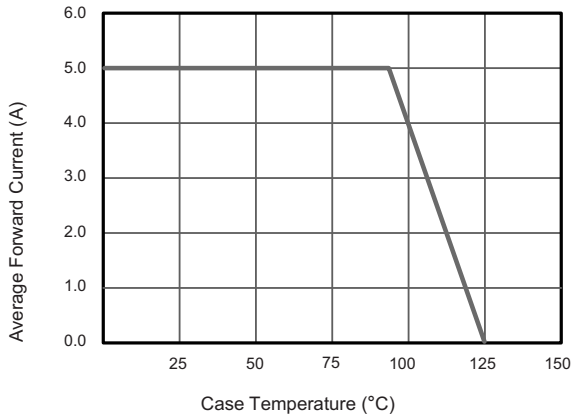


Fig.2 Typical Reverse Characteristics

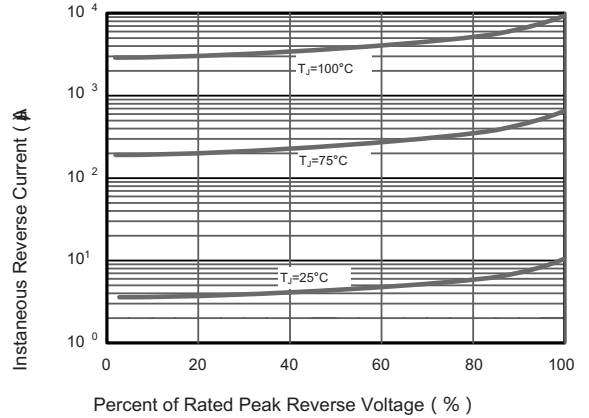


Fig.3 Typical Forward Characteristic

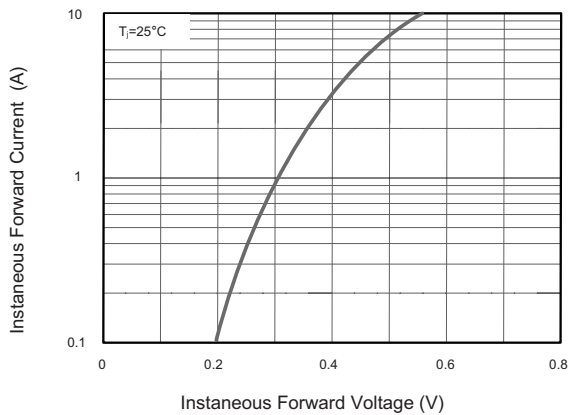


Fig.4 Typical Junction Capacitance

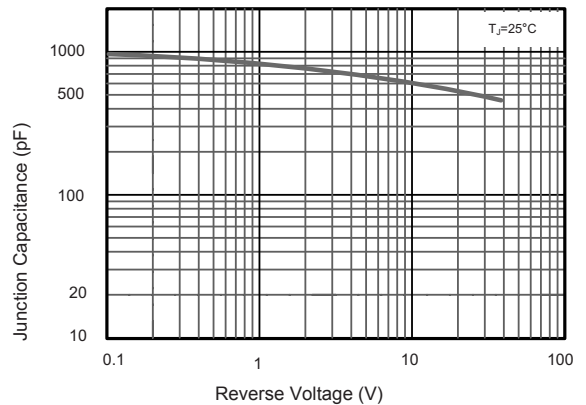


Fig.5 Maximum Non-Repetitive Peak Forward Surge Current

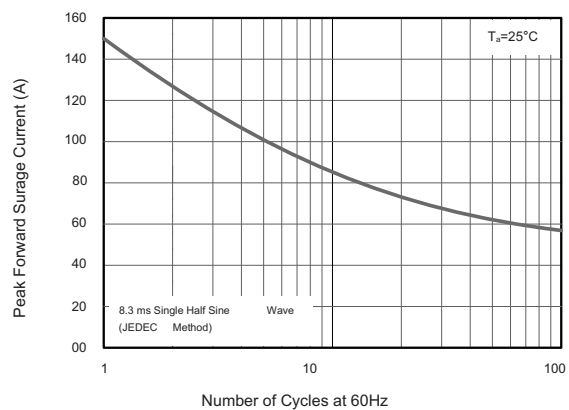
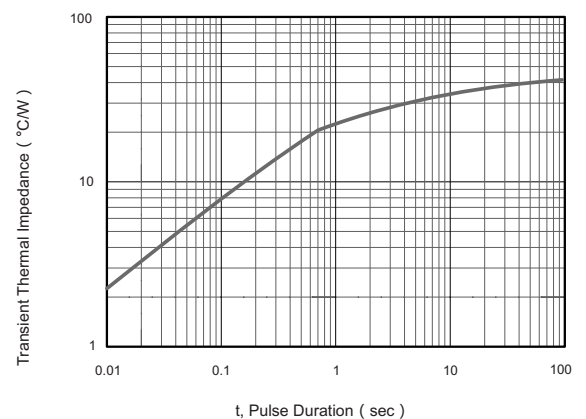


Fig.6- Typical Transient Thermal Impedance



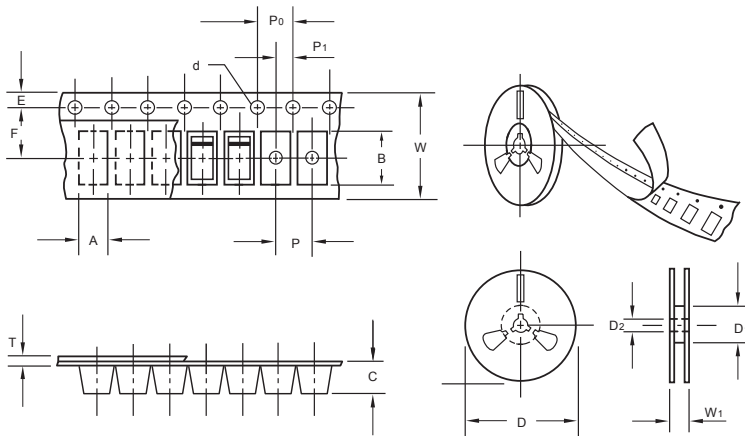
The curve above is for reference only.



# SL54BF

Reverse Voltage -40 Volts Forward Current - 5.0 Ampere

## Packing information



unit:mm

Item	Symbol	Tolerance	SMBF
Carrier width	A	0.1	3.81
Carrier length	B	0.1	5.61
Carrier depth	C	0.1	1.60
Sprocket hole	d	0.05	1.50
13" Reel outside diameter	D	2.0	330.00
13" Reel inner diameter	D <sub>1</sub>	min	50.00
Feed hole diameter	D <sub>2</sub>	0.5	13.00
Sprocket hole position	E	0.1	1.75
Punch hole position	F	0.1	5.50
Punch hole pitch	P	0.1	4.00
Sprocket hole pitch	P <sub>0</sub>	0.1	4.00
Embossment center	P <sub>1</sub>	0.1	2.00
Overall tape thickness	T	0.1	0.30
Tape width	W	0.3	12.00
Reel width	W <sub>1</sub>	1.0	12.30

Note: Devices are packed in accordance with EIA standard RS-481-A and specifications listed above.

## Reel packing

PACKAGE	REEL SIZE	REEL (pcs)	COMPONENT SPACING (mm)	BOX (pcs)	INNER BOX (mm)	REEL DIA. (mm)	CARTON SIZE (mm)	CARTON (pcs)	APPROX. GROSS WEIGHT (kg)
SMBF	13"	5,000	4.0	10,000	190*190*41	330	365*365*360	80,000	14.0

## Suggested Pad Layout



Symbol	Unit (mm)	Unit (inch)
A	2.54	0.100
B	1.8	0.071
C	4.8	0.189
D	3.0	0.118
E	6.6	0.260