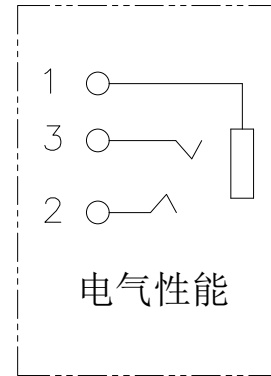
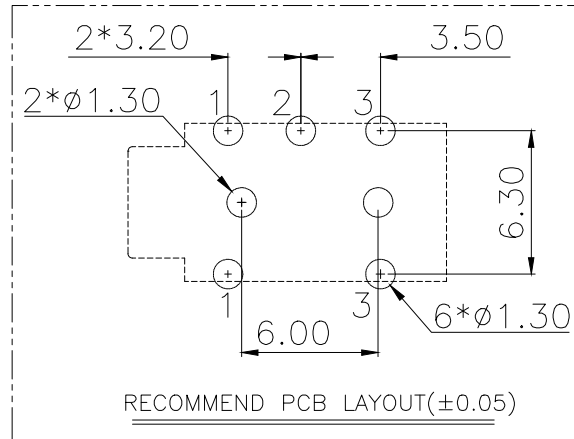
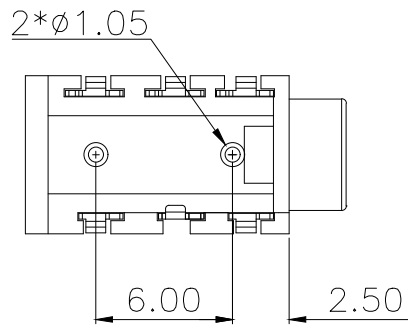


NOTES:

1. MATERIAL:
  - 1.1. HOUSING: PA46, COLOR IS BLACK;
  - 1.2. CONTACT: PHOSPHOR COPPER (C5191, T=0.25mm);
2. ELECTRICAL:
  - 2.1. VOLTAGE RATING: 30 VAC RMS;
  - 2.2. CURRENT RATING: 0.5 AMP;
  - 2.3. CONTACT RESISTANCE: 30MILLIOHMS MAX.;
  - 2.4. WITHSTAND VOLTAGE: 500 VAC RMS  
50(60)Hz, 1MIN.;
  - 2.5. INSULATION RESISTANCE: 100MEGOHMS MIN  
@500V DC;
3. MECHANICAL:
  - 3.1. MATING FORCE: 5~25N;
  - 3.2. UNMATING FORCE: 5~25N;
  - 3.3. OPERATING LIFE: 5000 CYCLES;
4. PLATING:
  - 4.1. TERMINAL:  
NI PLATING OVER ALL,  
TIN PLATING ON SOLDER AREA,
5. ENVIRONMENTAL:
  - 5.1. STORAGE TEMPERATURE RANGE: -40°C~+85°C;
  - 5.2. OPERATION TEMPERATURE RANGE: -25°C~+70°C;
6. SALT SPRAY TEST: 8H (EXCLUDING RIVETED BENDS)



序号	品名	材质	电镀/颜色	备注
A	基座	PA46	黑色	
B	端子	C5191	焊区镀锡 全周镀镍	

			GENERAL TOLERANCE		制图 DRAWING		深圳市华灿天禄电子有限公司 ShenzhenhuacantianluELECTRONICS CO., LTD			
			DIM	TOL	审核 CHECK		产品名称 TITLE	313耳机3节弯脚6.8 黑色	版本 REV.	A
			X.X	±0.30	批准 APPROVAL		产品料号 PART NO.	HC-PJ-3133-5P-D	单位 UNITS	mm
1	初版发行		X.XX	±0.20	比例 SCALE		材料 MATERIAL		页次 SHEET	1/1
序号 No.	变更内容 MODIFY CONTENT	日期 MODIFY DATE	X.XXX	±0.10	投影 Projection					
			Angle	±3.0°						