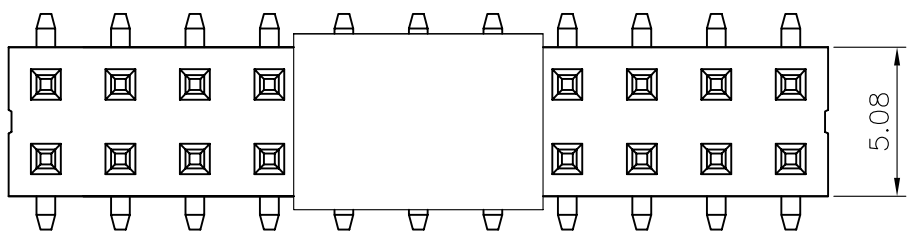
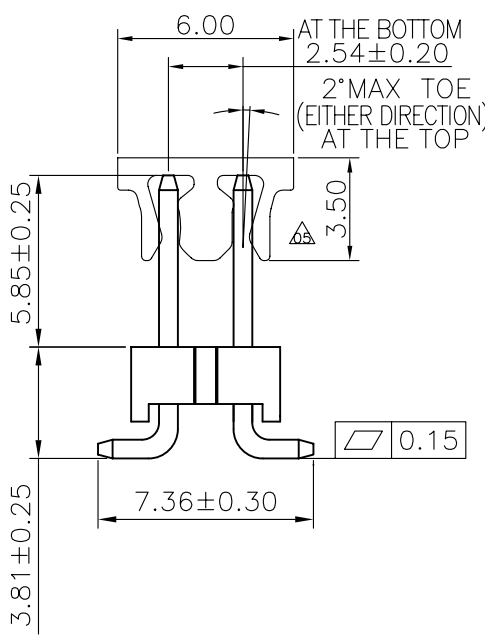
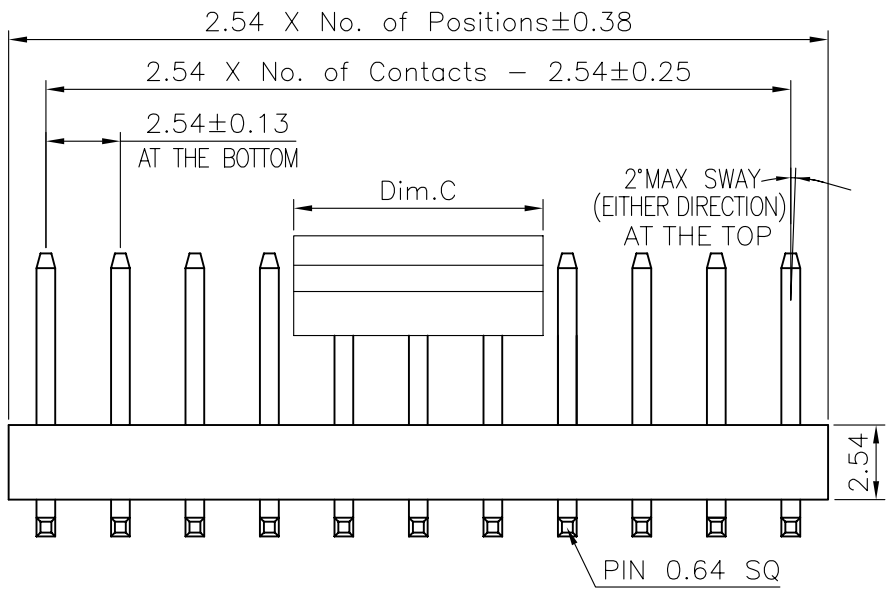


REV.	LOCAS.	DESCRIPTION	DATE	DRAWN
04	△△	變更圖號	2011.01.22	曹照
05	△△	依上級要求變更CAP外觀	2013.10.31	李芳忠

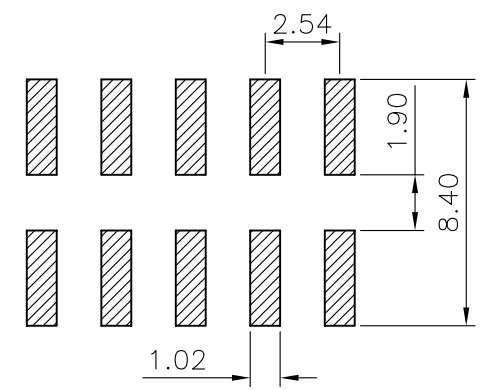


Dim.C	NOTE
5mm	02pins
6mm	03~08pins
8.50mm	09~40pins

Specifications
 Current Rating:3Amp
 Insulation Resistance:1000MΩMin.
 Dielectric Withstanding Voltage:600VAC
 Contact Resistance:20mΩMax.
 Operating Temperature:-40°C to +105°C
 Materials
 Contact Material: Brass
 Insulator Material:High Temperature Thermoplastic, UL 94V-0 LCP or the equivalent material
 All materials must meet Greenconn requirement for environment protection.



Recommended P.C.Board Layout
 (Tolerance:±0.05)



Ordering Information

G PHC201 - XX XX A 018 C 1 B X

No. of Pins per Row 02~40
 Standard Plating 02=Gold Flash
 Selective Plating 01=Tin 05=Gold Flash/Tin
 Color 1=Black
 Standard Packing C=Tube
 Selective Packing A=Box E=Cap+Tube F=Cap+Tape&Reel

格稜股份有限公司
Greenconn Corporation

GENERAL TOLERANCE	
X.*±5.0°	X.±0.30
.X*±3.0°	.X±0.25
.XX*±2.0°	.XX±0.15
.XXX*±1.0°	.XXX±0.10

DESIGN: 李芳忠
 CHECKED: 劉北平
 AUDITED:
 APPROVED:

DATE: 2013.10.31
 DATE: 2013.10.31
 DATE:
 DATE:

DWG. NO. △△△
 GPHC201-CA18CB
 PART NO. △△
 GPHC201-XXXX A018C1BX

TITLE.
 2.54 PIN HEADER
 DUAL ROWS SMT TYPE
 BASE 2.54H

REV.	UNIT.	SCALE.	PAGE.
05	mm	4:1	1/1