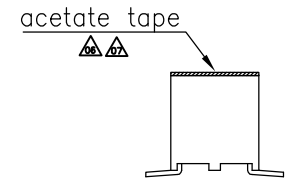
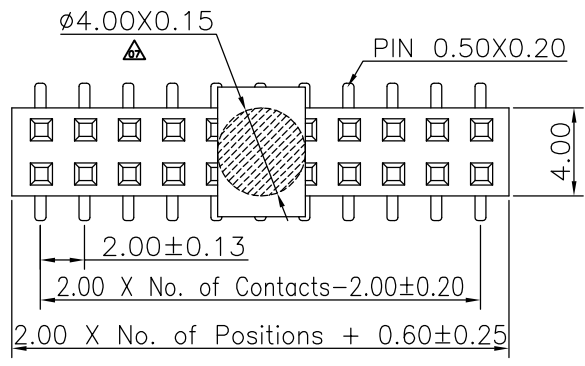
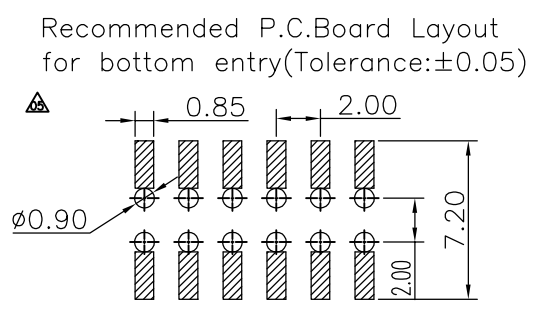
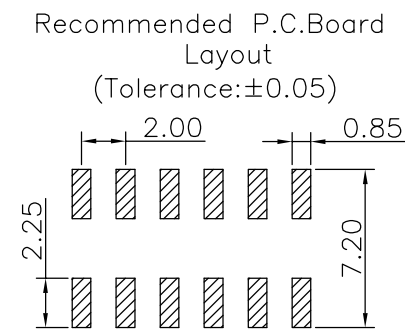
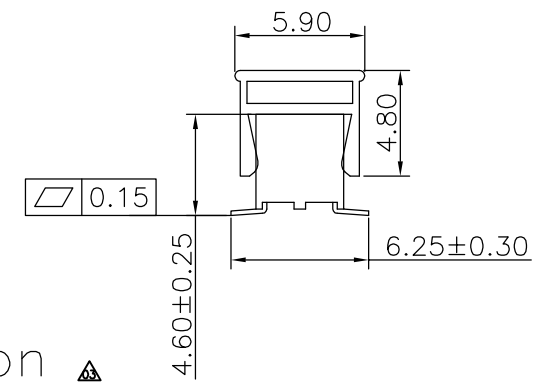
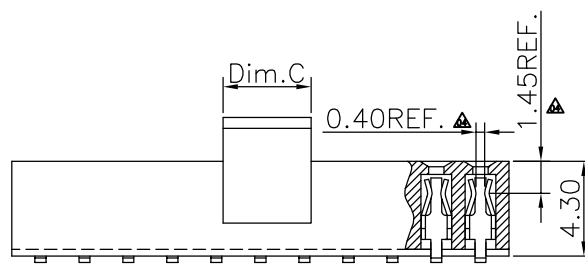


REV.	LOCAS.	DESCRIPTION	DATE	DRAWN
04	△△	依業務要求增加標端子接觸點尺寸, 并變更圖號	2011.01.20	蒙華明
05	△△	依業務要求增加PCB下插視圖	2011.09.20	黃小燕
06	△△	依業務要求增加醋酸膠布配方	2011.10.11	曹熙
07	△△	為改善貼膠紙效率, 變更膠紙配方	2013.02.06	邱明周
08	△△	02-20PIN產品CAP尺寸與BOM不符, 修改CAP尺寸 (H-N220437)	2022.04.20	黃鵬飛



Dim.C	NOTE
4.00mm	02~20pins △
8.05mm	21~40pins

Specifications  
 Current Rating:2.0Amp  
 Insulation Resistance:1000MΩMin.  
 Dielectric Withstanding Voltage:500VAC  
 Contact Resistance:20mΩMax.  
 Operating Temperature:-40°C to +105°C  
 Materials  
 Contact Material:Phosphor Bronze  
 High Temperture Thermoplastic:  
 Suitable for Reflow Soldering Process (LCP)  
 All materials must meet Greenconn hazardous substances control standards.



### Ordering Information

C SFC208 - XX XX A 001 C 1 A X

- No. of Pins per Row: 02~40
- Standard Plating: 02=Gold Flash
- Selective Plating: 01=Tin, 05=Gold Flash/Tin
- Color: 1=Black
- Standard Packing: C=Tube, Selective Packing: A=Box, E=CAP+Tube, F=CAP+Tape&Reel, G=Acetate Tape+Tube, H=Acetate Tape+Tape&Reel

<p>Website:www.greenconn.com E-mail:sales@greenconn.com</p>	3RD.ANG PROJ.	GENERAL TOLERANCE		DESIGNED: 黃鵬飛	DATE: 2022.04.20	DWG. NO. △△ CSFC208-CA1CA	TITLE. 2.0 FEMALE HEADER DUAL ROW SMT TYPE BASE 4.30 H	
		.X*±5.0'	X.±0.30	CHECKED: 張春進	DATE: 2022.04.20			
	REV. 08	UNIT. mm	SCALE. 4:1	PAGE. 1/1	APPROVED: 邱國延	DATE: 2022.04.20		PART NO. △ CSFC208-XXXX A001C1AX