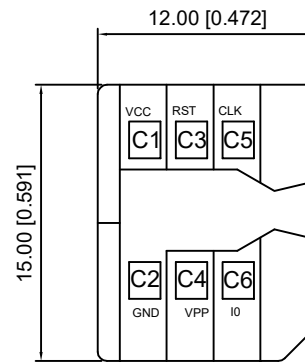
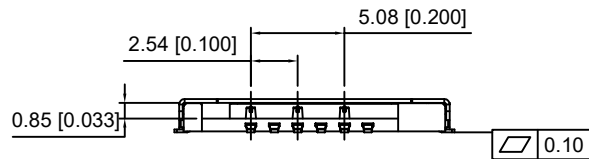


RECOMMENDED PCB LAYOUT(Top View)
GENERAL TOLERANCE ±0.05

PIN NO.	NAME	PIN NO.	NAME
C1	VCC	C4	VPP
C2	GND	C5	CLK
C3	RST	C6	I/O

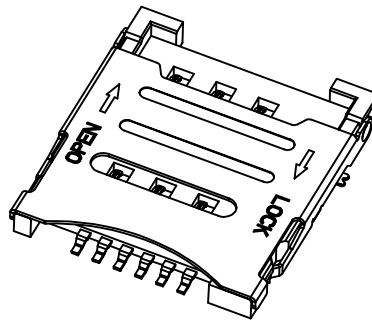


MICRO SIM



NOTES:

1. ELECTRICAL CHARACTERISTICS
 - 1-1. CONTACT RESISTANCE: 60 Milliohms Max
 - 1-2. INSULATION RESISTANCE: 1,000 Megohms Min.
 - 1-3. VOLTAGE RATING: 50V.
 - 1-4. CURRENT RATING: 1.0A.
2. MECHANICAL CHARACTERISTICS
 - 2-1. OPERATION TEMPERATURE RANGE: -20°C~+85°C
 - 2-2. DURABILITY: 5000 CYCLES
3. MATERIAL:
 - 3-1. HOUSING: THERMOPLASTIC,UL 94-V0
 - 3-2. TERMINAL: PHOSPHOR BRONZE,T=0.15
 - 3-3. SHELL: STAINLESS STEEL,T=0.20
4. FINISHED:
 - 4-1. TERMINAL: Ni PLATED UNDER, 3U" Au MIN PLATED ON CONTACT AREA,AU PLATED ON SOLDER TAIL
 - 4-2. SHELL: Ni PLATED UNDER,G/F PLATED ON SOLDER TAIL



—		new		2015/5/3	A	瀚源
ECN BO.		DESCRIPTION.		DATE.	REV.	
DESIGNED	CHECKED	APPROVAL	DRAWING NUMBER	SCALT: 1/2		SCALE: 3:1
Mikey	Tom	Jerry	PART NAME	NANO-1308	UNLESS OTHERWISE SPECIFIED,TOLERANCE:	X. ±0.25
			MODEL NAME	NANO-1308		X.x ±0.20
			3RD ANGLE PROJ	HanElectricity Co.,LTD		X.xx ±0.15
					ANGULAIR	±3
					FILE.NO.	