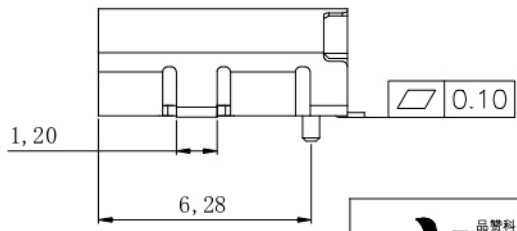
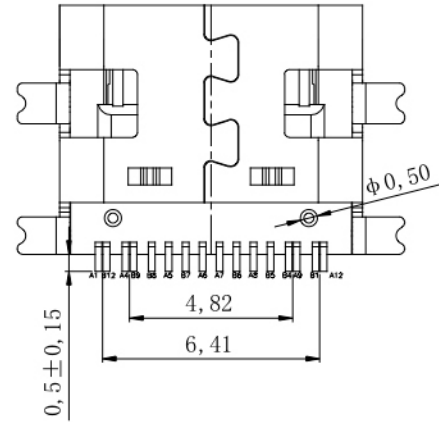


RECOMMENDED PCB LAYOUT
TOL: (± 0.05)

A1	GND	B12	GND
A4	VBUS	B9	VBUS
A5	CC1	B8	SBU2
A6	DP1	B7	DN2
A7	DN1	B6	DP2
A8	SBU1	B5	CC2
A9	VBUS	B4	VBUS
A12	GND	B1	GND
PIN	SIGNAL NAME	PIN	SIGNAL NAME

NOTES:
SPECIFICATION:

1. CURRENT RATING: 3A MAX
2. VOLTAGE: 100 VAC
3. TEMPERATURE RANGE: $-30^{\circ}\text{C} \sim 85^{\circ}\text{C}$
4. CONTACT RESISTANCE: 40 MILLIONHM MAX
5. INSULATION RESISTANCE: 100 MEGOHMS MIN.
6. INSERTION FORCE : 5N~20N
7. UNMATING FORCE: 8N~20N
8. DURABILITY: 5,000 CYCLES

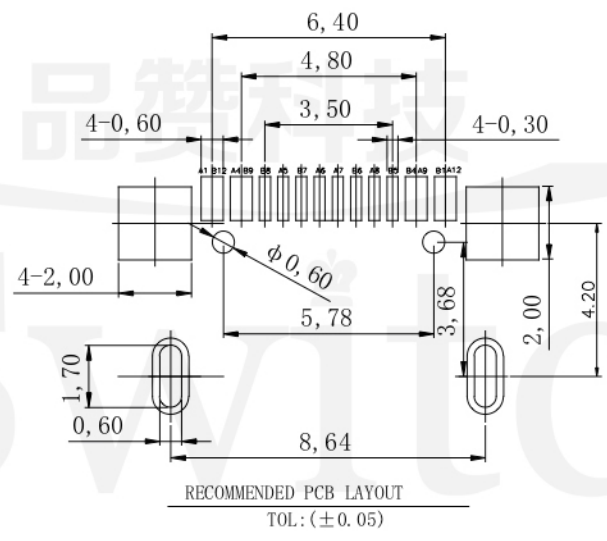
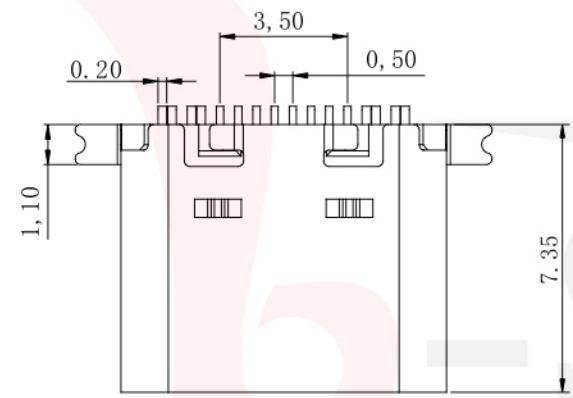
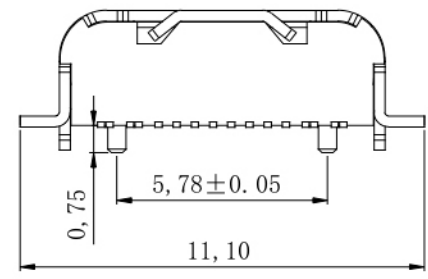
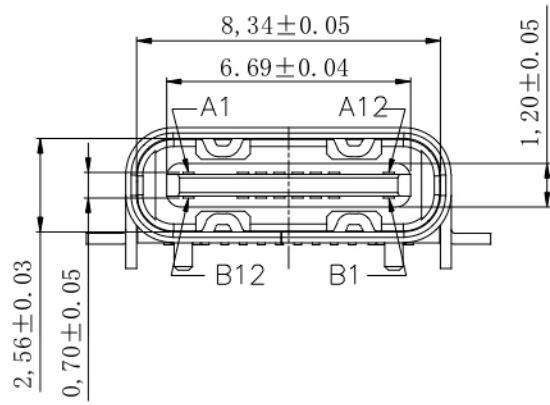


G-Switch Electronic Technology CO.,Ltd.

Unless otherwise specified, Tolerance:
 X. ± 0.30
 X.x ± 0.20
 X.xx ± 0.15
 X.xxx ± 0.10
 Angles $\pm 3^{\circ}$

DESIGN 陈锋枫 DATE 2019.11.27
 APPROVED DATE
<http://www.dg-switch.com>
 TEL:0769-82388879

TITLE:
 GT-USB-7047A
 REV.: X1 SCALE: 4:1 UNIT: mm
 SIZE: A4 SHEET: 1/1

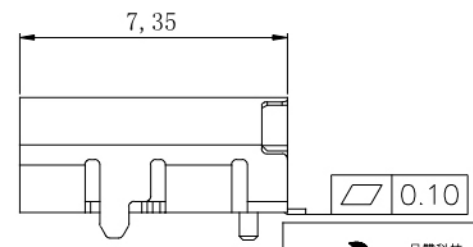
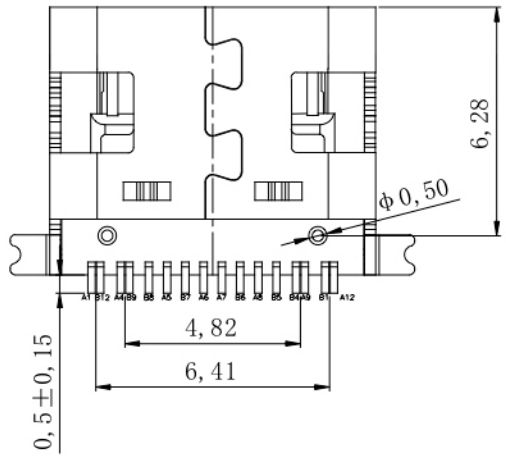


A1	GND	B12	GND
A4	VBUS	B9	VBUS
A5	CC1	B8	SBU2
A6	DP1	B7	DN2
A7	DN1	B6	DP2
A8	SBU1	B5	CC2
A9	VBUS	B4	VBUS
A12	GND	B1	GND
PIN	SIGNAL NAME	PIN	SIGNAL NAME

NOTES:

SPECIFICATION:

1. CURRENT RATING: 3A MAX
2. VOLTAGE: 100 VAC
3. TEMPERATURE RANGE: $-30^{\circ}\text{C} \sim 85^{\circ}\text{C}$
4. CONTACT RESISTANCE: 40 MILLIONHM MAX
5. INSULATION RESISTANCE: 100 MEGOHMS MIN.
6. INSERTION FORCE : 5N~20N
7. UNMATING FORCE: 8N~20N
8. DURABILITY: 5,000 CYCLES

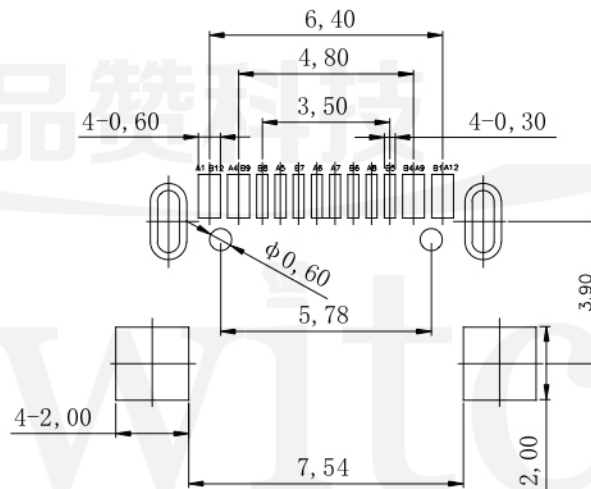
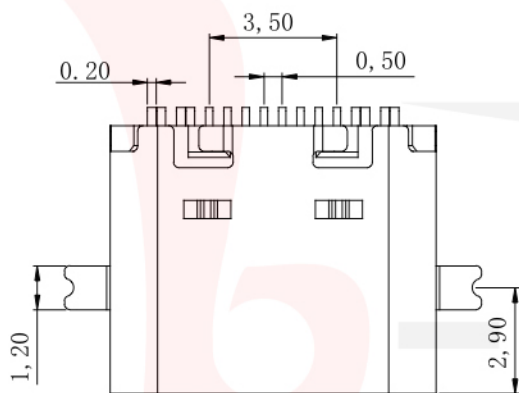
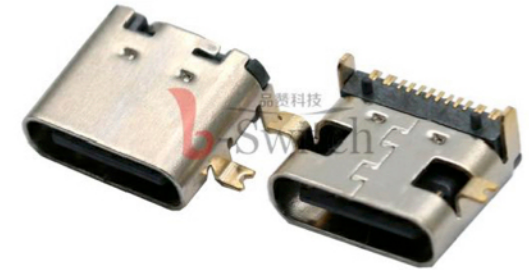
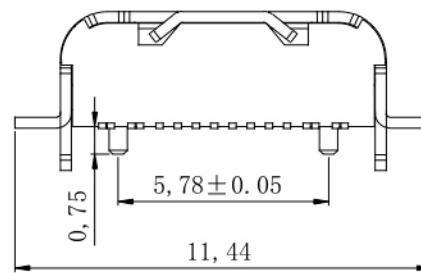
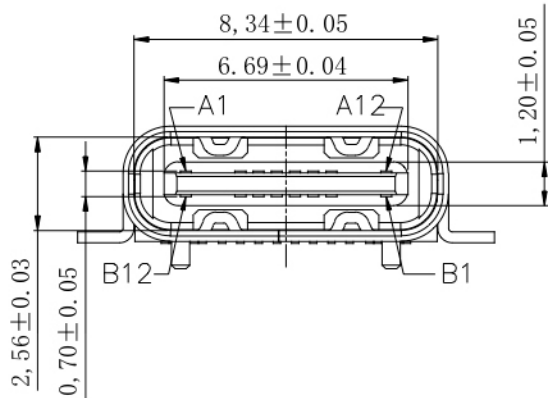


G-Switch Electronic Technology CO.,Ltd.

Unless otherwise specified, Tolerance:
 X. ± 0.30
 X.x ± 0.20
 X.xx ± 0.15
 X.xxx ± 0.10
 Angles $\pm 3^{\circ}$

DESIGN 陈锋枫 DATE 2019.11.27
 APPROVED DATE
<http://www.dg-switch.com>
 TEL:0769-82388879

TITLE:
 GT-USB-7047B
 REV.: X1 SCALE: 4:1 UNIT: mm
 SIZE: A4 SHEET: 1/1

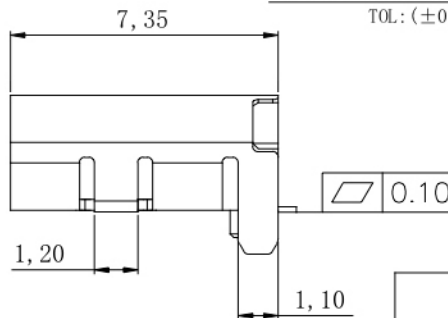
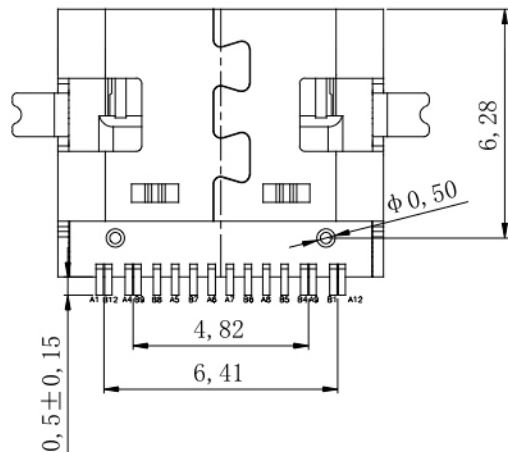


RECOMMENDED PCB LAYOUT
TOL: (±0.05)

PIN	SIGNAL NAME	PIN	SIGNAL NAME
A1	GND	B12	GND
A4	VBUS	B9	VBUS
A5	CC1	B8	SBU2
A6	DP1	B7	DN2
A7	DN1	B6	DP2
A8	SBU1	B5	CC2
A9	VBUS	B4	VBUS
A12	GND	B1	GND

NOTES:
SPECIFICATION:

1. CURRENT RATING: 3A MAX
2. VOLTAGE: 100 VAC
3. TEMPERATURE RANGE: -30 °C ~ 85 °C
4. CONTACT RESISTANCE: 40 MILLIONHM MAX
5. INSULATION RESISTANCE: 100 MEGOHMS MIN.
6. INSERTION FORCE : 5N~20N
7. UNMATING FORCE: 8N~20N
8. DURABILITY: 5,000 CYCLES



	G-Switch Electronic Technology CO.,Ltd.		
	DESIGN 陈锋枫	DATE 2019.11.27	TITLE: GT-USB-7047C
Unless otherwise specified, Tolerance:			
X. ±0.30			
X.x ±0.20			
X.xx ±0.15			
X.xxx ±0.10			
Angles ±3°			
APPROVED	DATE	REV.: X1 SCALE: 4:1 UNIT: mm	
http://www.dg-switch.com		SIZE: A4 SHEET: 1/1	
TEL:0769-82388879			