



# 16-BIT 250-KSPS SERIAL CMOS SAMPLING ANALOG-TO-DIGITAL CONVERTER

 Check for Samples: [ADS8509](#)

## FEATURES

- 250-kHz Sampling Rate
- 4-V, 5-V, 10-V,  $\pm 3.33$ -V,  $\pm 5$ -V, and  $\pm 10$ -V Input Ranges
- $\pm 2$  LSB Max INL
- $\pm 1$  LSB Max DNL, 16-Bit No Missing Codes
- SPI Compatible Serial Output with Daisy-Chain (TAG) Feature
- Single 5-V Supply
- Pin-Compatible with ADS7809 (Low Speed) and 12-Bit ADS8508/7808
- Uses Internal or External Reference
- 70-mW Typ Power Dissipation at 250 KSPS
- 20-Pin SO and 28-Pin SSOP Packages
- Simple DSP Interface

## APPLICATIONS

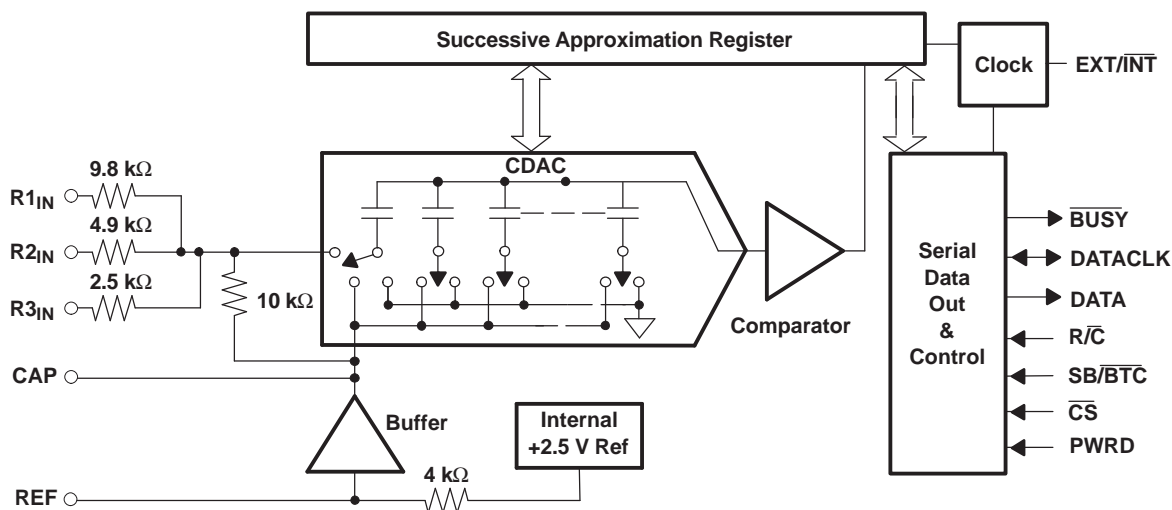
- Industrial Process Control
- Data Acquisition Systems
- Digital Signal Processing
- Medical Equipment
- Instrumentation

## DESCRIPTION

The ADS8509 is a complete 16-bit sampling analog-to-digital (A/D) converter using state-of-the-art CMOS structures. It contains a complete 16-bit, capacitor-based, successive approximation register (SAR) A/D converter with sample-and-hold, reference, clock, and a serial data interface. Data can be output using the internal clock or can be synchronized to an external data clock. The ADS8509 also provides an output synchronization pulse for ease of use with standard DSP processors.

The ADS8509 is specified at a 250-kHz sampling rate over the full temperature range. Precision resistors provide various input ranges including  $\pm 10$  V and 0 V to 5 V, while the innovative design allows operation from a single +5-V supply with power dissipation under 100 mW.

The ADS8509 is available in 20-pin SO and 28-pin SSOP packages, both fully specified for operation over the industrial  $-40^{\circ}\text{C}$  to  $85^{\circ}\text{C}$  temperature range.



Please be aware that an important notice concerning availability, standard warranty, and use in critical applications of Texas Instruments semiconductor products and disclaimers thereto appears at the end of this data sheet.

All trademarks are the property of their respective owners.



This integrated circuit can be damaged by ESD. Texas Instruments recommends that all integrated circuits be handled with appropriate precautions. Failure to observe proper handling and installation procedures can cause damage.

ESD damage can range from subtle performance degradation to complete device failure. Precision integrated circuits may be more susceptible to damage because very small parametric changes could cause the device not to meet its published specifications.

**PACKAGE/ORDERING INFORMATION<sup>(1)</sup>**

| PRODUCT   | MINIMUM RELATIVE ACCURACY (LSB) | NO MISSING CODE | MINIMUM SINAD (dB) | SPECIFICATION TEMPERATURE RANGE | PACKAGE LEAD | PACKAGE DESIGNATOR | ORDERING NUMBER | TRANSPORT MEDIA, QTY |
|-----------|---------------------------------|-----------------|--------------------|---------------------------------|--------------|--------------------|-----------------|----------------------|
| ADS8509IB | ±2                              | 16              | 85                 | -40°C to 85°C                   | SO-20        | DW                 | ADS8509IBDW     | Tube, 25             |
|           |                                 |                 |                    |                                 |              |                    | ADS8509IBDWR    | Tape and Reel, 2000  |
|           |                                 |                 |                    |                                 | SSOP-28      | DB                 | ADS8509IBDB     | Tube, 50             |
|           |                                 |                 |                    |                                 |              |                    | ADS8509IBDBR    | Tape and Reel, 2000  |
| ADS8509I  | ±3                              | 15              | 83                 | -40°C to 85°C                   | SO-20        | DW                 | ADS8509IDW      | Tube, 25             |
|           |                                 |                 |                    |                                 |              |                    | ADS8509IDWR     | Tape and Reel, 2000  |
|           |                                 |                 |                    |                                 | SSOP-28      | DB                 | ADS8509IDB      | Tube, 50             |
|           |                                 |                 |                    |                                 |              |                    | ADS8509IDBR     | Tape and Reel, 2000  |

(1) For the most current package and ordering information, see the Package Option Addendum at the end of this document, or visit the device product folder on [www.ti.com](http://www.ti.com).

**ABSOLUTE MAXIMUM RATINGS**

over operating free-air temperature range (unless otherwise noted)<sup>(1)</sup>

|   |                                      | UNIT   |
|---|--------------------------------------|--|
| Analog inputs   | R1 <sub>IN</sub>                     | ±25 V  |
|   | R2 <sub>IN</sub>                     | ±25 V  |
|   | R3 <sub>IN</sub>                     | ±25 V  |
|   | REF                                  | +V <sub>ANA</sub> + 0.3 V to AGND2 – 0.3 V                     |
|   | CAP                                  | Indefinite short to AGND2, momentary short to V <sub>ANA</sub> |
| Ground voltage differences                                | DGND, AGND2                          | ±0.3 V   |
|   | V <sub>ANA</sub>                     | 6 V  |
|   | V <sub>DIG</sub> to V <sub>ANA</sub> | 0.3 V  |
|   | V <sub>DIG</sub>                     | 6 V  |
| Digital inputs  |                                      | -0.3 V to +V <sub>DIG</sub> + 0.3 V                            |
| Maximum junction temperature                              |                                      | 165°C  |
| Storage temperature range                                 |                                      | -65°C to 150°C   |
| Internal power dissipation                                |                                      | 700 mW   |
| Lead temperature (soldering, 1.6 mm from case 10 seconds) |                                      | 260°C  |

(1) All voltage values are with respect to network ground terminal.

## ELECTRICAL CHARACTERISTICS

At  $T_A = -40^\circ\text{C}$  to  $85^\circ\text{C}$ ,  $f_s = 250\text{ kHz}$ ,  $V_{\text{DIG}} = V_{\text{ANA}} = 5\text{ V}$ , using internal reference and 0.1%, 0.25-W fixed resistors (see [Figure 29](#) and [Figure 30](#)) (unless otherwise specified)

| PARAMETER                           | TEST CONDITIONS   | ADS8509I                                     |      |           | ADS8509IB |     |           | UNIT                  |
|-------------------------------------|---|--|------|-----------|-----------|-----|-----------|-----------------------|
|                                     |   | MIN  | TYP  | MAX       | MIN       | TYP | MAX       |                       |
| Resolution                          |   |  |      | 16        |           |     | 16        | Bits                  |
| <b>ANALOG INPUT</b>                 |   |  |      |           |           |     |           |                       |
| Voltage range <sup>(1)</sup>        |   |  |      |           |           |     |           |                       |
| Impedance <sup>(1)</sup>            |   |  |      |           |           |     |           |                       |
| Capacitance                         |   |  | 50   |           |           | 50  |           | pF                    |
| <b>THROUGHPUT SPEED</b>             |   |  |      |           |           |     |           |                       |
| Conversion cycle                    | Acquire and convert   |  |      | 4         |           |     | 4         | $\mu\text{s}$         |
| Throughput rate                     |   | 250  |      |           | 250       |     |           | kHz                   |
| <b>DC ACCURACY</b>                  |   |  |      |           |           |     |           |                       |
| INL                                 | Integral linearity error  |  | -3   | 3         |           | -2  | 2         | LSB <sup>(2)</sup>    |
| DNL                                 | Differential linearity error  |  | -2   | 2         |           | -1  | 1         | LSB                   |
|                                     | No missing codes  |  | 15   |           |           | 16  |           | Bits                  |
|                                     | Transition noise <sup>(3)</sup>   |  |      | 1         |           |     | 1         | LSB                   |
| Full-scale error <sup>(4) (5)</sup> | $\pm 10\text{-V}$ Range   | Int. ref. with 0.1% external fixed resistors | -0.5 | 0.5       | -0.5      | 0.5 | 0.5       | %FSR                  |
|                                     | All other ranges  |  | -0.5 | 0.5       | -0.5      | 0.5 | 0.5       | %FSR                  |
|                                     | Full-scale error drift  | Int. ref.                                    |      | $\pm 7$   |           |     | $\pm 7$   | ppm/ $^\circ\text{C}$ |
| Full-scale error <sup>(4) (5)</sup> | $\pm 10\text{-V}$ Range   | Ext. ref. with 0.1% external fixed resistors | -0.5 | 0.5       | -0.5      | 0.5 | 0.5       | %FSR                  |
|                                     | All other ranges  |  | -0.5 | 0.5       | -0.5      | 0.5 | 0.5       | %FSR                  |
|                                     | Full-scale error drift  | Ext. ref.                                    |      | $\pm 2$   |           |     | $\pm 2$   | ppm/ $^\circ\text{C}$ |
|                                     | Bipolar zero error <sup>(4)</sup>   |  | -10  | 10        | -5        | 5   | 5         | mV                    |
|                                     | Bipolar zero error drift  |  |      | $\pm 0.4$ |           |     | $\pm 0.4$ | ppm/ $^\circ\text{C}$ |
| Unipolar zero error <sup>(4)</sup>  | 10-V Range  |  | -5   | 5         | -5        | 5   | 5         | mV                    |
|                                     | 4-V and 5-V Range   |  | -3   | 3         | -3        | 3   | 3         | mV                    |
|                                     | Unipolar zero error drift   |  |      | $\pm 2$   |           |     | $\pm 2$   | ppm/ $^\circ\text{C}$ |
|                                     | Recovery to rated accuracy after power down                                   | 1- $\mu\text{F}$ Capacitor to CAP            |      | 1         |           |     | 1         | ms                    |
|                                     | Power supply sensitivity ( $V_{\text{DIG}} = V_{\text{ANA}} = V_{\text{D}}$ ) | +4.75 V < $V_{\text{D}}$ < +5.25 V           | -8   | 8         | -8        | 8   | 8         | LSB                   |
| <b>AC ACCURACY</b>                  |   |  |      |           |           |     |           |                       |
| SFDR                                | Spurious-free dynamic range   | $f_i = 20\text{ kHz}$                        | 90   | 99        | 95        | 99  |           | dB <sup>(6)</sup>     |
| THD                                 | Total harmonic distortion   | $f_i = 20\text{ kHz}$                        |      | -98       | -90       | -98 | -93       | dB                    |
| SINAD                               | Signal-to-(noise+distortion)  | $f_i = 20\text{ kHz}$                        | 83   | 88        | 85        | 88  |           | dB                    |
|                                     |   | -60-dB Input                                 |      | 30        |           | 32  |           | dB                    |
| SNR                                 | Signal-to-noise ratio   | $f_i = 20\text{ kHz}$                        | 83   | 88        | 86        | 88  |           | dB                    |
|                                     | Full-power bandwidth <sup>(7)</sup>   |  |      | 500       |           | 500 |           | kHz                   |
| <b>SAMPLING DYNAMICS</b>            |   |  |      |           |           |     |           |                       |
|                                     | Aperture delay  |  |      | 5         |           | 5   |           | ns                    |
|                                     | Transient response  | FS Step                                      |      |           | 2         |     | 2         | $\mu\text{s}$         |
|                                     | Overvoltage recovery <sup>(8)</sup>   |  |      | 150       |           | 150 |           | ns                    |

(1)  $\pm 10\text{ V}$ ,  $0\text{ V}$  to  $5\text{ V}$ , etc. (see [Table 2](#)). For normal operation, the analog input should not exceed configured range  $\pm 20\%$ .

(2) LSB means least significant bit. For the  $\pm 10\text{-V}$  input range, one LSB is  $305\ \mu\text{V}$ .

(3) Typical rms noise at worst case transitions and temperatures.

(4) As measured with fixed resistors shown in [Figure 29](#) and [Figure 30](#). Adjustable to zero with external potentiometer. Factory calibrated with 0.1%, 0.25-W resistors.

(5) For bipolar input ranges, full-scale error is the worst case of -full-scale or +full-scale uncalibrated deviation from ideal first and last code transitions, divided by the transition voltage (not divided by the full-scale range) and includes the effect of offset error. For unipolar input ranges, full-scale error is the deviation of the last code transition divided by the transition voltage. It also includes the effect of offset error.

(6) All specifications in dB are referred to a full-scale  $\pm 10\text{-V}$  input.

(7) Full-power bandwidth is defined as the full-scale input frequency at which signal-to-(noise + distortion) degrades to 60 dB.

(8) Recovers to specified performance after  $2 \times$  FS input overvoltage.

**ELECTRICAL CHARACTERISTICS (continued)**

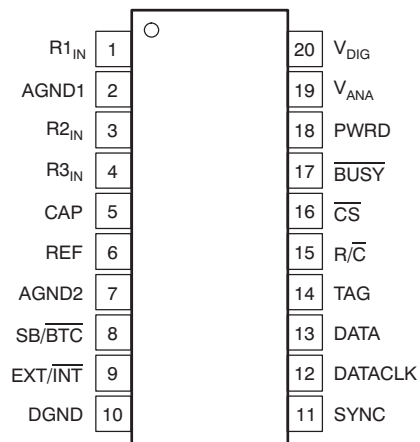
At  $T_A = -40^\circ\text{C}$  to  $85^\circ\text{C}$ ,  $f_s = 250\text{ kHz}$ ,  $V_{\text{DIG}} = V_{\text{ANA}} = 5\text{ V}$ , using internal reference and 0.1%, 0.25-W fixed resistors (see [Figure 29](#) and [Figure 30](#)) (unless otherwise specified)

| PARAMETER  | TEST CONDITIONS   | ADS8509I                                     |     |                                 | ADS8509IB |     |                                 | UNIT                      |
|--|---|--|-----|---------------------------------|-----------|-----|---------------------------------|---------------------------|
|  |   | MIN  | TYP | MAX                             | MIN       | TYP | MAX                             |                           |
| <b>REFERENCE</b>   |   |  |     |                                 |           |     |                                 |                           |
| Internal reference voltage   | No load   | 2.48   | 2.5 | 2.52                            | 2.48      | 2.5 | 2.52                            | V                         |
| Internal reference source current (must use external buffer)                     |   | 1  |     |                                 | 1         |     |                                 | $\mu\text{A}$             |
| Internal reference drift   |   | 8  |     |                                 | 8         |     |                                 | ppm/ $^\circ\text{C}$     |
| External reference voltage range for specified linearity                         |   | 2.3  | 2.5 | 2.7                             | 2.3       | 2.5 | 2.7                             | V                         |
| External reference current drain   | Ext. 2.5-V ref.   |  |     |                                 | 100       |     |                                 | $\mu\text{A}$             |
| <b>DIGITAL INPUTS</b>  |   |  |     |                                 |           |     |                                 |                           |
| Logic levels   |   |  |     |                                 |           |     |                                 |                           |
| $V_{\text{IL}}$  | Low-level input voltage                                       | -0.3   |     | 0.8                             | -0.3      |     | 0.8                             | V                         |
| $V_{\text{IH}}$  | High-level input voltage                                      | 2.0  |     | $V_{\text{DIG}} + 0.3\text{ V}$ | 2.0       |     | $V_{\text{DIG}} + 0.3\text{ V}$ | V                         |
| $I_{\text{IL}}$  | Low-level input current                                       | $V_{\text{IL}} = 0\text{ V}$                 |     | $\pm 10$                        |           |     | $\pm 10$                        | $\mu\text{A}$             |
| $I_{\text{IH}}$  | High-level input current                                      | $V_{\text{IH}} = 5\text{ V}$                 |     | $\pm 10$                        |           |     | $\pm 10$                        | $\mu\text{A}$             |
| <b>DIGITAL OUTPUTS</b>   |   |  |     |                                 |           |     |                                 |                           |
| Data format (serial 16-bits)   |   |  |     |                                 |           |     |                                 |                           |
| Data coding (binary 2's complement or straight binary)                           |   |  |     |                                 |           |     |                                 |                           |
| Pipeline delay (conversion results only available after completed conversion)    |   |  |     |                                 |           |     |                                 |                           |
| Data clock (selectable for internal or external data clock)                      |   |  |     |                                 |           |     |                                 |                           |
| Internal clock (output only when transmitting data)                              | $\text{EXT}/\overline{\text{INT}}$ Low                        | 9  |     |                                 | 9         |     |                                 | MHz                       |
| External clock (can run continually but not recommended for optimum performance) | $\text{EXT}/\overline{\text{INT}}$ High                       | 0.1  |     | 26                              | 0.1       |     | 26                              | MHz                       |
| $V_{\text{OL}}$  | Low-level output voltage                                      | $I_{\text{SINK}} = 1.6\text{ mA}$            |     | 0.4                             |           |     | 0.4                             | V                         |
| $V_{\text{OH}}$  | High-level output voltage                                     | $I_{\text{SOURCE}} = 500\text{ }\mu\text{A}$ |     | 4                               | 4         |     |                                 | V                         |
| Leakage current  | Hi-Z State, $V_{\text{OUT}} = 0\text{ V}$ to $V_{\text{DIG}}$ | $\pm 5$                                      |     |                                 | $\pm 5$   |     |                                 | $\mu\text{A}$             |
| Output capacitance   | Hi-Z State  | 15   |     |                                 | 15        |     |                                 | pF                        |
| <b>POWER SUPPLIES</b>  |   |  |     |                                 |           |     |                                 |                           |
| $V_{\text{DIG}}$   | Digital input voltage   | 4.75   | 5   | 5.25                            | 4.75      | 5   | 5.25                            | V                         |
| $V_{\text{ANA}}$   | Analog input voltage  | 4.75   | 5   | 5.25                            | 4.75      | 5   | 5.25                            | V                         |
| $I_{\text{DIG}}$   | Digital input current   | 4  |     |                                 | 4         |     |                                 | mA                        |
| $I_{\text{ANA}}$   | Analog input current  | 10   |     |                                 | 10        |     |                                 | mA                        |
| <b>POWER DISSIPATION</b>   |   |  |     |                                 |           |     |                                 |                           |
| PWRD Low   | $f_s = 250\text{ kHz}$  | 70   |     |                                 | 70        |     |                                 | mW                        |
| PWRD High  |   | 50   |     |                                 | 50        |     |                                 | $\mu\text{W}$             |
| <b>TEMPERATURE RANGE</b>   |   |  |     |                                 |           |     |                                 |                           |
| Specified performance  |   | -40  |     | 85                              | -40       |     | 85                              | $^\circ\text{C}$          |
| Derated performance <sup>(9)</sup>   |   | -55  |     | 125                             | -55       |     | 125                             | $^\circ\text{C}$          |
| Storage  |   | -65  |     | 150                             | -65       |     | 150                             | $^\circ\text{C}$          |
| <b>THERMAL RESISTANCE (<math>\theta_{\text{JA}}</math>)</b>                      |   |  |     |                                 |           |     |                                 |                           |
| SSOP   |   | 62   |     |                                 | 62        |     |                                 | $^\circ\text{C}/\text{W}$ |
| SO   |   | 46   |     |                                 | 46        |     |                                 | $^\circ\text{C}/\text{W}$ |

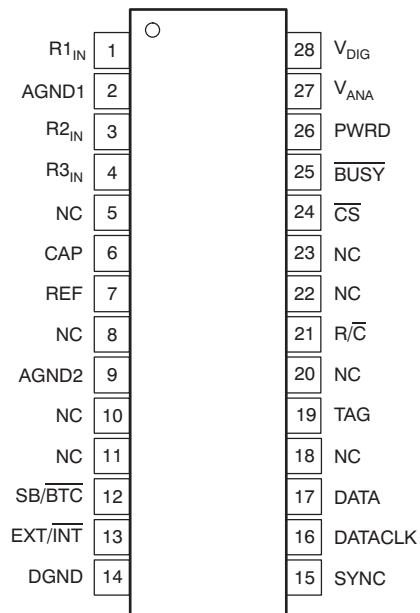
(9) The internal reference may not be started correctly beyond the industrial temperature range ( $-40^\circ\text{C}$  to  $85^\circ\text{C}$ ), therefore use of an external reference is recommended.

## PIN CONFIGURATIONS

### DW PACKAGE SO-20 (TOP VIEW)



### DB PACKAGE SSOP-28 (TOP VIEW)

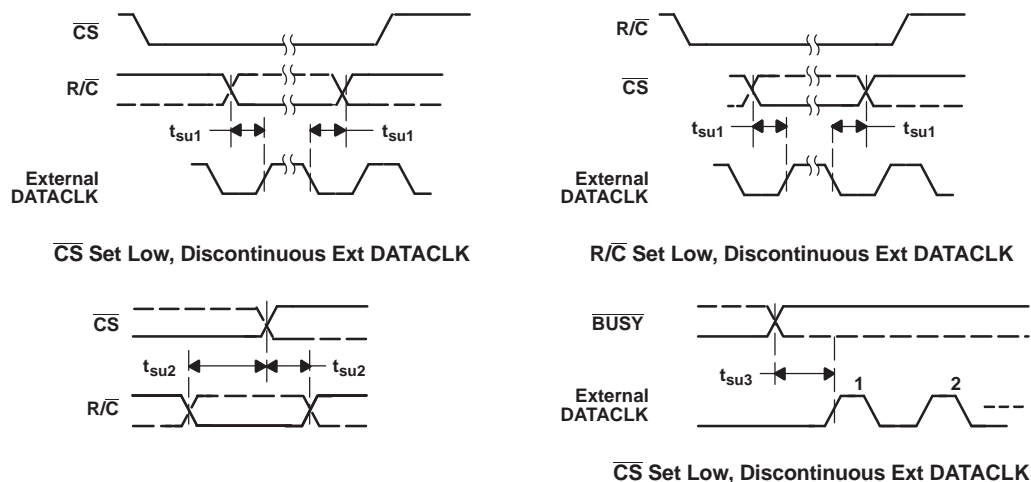


### Terminal Functions

| TERMINAL                    |                                       |        |     | DESCRIPTION   |
|-----------------------------|---------------------------------------|--------|-----|---|
| NAME                        | DB NO.                                | DW NO. | I/O |   |
| AGND1                       | 2                                     | 2      | –   | Analog ground. Used internally as ground reference point. Minimal current flow.   |
| AGND2                       | 9                                     | 7      | –   | Analog ground   |
| BUSY                        | 25                                    | 17     | O   | Busy output. Falls when a conversion is started and remains low until the conversion is completed and the data is latched into the output shift register.   |
| CAP                         | 6                                     | 5      | –   | Reference buffer capacitor. 2.2- $\mu$ F Tantalum to ground.  |
| $\overline{\text{CS}}$      | 24                                    | 16     | –   | Chip select. Internally ORed with $\overline{\text{R/C}}$ .   |
| DATA                        | 17                                    | 13     | O   | Serial data output. Data is synchronized to DATACLK with the format determined by the level of $\overline{\text{SB/BTC}}$ . In the external clock mode, after 16 bits of data, the ADS8509 outputs the level input on TAG as long as $\overline{\text{CS}}$ is low and $\overline{\text{R/C}}$ is high (see <a href="#">Figure 8</a> and <a href="#">Figure 9</a> ). If $\overline{\text{EXT/INT}}$ is low, data is valid on both the rising and falling edges of DATACLK, and between conversions DATA stays at the level of the TAG input when the conversion was started.                                |
| DATACLK                     | 16                                    | 12     | I/O | Either an input or an output depending on the $\overline{\text{EXT/INT}}$ level. Output data is synchronized to this clock. If $\overline{\text{EXT/INT}}$ is low, DATACLK transmits 16 pulses after each conversion and then remains low between conversions.  |
| DGND                        | 14                                    | 10     | –   | Digital ground  |
| $\overline{\text{EXT/INT}}$ | 13                                    | 9      | –   | Selects external or internal clock for transmitting data. If high, data is output synchronized to the clock input on DATACLK. If low, a convert command initiates the transmission of the data from the previous conversion, along with 16-clock pulses output on DATACLK.  |
| NC                          | 5, 8, 10,<br>11, 18,<br>20, 22,<br>23 | –      | –   | No connect  |
| PWRD                        | 26                                    | 18     | I   | Power down input. If high, conversions are inhibited and power consumption is significantly reduced. Results from the previous conversion are maintained in the output shift register.  |
| $\overline{\text{R/C}}$     | 21                                    | 15     | I   | Read/convert input. With $\overline{\text{CS}}$ low, a falling edge on $\overline{\text{R/C}}$ puts the internal sample-and-hold into the hold state and starts a conversion. When $\overline{\text{EXT/INT}}$ is low, this also initiates the transmission of the data results from the previous conversion. If $\overline{\text{EXT/INT}}$ is high, a rising edge on $\overline{\text{R/C}}$ with $\overline{\text{CS}}$ low or a falling edge on $\overline{\text{CS}}$ with $\overline{\text{R/C}}$ high transmits a pulse on SYNC and initiates the transmission of data from the previous conversion. |
| REF                         | 7                                     | 6      | I/O | Reference input/output. Outputs internal 2.5-V reference. Can also be driven by external system reference. In both cases, bypass to ground with a 2.2- $\mu$ F tantalum capacitor.  |
| R1 <sub>IN</sub>            | 1                                     | 1      | I   | Analog input. See <a href="#">Table 2</a> for input range connections.  |
| R2 <sub>IN</sub>            | 3                                     | 3      | I   | Analog input. See <a href="#">Table 2</a> for input range connections.  |
| R3 <sub>IN</sub>            | 4                                     | 4      | I   | Analog input. See <a href="#">Table 2</a> for input range connections.  |
| $\overline{\text{SB/BTC}}$  | 12                                    | 8      | I   | Select straight binary or binary 2's complement data output format. If high, data is output in a straight binary format. If low, data is output in a binary 2's complement format.  |
| SYNC                        | 15                                    | 11     | O   | Sync output. This pin is used to supply a data synchronization pulse when the EXT level is high and at least one external clock pulse has occurred when not in the read mode. See the external clock modes descriptions.  |
| TAG                         | 19                                    | 14     | I   | Tag input for use in the external clock mode. If EXT is high, digital data input from TAG is output on DATA with a delay that is dependent on the external clock mode. See <a href="#">Figure 8</a> and <a href="#">Figure 9</a> .  |
| V <sub>ANA</sub>            | 27                                    | 19     | I   | Analog supply input. Nominally +5 V. Connect directly to pin 20 and decouple to ground with 0.1- $\mu$ F ceramic and 10- $\mu$ F tantalum capacitors.   |
| V <sub>DIG</sub>            | 28                                    | 20     | I   | Digital supply input. Nominally +5 V. Connect directly to pin 19. Must be $\leq V_{\text{ANA}}$ .   |

**TIMING REQUIREMENTS,  $T_A = -40^{\circ}\text{C}$  to  $85^{\circ}\text{C}$** 

| PARAMETER                          |   | MIN | TYP | MAX | UNIT          |
|------------------------------------|---|-----|-----|-----|---------------|
| $t_{w1}$                           | Pulse duration, convert   | 40  |     |     | ns            |
| $t_{d1}$                           | Delay time, $\overline{\text{BUSY}}$ from $\text{R}/\overline{\text{C}}$ low                          |     | 6   | 20  | ns            |
| $t_{w2}$                           | Pulse duration, $\overline{\text{BUSY}}$ low  |     |     | 2.2 | $\mu\text{s}$ |
| $t_{d2}$                           | Delay time, $\overline{\text{BUSY}}$ , after end of conversion  |     | 5   |     | ns            |
| $t_{d3}$                           | Delay time, aperture  |     | 5   |     | ns            |
| $t_{\text{conv}}$                  | Conversion time   |     |     | 2.2 | $\mu\text{s}$ |
| $t_{\text{acq}}$                   | Acquisition time  | 1.8 |     |     | $\mu\text{s}$ |
| $t_{\text{conv}} + t_{\text{acq}}$ | Cycle time  |     |     | 4   | $\mu\text{s}$ |
| $t_{d4}$                           | Delay time, $\text{R}/\overline{\text{C}}$ low to internal DATACLK output                             |     | 270 |     | ns            |
| $t_{c1}$                           | Cycle time, internal DATACLK  |     | 110 |     | ns            |
| $t_{d5}$                           | Delay time, data valid to internal DATACLK high   | 15  | 35  |     | ns            |
| $t_{d6}$                           | Delay time, data valid after internal DATACLK low   | 20  | 35  |     | ns            |
| $t_{c2}$                           | Cycle time, external DATACLK  | 35  |     |     | ns            |
| $t_{w3}$                           | Pulse duration, external DATACLK high   | 15  |     |     | ns            |
| $t_{w4}$                           | Pulse duration, external DATACLK low  | 15  |     |     | ns            |
| $t_{\text{su}1}$                   | Setup time, $\text{R}/\overline{\text{C}}$ rise/fall to external DATACLK high                         | 15  |     |     | ns            |
| $t_{\text{su}2}$                   | Setup time, $\text{R}/\overline{\text{C}}$ transition to $\overline{\text{CS}}$ transition            | 10  |     |     | ns            |
| $t_{d7}$                           | Delay time, SYNC, after external DATACLK high   | 3   |     | 35  | ns            |
| $t_{d8}$                           | Delay time, data valid  | 2   |     | 20  | ns            |
| $t_{d9}$                           | Delay time, $\overline{\text{CS}}$ to rising edge   | 10  |     |     | ns            |
| $t_{d10}$                          | Delay time, previous data available after $\overline{\text{CS}}$ , $\text{R}/\overline{\text{C}}$ low | 2   |     |     | $\mu\text{s}$ |
| $t_{\text{su}3}$                   | Setup time, $\overline{\text{BUSY}}$ transition to first external DATACLK                             | 5   |     |     | ns            |
| $t_{d11}$                          | Delay time, final external DATACLK to $\overline{\text{BUSY}}$ falling edge                           |     |     | 1   | $\mu\text{s}$ |
| $t_{\text{su}3}$                   | Setup time, TAG valid   | 0   |     |     | ns            |
| $t_{h1}$                           | Hold time, TAG valid  | 2   |     |     | ns            |

**PARAMETER MEASUREMENT INFORMATION**

**Figure 1. Critical Timing**

PARAMETER MEASUREMENT INFORMATION (continued)

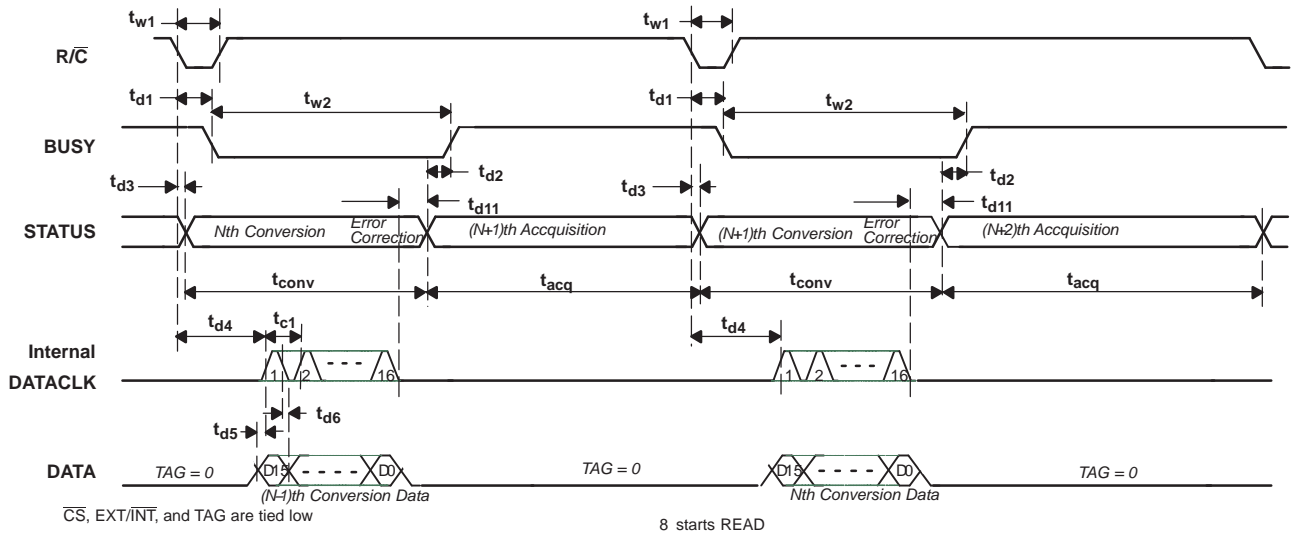


Figure 2. Basic Conversion Timing (Internal DATACLK - Read Previous Data During Conversion)

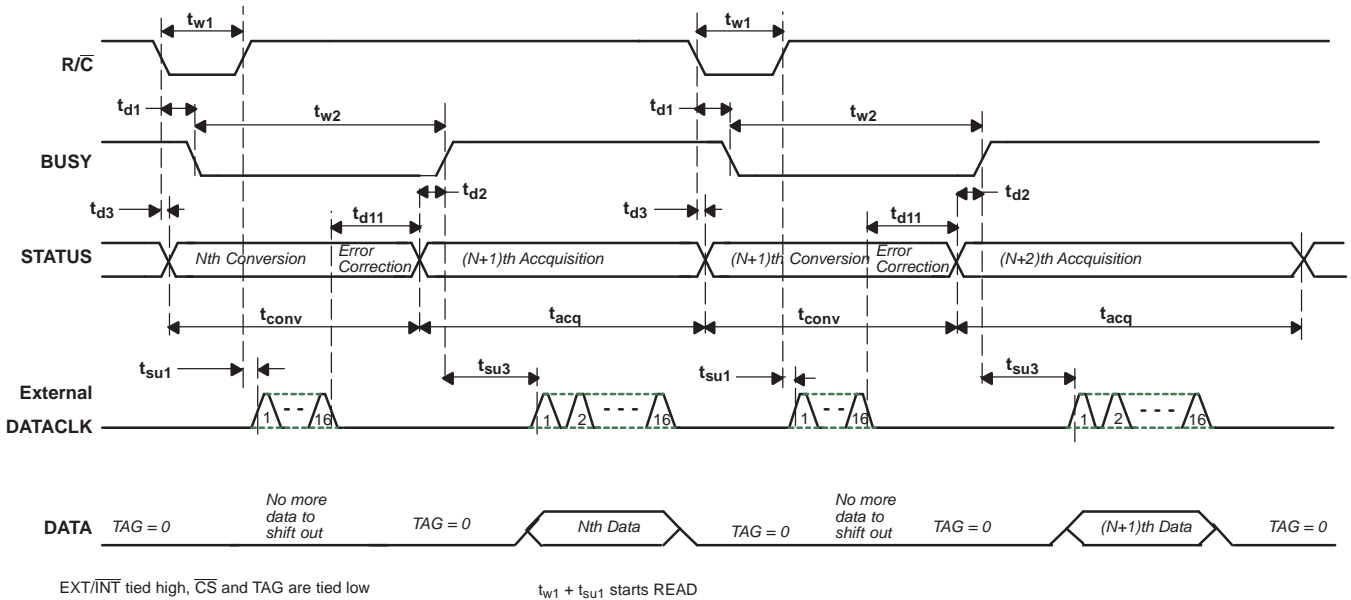


Figure 3. Basic Conversion Timing (External DATACLK)



PARAMETER MEASUREMENT INFORMATION (continued)

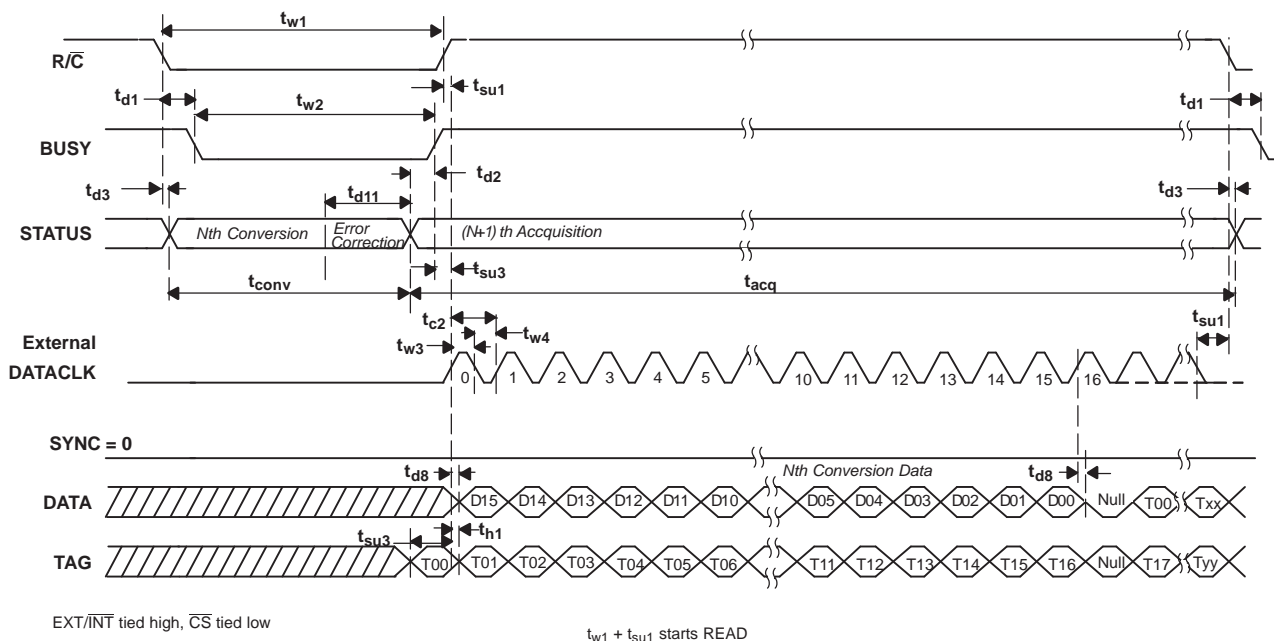


Figure 4. Read After Conversion (Discontinuous External DATACLK)

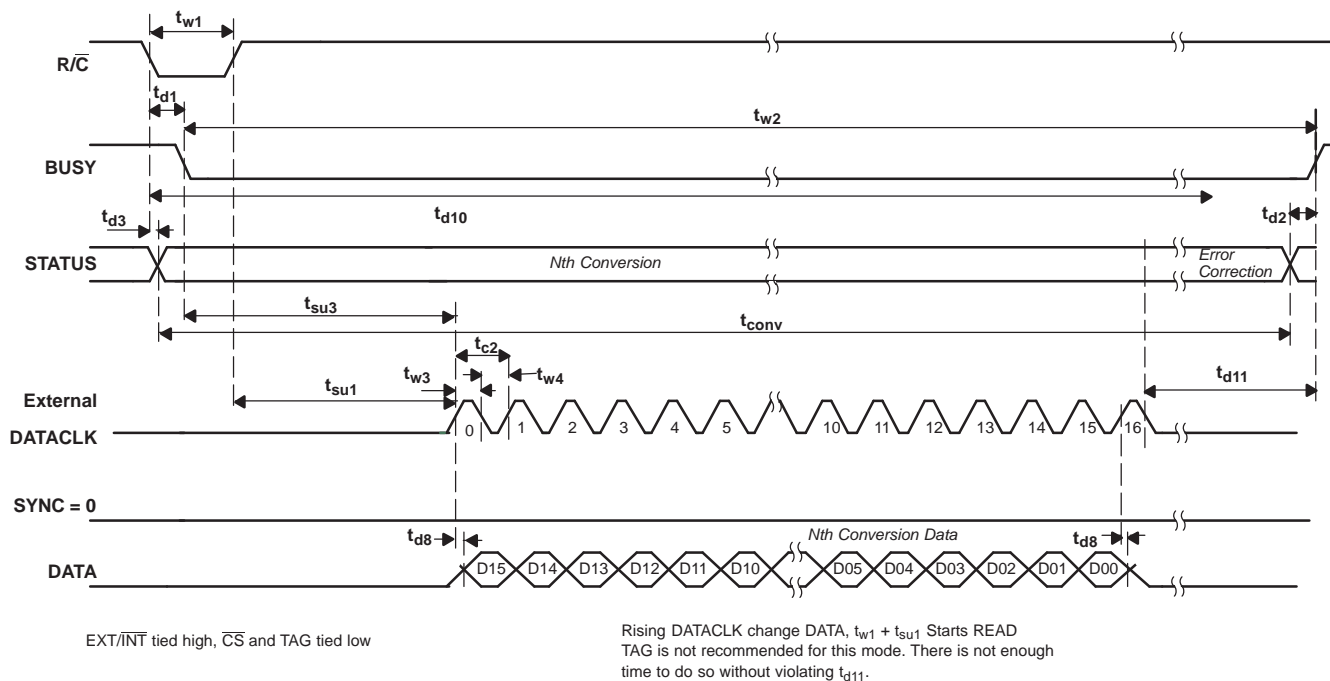


Figure 5. Read During Conversion (Discontinuous External DATACLK)

PARAMETER MEASUREMENT INFORMATION (continued)

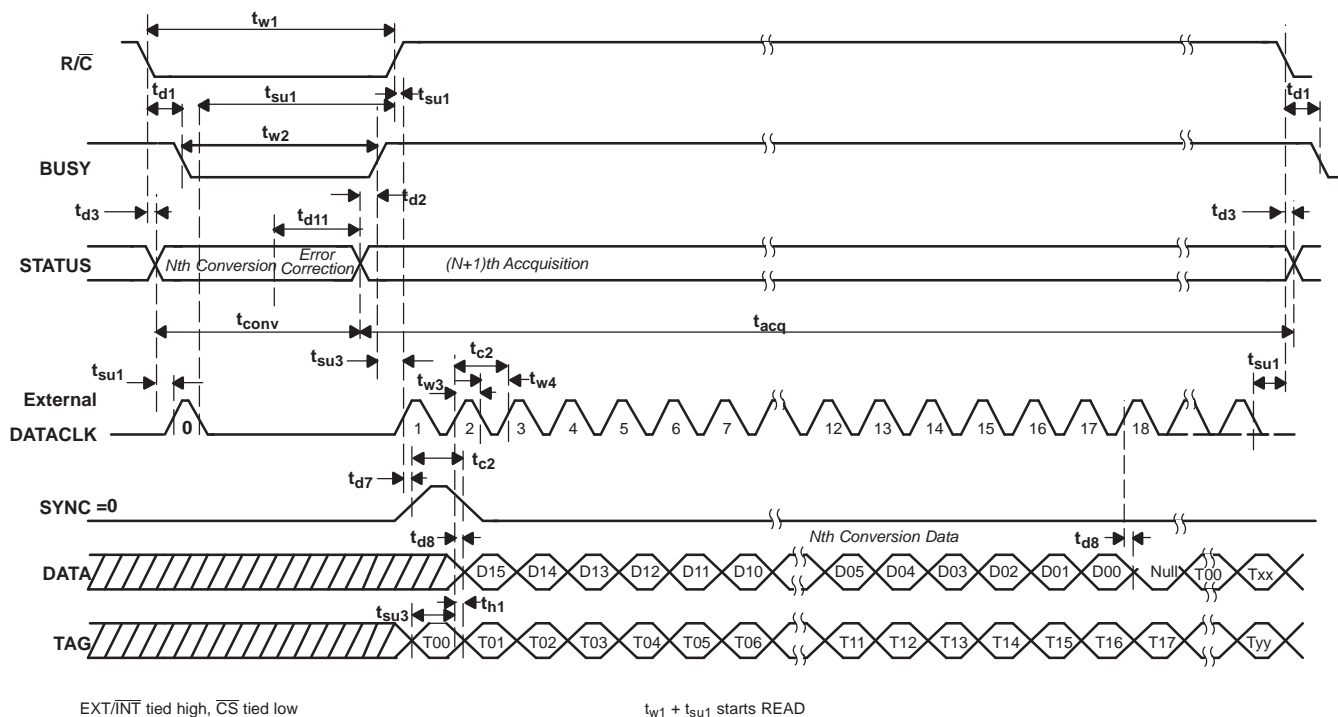


Figure 6. Read After Conversion With SYNC (Discontinuous External DATACLK)

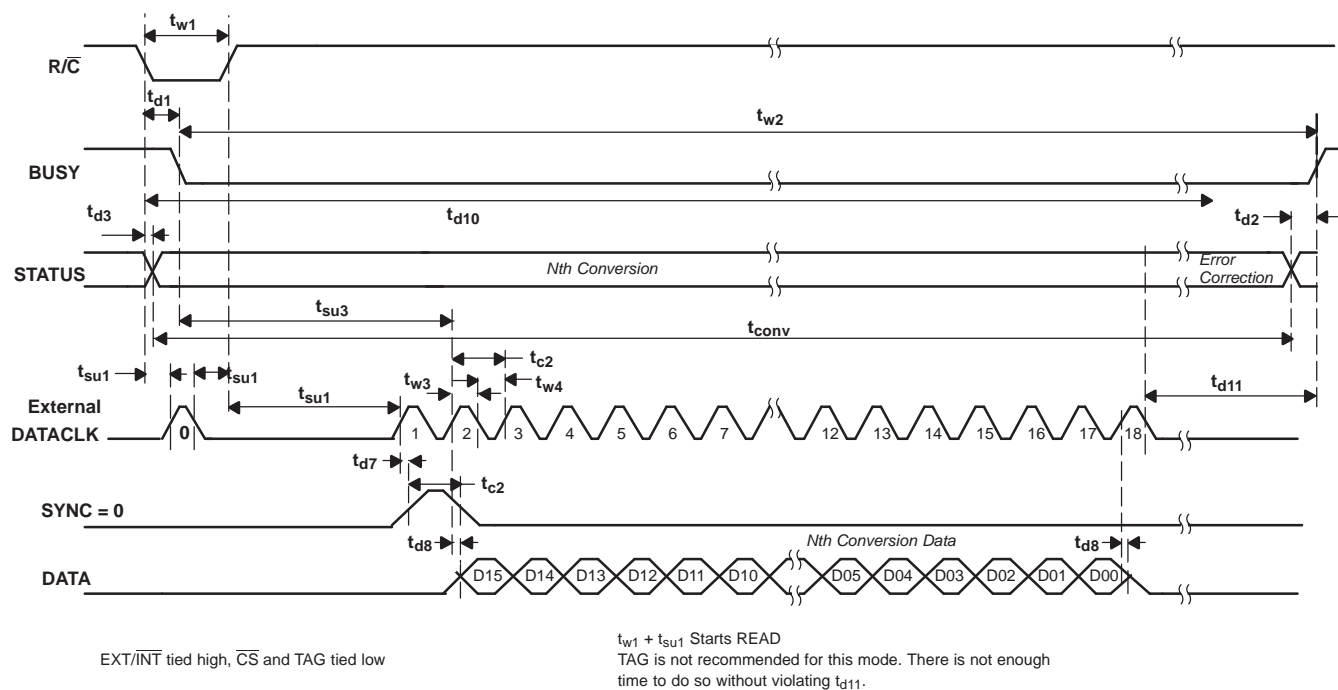


Figure 7. Read During Conversion With SYNC (Discontinuous External DATACLK)

PARAMETER MEASUREMENT INFORMATION (continued)

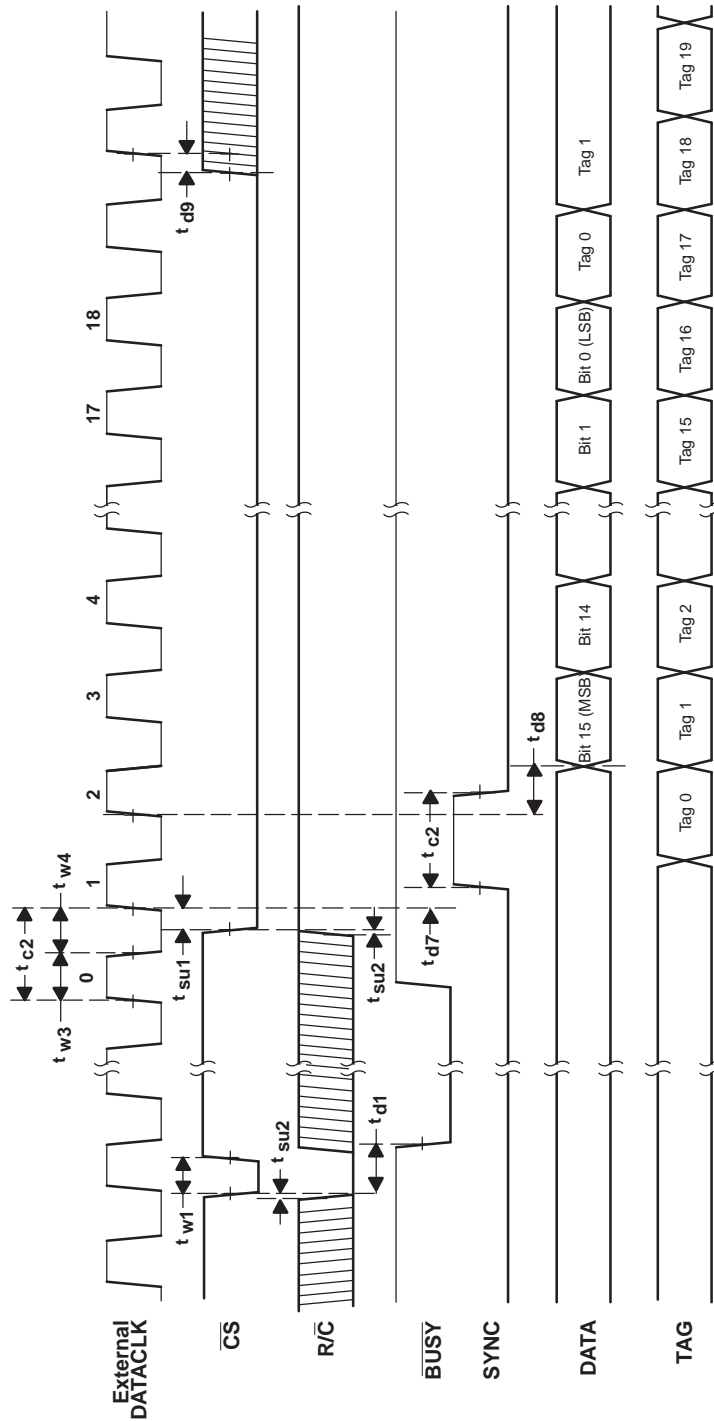


Figure 8. Conversion and Read Timing with Continuous External DATACLK (EXT/INT Tied High) Read After Conversions (Not Recommended)

PARAMETER MEASUREMENT INFORMATION (continued)

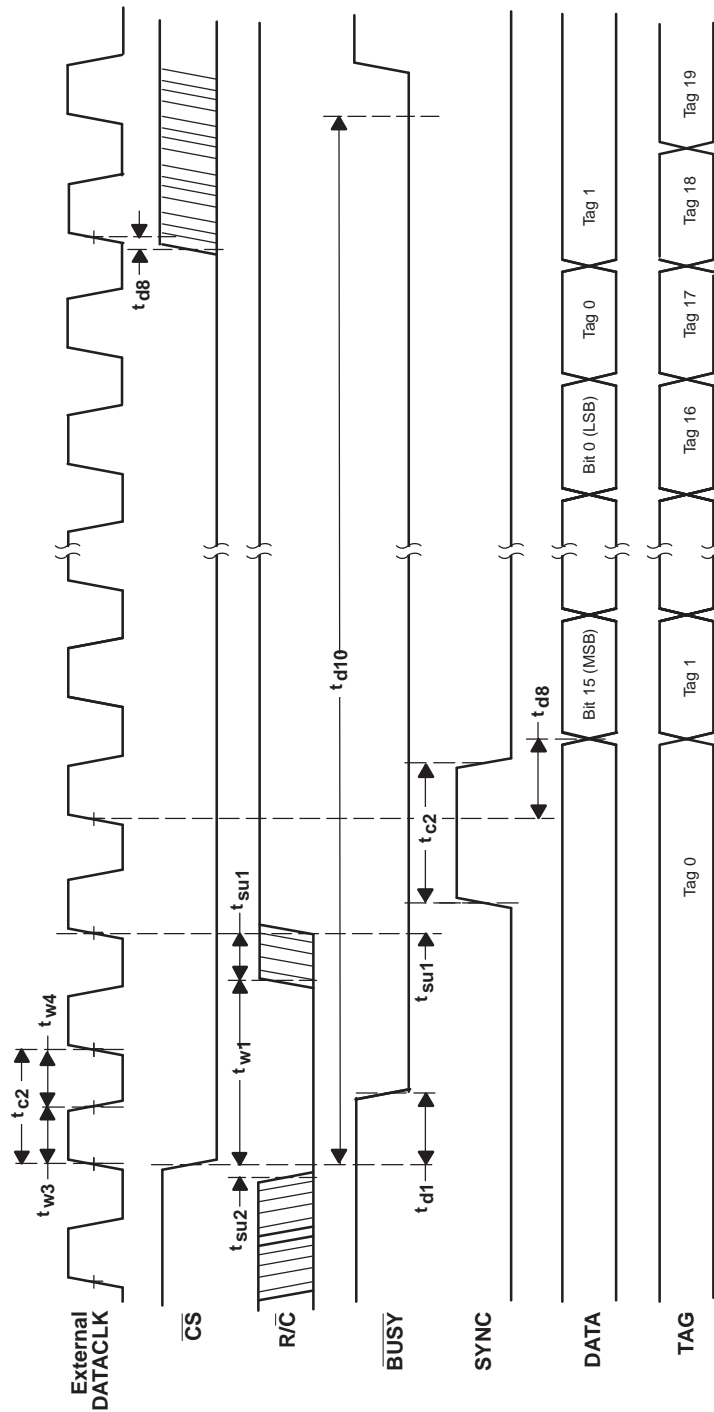


Figure 9. Conversion and Read Timing with Continuous External DATACLK (EXT/INT Tied High) Read Previous Conversion Results During Conversion (Not Recommended)

TYPICAL CHARACTERISTICS

SPURIOUS FREE DYNAMIC RANGE  
vs  
FREE-AIR TEMPERATURE

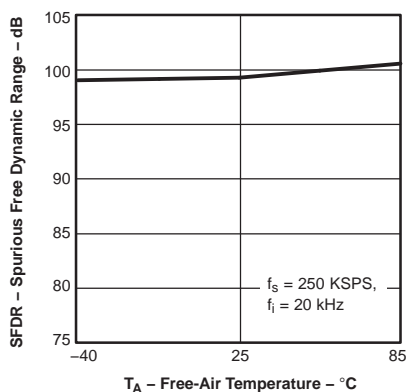


Figure 10.

TOTAL HARMONIC DISTORTION  
vs  
FREE-AIR TEMPERATURE

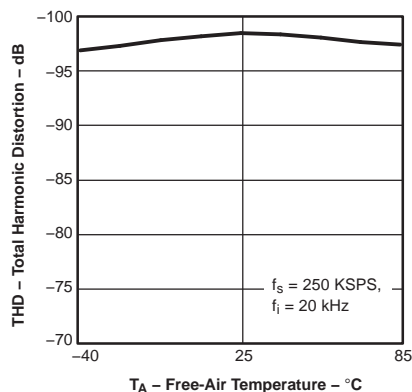


Figure 11.

SIGNAL-TO-NOISE RATIO  
vs  
FREE-AIR TEMPERATURE

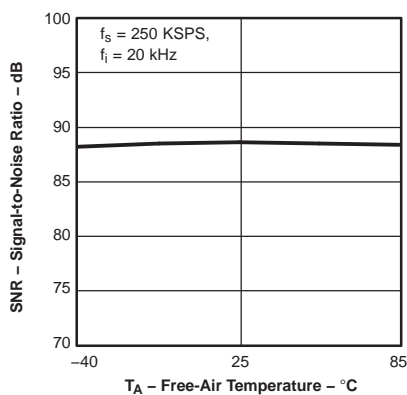


Figure 12.

SIGNAL-TO-NOISE AND DISTORTION  
vs  
FREE-AIR TEMPERATURE

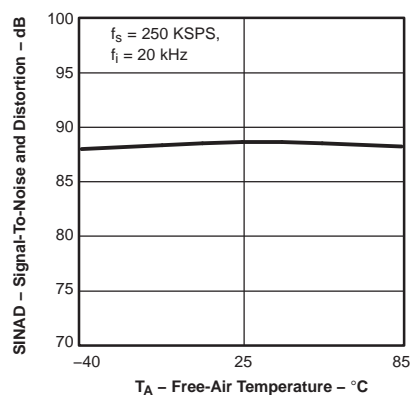


Figure 13.

SIGNAL-TO-NOISE RATIO  
vs  
INPUT FREQUENCY

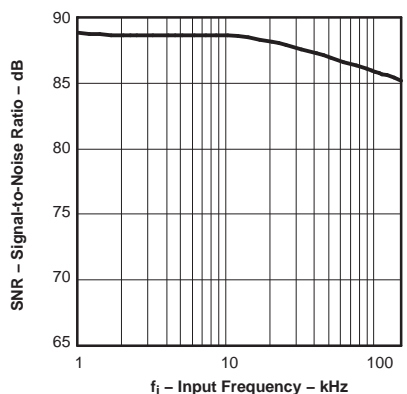


Figure 14.

SIGNAL-TO-NOISE AND DISTORTION  
vs  
INPUT FREQUENCY

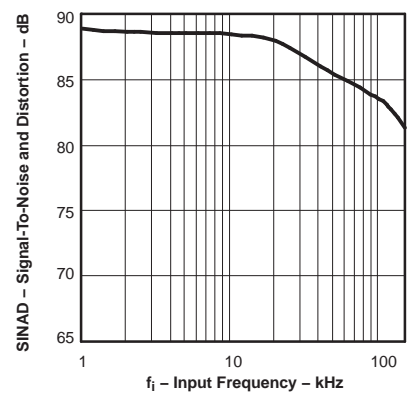
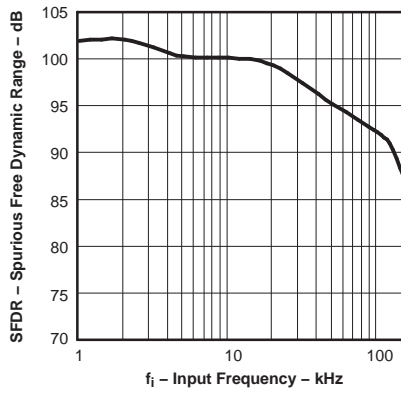


Figure 15.

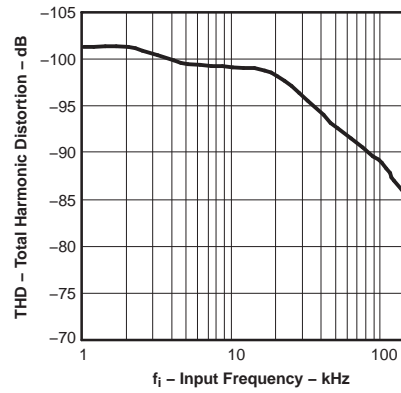
**TYPICAL CHARACTERISTICS (continued)**

**SPURIOUS FREE DYNAMIC RANGE  
VS  
INPUT FREQUENCY**



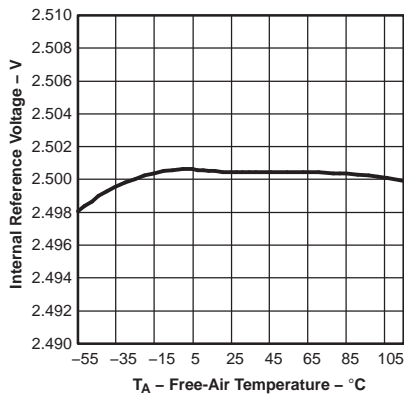
**Figure 16.**

**TOTAL HARMONIC DISTORTION  
VS  
INPUT FREQUENCY**



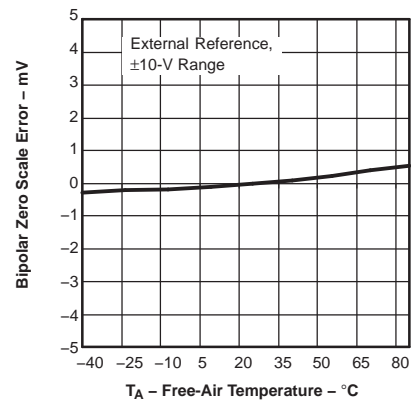
**Figure 17.**

**INTERNAL REFERENCE VOLTAGE  
VS  
FREE-AIR TEMPERATURE**



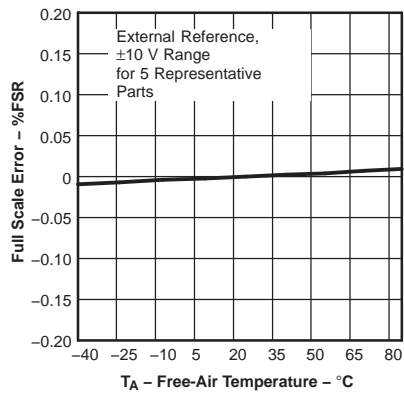
**Figure 18.**

**BIPOLAR ZERO SCALE ERROR  
VS  
FREE-AIR TEMPERATURE**



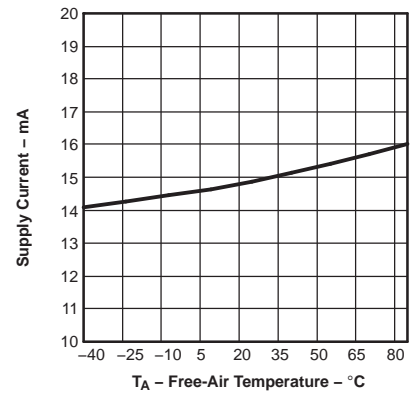
**Figure 19.**

**FULL SCALE ERROR  
VS  
FREE-AIR TEMPERATURE**



**Figure 20.**

**SUPPLY CURRENT  
VS  
FREE-AIR TEMPERATURE**



**Figure 21.**

TYPICAL CHARACTERISTICS (continued)

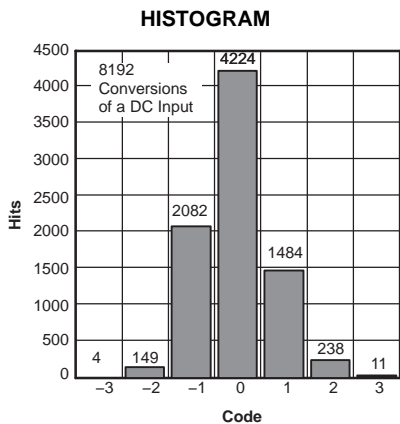


Figure 22.

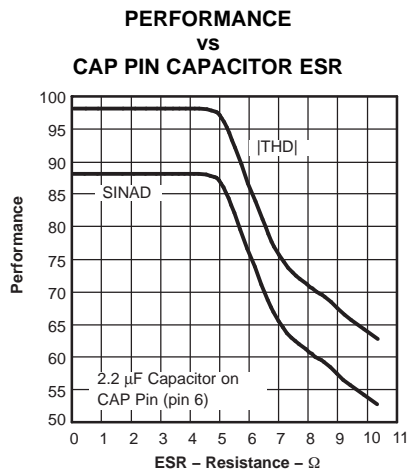


Figure 23.

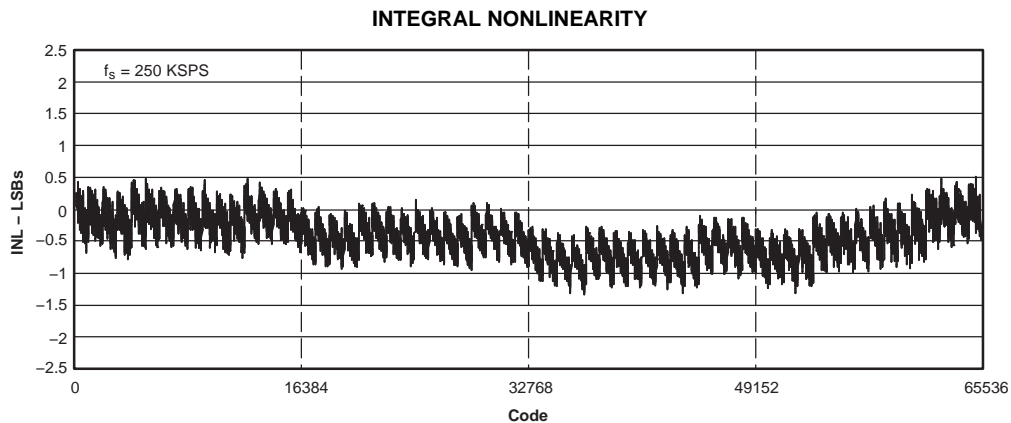


Figure 24.

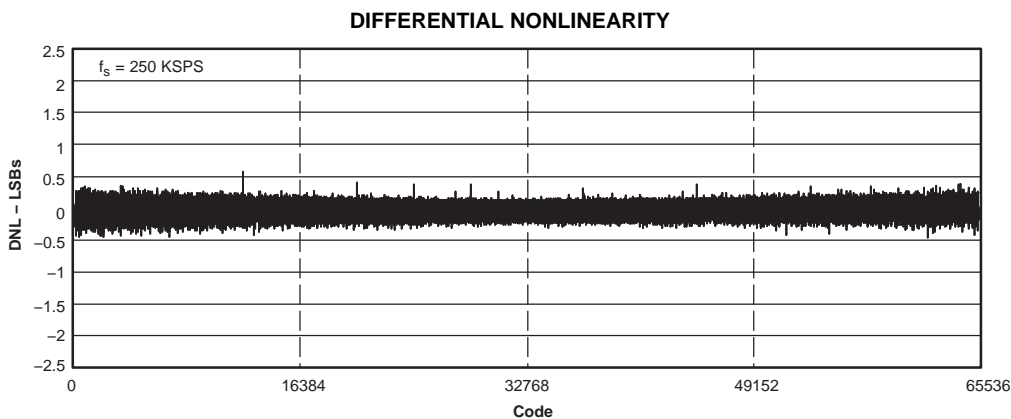


Figure 25.

## TYPICAL CHARACTERISTICS (continued)

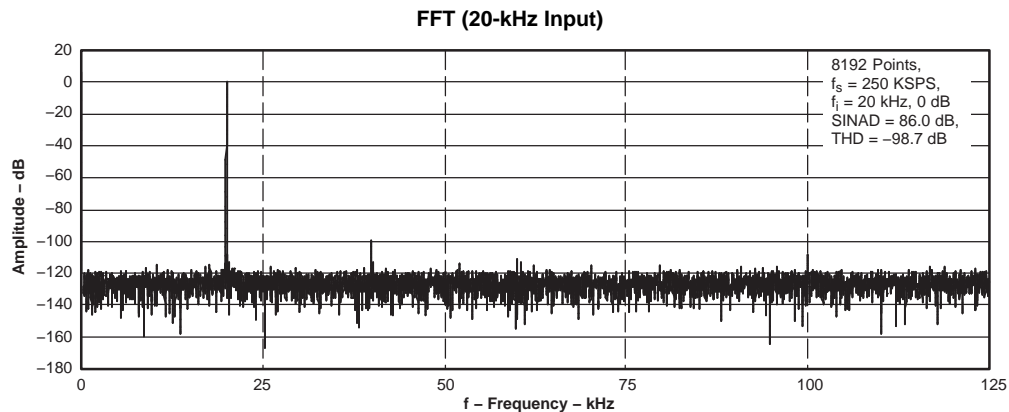


Figure 26.

### BASIC OPERATION

Two signals control conversion in the ADS8509:  $\overline{CS}$  and  $R/\overline{C}$ . These two signals are internally ORed together. To start a conversion the chip must be selected,  $\overline{CS}$  low, and the conversion signal must be active,  $R/\overline{C}$  low. Either signal can be brought low first. Conversion starts on the falling edge of the second signal.  $\overline{BUSY}$  goes low when conversion starts and returns high after the data from that conversion is shifted into the internal storage register. Sampling begins when  $\overline{BUSY}$  goes high.

To reduce the number of control pins  $\overline{CS}$  can be tied low permanently. The  $R/\overline{C}$  pin now controls conversion and data reading exclusively. In the external clock mode this means that the ADS8509 clocks out data whenever  $R/\overline{C}$  is brought high and the external clock is active. In the internal clock mode data is clocked out every convert cycle regardless of the states of  $\overline{CS}$  and  $R/\overline{C}$ . The ADS8509 provides a TAG input for cascading multiple converters together.

### READING DATA

The conversion result is available as soon as  $\overline{BUSY}$  returns to high, therefore data always represents the conversion previously completed even when it is read during a conversion. The ADS8509 outputs serial data in either straight binary or binary two's complement format. The  $SB/\overline{BTC}$  pin controls the format. Data is shifted out MSB first. The first conversion immediately following a power-up does not produce a valid conversion result.

Data can be clocked out with either the internally generated clock or with an external clock. The  $EXT/\overline{INT}$  pin controls this function. If an external clock is used, the TAG input can be used to daisy-chain multiple ADS8509 data pins together.

### INTERNAL DATACLK

In internal clock mode data for the previous conversion is clocked out during each conversion period. The internal data clock is synchronized to the internal conversion clock so that it does not interfere with the conversion process.

The DATACLK pin becomes an output when  $EXT/\overline{INT}$  is low. 16 Clock pulses are generated at the beginning of each conversion after timing  $t_b$  is satisfied, i.e. only the previous conversion result can be read during conversion. DATACLK returns to low when it is inactive. The 16 bits of serial data are shifted out the DATA pin synchronous to this clock with each bit available on a rising and then a falling edge. The DATA pin returns to the state of the TAG pin input sensed at the start of transmission.

### EXTERNAL DATACLK

The external clock mode offers several ways to retrieve conversion results. However, since the external clock cannot be synchronized to the internal conversion clock care must be taken to avoid corrupting the data.



When  $\overline{\text{EXT/INT}}$  is set high, the  $\overline{\text{R/C}}$  and  $\overline{\text{CS}}$  signals control the read state. When the read state is initiated, the result from the previously completed conversion is shifted out the DATA pin synchronous to the external clock that is connected to the DATACLK pin. Each bit is available on a falling and then a rising edge. The maximum external clock speed of 28.5 MHz allows data to be shifted out quickly either at the beginning of conversion or the beginning of sampling.

There are several modes of operation available when using an external clock. It is recommended that the external clock run only while reading data. This is discontinuous clock mode. Since the external clock is not synchronized to the internal clock that controls conversion slight changes in the external clock can cause conflicts that can corrupt the conversion process. Specifications with a continuously running external clock cannot be ensured. It is especially important that the external clock does not run during the second half of the conversion cycle (approximately the time period specified by  $t_{d11}$ , see the TIMING REQUIREMENTS table).

In discontinuous clock mode data can be read during conversion or during sampling, with or without a SYNC pulse. Data read during conversion must meet the  $t_{d11}$  timing specification. Data read during sampling must be complete before starting a conversion.

Whether reading during sampling or during conversion a SYNC pulse is generated whenever at least one rising edge of the external clock occurs while the part is not in the read state. In the *discontinuous external clock with SYNC* mode a SYNC pulse follows the first rising edge after the read command. The data is shifted out after the SYNC pulse. The first rising clock edge after the read command generates a SYNC pulse. The SYNC pulse can be detected on the next falling edge and then the next rising edge. Successively, each bit can be read first on the falling edge and then on the next rising edge. Thus 17 clock pulses after the read command are required to read on the falling edge. 18 Clock pulses are necessary to read on the rising edge.

**Table 1. DATACLK Pulses**

| DESCRIPTION                     | DATACLK PULSES REQUIRED |              |
|---------------------------------|-------------------------|--------------|
|                                 | WITH SYNC               | WITHOUT SYNC |
| Read on falling edge of DATACLK | 17                      | 16           |
| Read on rising edge of DATACLK  | 18                      | 17           |

If the clock is entirely inactive when not in the read state a SYNC pulse is not generated. In this case the first rising clock edge shifts out the MSB. The MSB can be read on the first falling edge or on the next rising edge. In this *discontinuous external clock mode with no SYNC*, 16 clocks are necessary to read the data on the falling edge and 17 clocks for reading on the rising edge. Data always represents the conversion already completed.

## TAG FEATURE

The TAG feature allows the data from multiple ADS8509 converters to be read on a single serial line. The converters are cascaded together using the DATA pins as outputs and the TAG pins as inputs as illustrated in [Figure 27](#). The DATA pin of the last converter drives the processor's serial data input. Data is then shifted through each converter, synchronous to the externally supplied data clock, onto the serial data line. The internal clock cannot be used for this configuration.

The preferred timing uses the discontinuous external data clock during the sampling period. Data must be read during the sampling period because there is not sufficient time to read data from multiple converters during a conversion period without violating the  $t_{d11}$  constraint (see the EXTERNAL DATACLOCK section). The sampling period must be sufficiently long to allow all data words to be read before starting a new conversion.

Note, in [Figure 27](#), that a NULL bit separates the data word from each converter. The state of the DATA pin at the end of a READ cycle reflects the state of the TAG pin at the start of the cycle. This is true in all READ modes, including the internal clock mode. For example, when a single converter is used in internal clock mode, the state of the TAG pin determines the state of the DATA pin after all 16 bits have shifted out. When multiple converters are cascaded together, this state forms the NULL bit that separates the words. Thus, with the TAG pin of the first converter grounded as shown in [Figure 27](#) the NULL bit becomes a zero between each data word.

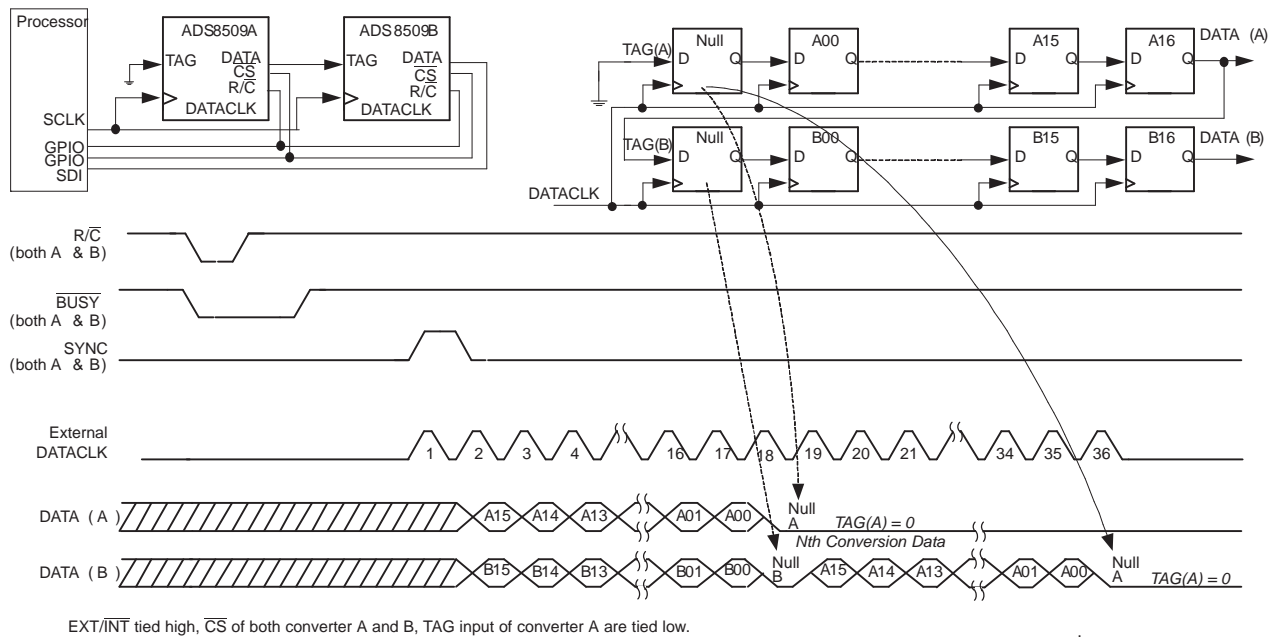


Figure 27. Timing of TAG Feature With Single Conversion (Using External DATACLK)

## ANALOG INPUTS

The ADS8509 has six analog input ranges as shown in Table 2. The offset and gain specifications are factory calibrated with 0.1%, 0.25-W, external resistors as shown in Figure 29 and Figure 30. The external resistors can be omitted if larger gain and offset errors are acceptable or if using software calibration. The hardware trim circuitry shown in Figure 29 and Figure 30 can reduce the errors to zero.

The analog input pins R1<sub>IN</sub>, R2<sub>IN</sub>, and R3<sub>IN</sub> have ±25-V overvoltage protection. The input signal must be referenced to AGND1. This minimizes the ground loop problem typical to analog designs. The analog input should be driven by a low impedance source. A typical driving circuit using OPA627 or OPA132 is shown in Figure 28.

The ADS8509 can operate with its internal 2.5-V reference or an external reference. An external reference connected to pin 6 (REF) bypasses the internal reference. The external reference must drive the 4-kΩ resistor that separates pin 6 from the internal reference (see the illustration on page 1). The load varies with the difference between the internal and external reference voltages. The external reference voltage can vary from 2.3 V to 2.7 V. The internal reference is approximately 2.5 V. The reference, whether internal or external, is buffered internally with a buffer with its output on pin 5 (CAP).

The ADS8509 is factory tested with 2.2-μF capacitors connected to pins 5 and 6 (CAP and REF). Each capacitor should be placed as close as possible to its pin. The capacitor on pin 6 band limits the internal reference noise. A smaller capacitor can be used but it may degrade SNR and SINAD. The capacitor on pin 5 stabilizes the reference buffer and provides switching charge to the CDAC during conversion. Capacitors smaller than 1 μF can cause the buffer to become unstable and may not hold sufficient charge for the CDAC. The parts are tested to specifications with 2.2 μF so larger capacitors are not necessary. The equivalent series resistor (ESR) of these compensation capacitors is also critical. The total ESR must be kept under 3 Ω. See the TYPICAL CHARACTERISTICS section concerning how ESR affects performance.

Neither the internal reference nor the buffer should be used to drive an external load. Such loading can degrade performance. Any load on the internal reference causes a voltage drop across the 4-kΩ resistor and affects gain. The internal buffer is capable of driving ±2-mA loads but any load can cause perturbations of the reference at the CDAC, degrading performance. It should be pointed out that, unlike other competitor's parts with similar input structure, the ADS8509 does not require a second high-speed amplifier used as a buffer to isolate the CAP pin from the signal dependent current in the R3<sub>IN</sub> pin but can tolerate it if one does exist.

The external reference voltage can vary from 2.3 V to 2.7 V. The reference voltage determines the size of the least significant bit (LSB). The larger reference voltages produce a larger LSB, which can improve SNR. Smaller reference voltages can degrade SNR.

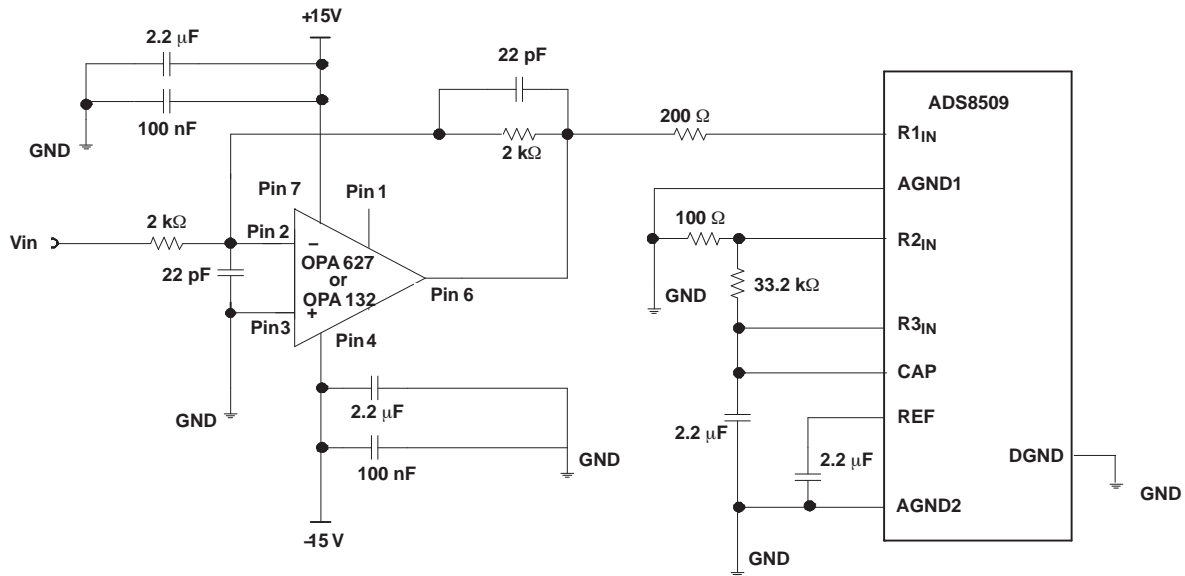


Figure 28. Typical Driving Circuitry ( $\pm 10$  V, No Trim)

**Table 2. Input Range Connections (See Figure 29 and Figure 30 for Complete Information)**

| ANALOG INPUT RANGE | CONNECT R1 <sub>IN</sub> VIA 200 Ω TO | CONNECT R2 <sub>IN</sub> VIA 100 Ω TO | CONNECT R3 TO   | IMPEDANCE |
|--------------------|---------------------------------------|---------------------------------------|-----------------|-----------|
| ±10 V              | V <sub>IN</sub>                       | AGND                                  | CAP             | 11.5 kΩ   |
| ±5 V               | AGND                                  | V <sub>IN</sub>                       | CAP             | 6.7 kΩ    |
| ±3.33 V            | V <sub>IN</sub>                       | V <sub>IN</sub>                       | CAP             | 5.4 kΩ    |
| 0 V to 10 V        | AGND                                  | V <sub>IN</sub>                       | AGND            | 6.7 kΩ    |
| 0 V to 5 V         | AGND                                  | AGND                                  | V <sub>IN</sub> | 5.0 kΩ    |
| 0 V to 4 V         | V <sub>IN</sub>                       | AGND                                  | V <sub>IN</sub> | 5.4 kΩ    |

**Table 3. Control Truth Table**

| SPECIFIC FUNCTION  | $\overline{CS}$ | R/ $\overline{C}$ | $\overline{BUSY}$ | EXT/ $\overline{INT}$ | DATACLK | PWRD | SB/ $\overline{BTC}$ | OPERATION  |
|--|-----------------|-------------------|-------------------|-----------------------|---------|------|----------------------|--|
| Initiate conversion and output data using internal clock | 1 > 0           | 0                 | 1                 | 0                     | Output  | 0    | x                    | Initiates conversion <i>n</i> . Data from conversion <i>n</i> - 1 clocked out on DATA synchronized to 16 clock pulses output on DATACLK. |
|  | 0               | 1 > 0             | 1                 | 0                     | Output  | 0    | x                    |  |
| Initiate conversion and output data using external clock | 1 > 0           | 0                 | 1                 | 1                     | Input   | 0    | x                    | Initiates conversion <i>n</i> .  |
|  | 0               | 1 > 0             | 1                 | 1                     | Input   | 0    | x                    | Initiates conversion <i>n</i> .  |
|  | 1 > 0           | 1                 | 1                 | 1                     | Input   | x    | x                    | Outputs data with or without SYNC pulse. See section READING DATA.   |
|  | 1 > 0           | 1                 | 0                 | 1                     | Input   | 0    | x                    | Outputs data with or without SYNC pulse. See section READING DATA.   |
| 0  | 0 > 1           | 0                 | 1                 | Input                 | 0       | x    |                      |  |
| No actions   | 0               | 0                 | 0 > 1             | x                     | x       | 0    | x                    | This is an acceptable condition.   |
| Power down   | x               | x                 | x                 | x                     | x       | 0    | x                    | Analog circuitry powered. Conversion can proceed..   |
|  | x               | x                 | x                 | x                     | x       | 1    | x                    | Analog circuitry disabled. Data from previous conversion maintained in output registers.   |
| Select output format                                     | x               | x                 | x                 | x                     | x       | x    | 0                    | Serial data is output in binary 2's complement format.   |
|  | x               | x                 | x                 | x                     | x       | x    | 1                    | Serial data is output in straight binary format.   |

**Table 4. Output Codes and Ideal Input Voltages**

| DESCRIPTI<br>ON             | ANALOG INPUT |            |             |             |            |            | DIGITAL OUTPUT                           |          |                                     |          |
|-----------------------------|--------------|------------|-------------|-------------|------------|------------|--|----------|-------------------------------------|----------|
|                             |              |            |             |             |            |            | BINARY 2'S<br>COMPLEMENT<br>(SB/BTC LOW) |          | STRAIGHT<br>BINARY<br>(SB/BTC HIGH) |          |
|                             |              |            |             |             |            |            | BINARY CODE                              | HEX CODE | BINARY CODE                         | HEX CODE |
| Full-scale range            | ±10          | ±5         | ±3.33 V     | 0 V to 10 V | 0 V to 5 V | 0 V to 4 V |  |          |                                     |          |
| Least significant bit (LSB) | 305 μV       | 153 μV     | 102 μV      | 153 μV      | 76 μV      | 61 μV      |  |          |                                     |          |
| Full scale (FS - 1LSB)      | 9.999695 V   | 4.999847 V | 3.333231 V  | 9.999847 V  | 4.999924 V | 3.999939 V | 0111 1111 1111 1111                      | 7FFF     | 1111 1111 1111 1111                 | FFFF     |
| Midscale                    | 0 V          | 0 V        | 0 V         | 5 V         | 2.5 V      | 2 V        | 0000 0000 0000 0000                      | 0000     | 1000 0000 0000 0000                 | 8000     |
| One LSB below midscale      | -305 μV      | 153 μV     | ±102 μV     | 4.999847 V  | 2.499924 V | 1.999939 V | 1111 1111 1111 1111                      | FFFF     | 0111 1111 1111 1111                 | 7FFF     |
| -Full scale                 | -10 V        | -5 V       | -3.333333 V | 0 V         | 0 V        | 0 V        | 1000 0000 0000 0000                      | 8000     | 0000 0000 0000 0000                 | 0000     |

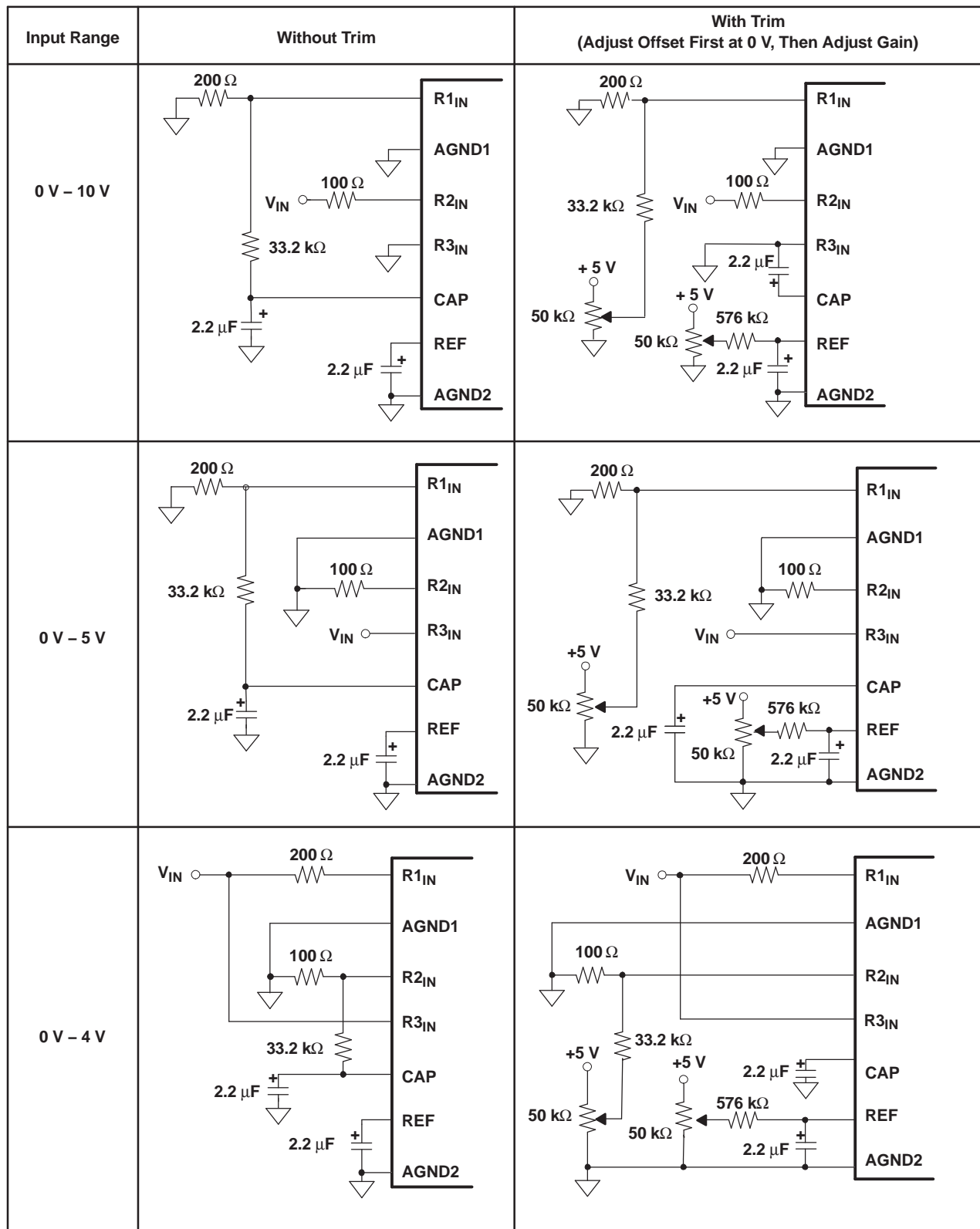


Figure 29. Offset/Gain Circuits for Unipolar Input Ranges

| Input Range | Without Trim | With Trim<br>(Adjust Offset First at 0 V, Then Adjust Gain) |
|-------------|--------------|---|
| ±10 V       |              |   |
| ±5 V        |              |   |
| ±3.3 V      |              |   |

Figure 30. Offset/Gain Circuits for Bipolar Input Ranges

## REVISION HISTORY

Page numbers for previous revisions may differ from page numbers in the current version.

| Changes from Revision B (April 2007) to Revision C   | Page |
|--|------|
| • Deleted Lead Temperature from <i>Absolute Maximum Ratings</i> .....                        | 2    |
| • Changed SB/ $\overline{\text{BTC}}$ pin from "O" to "I" .....                              | 6    |
| • Changed location of <i>Timing Requirements</i> table to be closer to timing diagrams ..... | 7    |

**PACKAGING INFORMATION**

| Orderable Device | Status<br>(1) | Package Type | Package Drawing | Pins | Package Qty | Eco Plan<br>(2) | Lead finish/<br>Ball material<br>(6) | MSL Peak Temp<br>(3) | Op Temp (°C) | Device Marking<br>(4/5) | Samples                 |
|------------------|---------------|--------------|-----------------|------|-------------|-----------------|--------------------------------------|----------------------|--------------|-------------------------|-------------------------|
| ADS8509IBDB      | ACTIVE        | SSOP         | DB              | 28   | 50          | RoHS & Green    | Call TI                              | Level-2-260C-1 YEAR  | -40 to 85    | ADS8509I<br>B           | <a href="#">Samples</a> |
| ADS8509IBDW      | ACTIVE        | SOIC         | DW              | 20   | 25          | RoHS & Green    | NIPDAU                               | Level-2-260C-1 YEAR  | -40 to 85    | ADS8509I<br>B           | <a href="#">Samples</a> |
| ADS8509IBDWG4    | ACTIVE        | SOIC         | DW              | 20   | 25          | RoHS & Green    | NIPDAU                               | Level-2-260C-1 YEAR  | -40 to 85    | ADS8509I<br>B           | <a href="#">Samples</a> |
| ADS8509IBDWR     | ACTIVE        | SOIC         | DW              | 20   | 2000        | RoHS & Green    | NIPDAU                               | Level-2-260C-1 YEAR  | -40 to 85    | ADS8509I<br>B           | <a href="#">Samples</a> |
| ADS8509IBDWRG4   | ACTIVE        | SOIC         | DW              | 20   | 2000        | RoHS & Green    | NIPDAU                               | Level-2-260C-1 YEAR  | -40 to 85    | ADS8509I<br>B           | <a href="#">Samples</a> |
| ADS8509IDB       | ACTIVE        | SSOP         | DB              | 28   | 50          | RoHS & Green    | Call TI                              | Level-2-260C-1 YEAR  | -40 to 85    | ADS8509I                | <a href="#">Samples</a> |
| ADS8509IDBR      | ACTIVE        | SSOP         | DB              | 28   | 2000        | RoHS & Green    | Call TI                              | Level-2-260C-1 YEAR  | -40 to 85    | ADS8509I                | <a href="#">Samples</a> |
| ADS8509IDW       | ACTIVE        | SOIC         | DW              | 20   | 25          | RoHS & Green    | NIPDAU                               | Level-2-260C-1 YEAR  | -40 to 85    | ADS8509I                | <a href="#">Samples</a> |
| ADS8509IDWG4     | ACTIVE        | SOIC         | DW              | 20   | 25          | RoHS & Green    | NIPDAU                               | Level-2-260C-1 YEAR  | -40 to 85    | ADS8509I                | <a href="#">Samples</a> |
| ADS8509IDWR      | ACTIVE        | SOIC         | DW              | 20   | 2000        | RoHS & Green    | NIPDAU                               | Level-2-260C-1 YEAR  | -40 to 85    | ADS8509I                | <a href="#">Samples</a> |

(1) The marketing status values are defined as follows:

**ACTIVE:** Product device recommended for new designs.

**LIFEBUY:** TI has announced that the device will be discontinued, and a lifetime-buy period is in effect.

**NRND:** Not recommended for new designs. Device is in production to support existing customers, but TI does not recommend using this part in a new design.

**PREVIEW:** Device has been announced but is not in production. Samples may or may not be available.

**OBSOLETE:** TI has discontinued the production of the device.

(2) **RoHS:** TI defines "RoHS" to mean semiconductor products that are compliant with the current EU RoHS requirements for all 10 RoHS substances, including the requirement that RoHS substance do not exceed 0.1% by weight in homogeneous materials. Where designed to be soldered at high temperatures, "RoHS" products are suitable for use in specified lead-free processes. TI may reference these types of products as "Pb-Free".

**RoHS Exempt:** TI defines "RoHS Exempt" to mean products that contain lead but are compliant with EU RoHS pursuant to a specific EU RoHS exemption.

**Green:** TI defines "Green" to mean the content of Chlorine (Cl) and Bromine (Br) based flame retardants meet JS709B low halogen requirements of <=1000ppm threshold. Antimony trioxide based flame retardants must also meet the <=1000ppm threshold requirement.

(3) MSL, Peak Temp. - The Moisture Sensitivity Level rating according to the JEDEC industry standard classifications, and peak solder temperature.



(4) There may be additional marking, which relates to the logo, the lot trace code information, or the environmental category on the device.

(5) Multiple Device Markings will be inside parentheses. Only one Device Marking contained in parentheses and separated by a "~" will appear on a device. If a line is indented then it is a continuation of the previous line and the two combined represent the entire Device Marking for that device.

(6) Lead finish/Ball material - Orderable Devices may have multiple material finish options. Finish options are separated by a vertical ruled line. Lead finish/Ball material values may wrap to two lines if the finish value exceeds the maximum column width.

**Important Information and Disclaimer:**The information provided on this page represents TI's knowledge and belief as of the date that it is provided. TI bases its knowledge and belief on information provided by third parties, and makes no representation or warranty as to the accuracy of such information. Efforts are underway to better integrate information from third parties. TI has taken and continues to take reasonable steps to provide representative and accurate information but may not have conducted destructive testing or chemical analysis on incoming materials and chemicals. TI and TI suppliers consider certain information to be proprietary, and thus CAS numbers and other limited information may not be available for release.

In no event shall TI's liability arising out of such information exceed the total purchase price of the TI part(s) at issue in this document sold by TI to Customer on an annual basis.

**TAPE AND REEL INFORMATION**

**QUADRANT ASSIGNMENTS FOR PIN 1 ORIENTATION IN TAPE**


\*All dimensions are nominal

| Device       | Package Type | Package Drawing | Pins | SPQ  | Reel Diameter (mm) | Reel Width W1 (mm) | A0 (mm) | B0 (mm) | K0 (mm) | P1 (mm) | W (mm) | Pin1 Quadrant |
|--------------|--------------|-----------------|------|------|--------------------|--------------------|---------|---------|---------|---------|--------|---------------|
| ADS8509IBDWR | SOIC         | DW              | 20   | 2000 | 330.0              | 24.4               | 10.8    | 13.3    | 2.7     | 12.0    | 24.0   | Q1            |
| ADS8509IDBR  | SSOP         | DB              | 28   | 2000 | 330.0              | 16.4               | 8.1     | 10.4    | 2.5     | 12.0    | 16.0   | Q1            |
| ADS8509IDWR  | SOIC         | DW              | 20   | 2000 | 330.0              | 24.4               | 10.8    | 13.3    | 2.7     | 12.0    | 24.0   | Q1            |

**TAPE AND REEL BOX DIMENSIONS**


\*All dimensions are nominal

| Device       | Package Type | Package Drawing | Pins | SPQ  | Length (mm) | Width (mm) | Height (mm) |
|--------------|--------------|-----------------|------|------|-------------|------------|-------------|
| ADS8509IBDWR | SOIC         | DW              | 20   | 2000 | 350.0       | 350.0      | 43.0        |
| ADS8509IDBR  | SSOP         | DB              | 28   | 2000 | 350.0       | 350.0      | 43.0        |
| ADS8509IDWR  | SOIC         | DW              | 20   | 2000 | 350.0       | 350.0      | 43.0        |

**TUBE**


\*All dimensions are nominal

| Device        | Package Name | Package Type | Pins | SPQ | L (mm) | W (mm) | T (μm) | B (mm) |
|---------------|--------------|--------------|------|-----|--------|--------|--------|--------|
| ADS8509IBDB   | DB           | SSOP         | 28   | 50  | 530    | 10.5   | 4000   | 4.1    |
| ADS8509IBDW   | DW           | SOIC         | 20   | 25  | 506.98 | 12.7   | 4826   | 6.6    |
| ADS8509IBDWG4 | DW           | SOIC         | 20   | 25  | 506.98 | 12.7   | 4826   | 6.6    |
| ADS8509IDB    | DB           | SSOP         | 28   | 50  | 530    | 10.5   | 4000   | 4.1    |
| ADS8509IDW    | DW           | SOIC         | 20   | 25  | 506.98 | 12.7   | 4826   | 6.6    |
| ADS8509IDWG4  | DW           | SOIC         | 20   | 25  | 506.98 | 12.7   | 4826   | 6.6    |

# DB0028A



# PACKAGE OUTLINE

## SSOP - 2 mm max height

SMALL OUTLINE PACKAGE



4214853/B 03/2018

### NOTES:

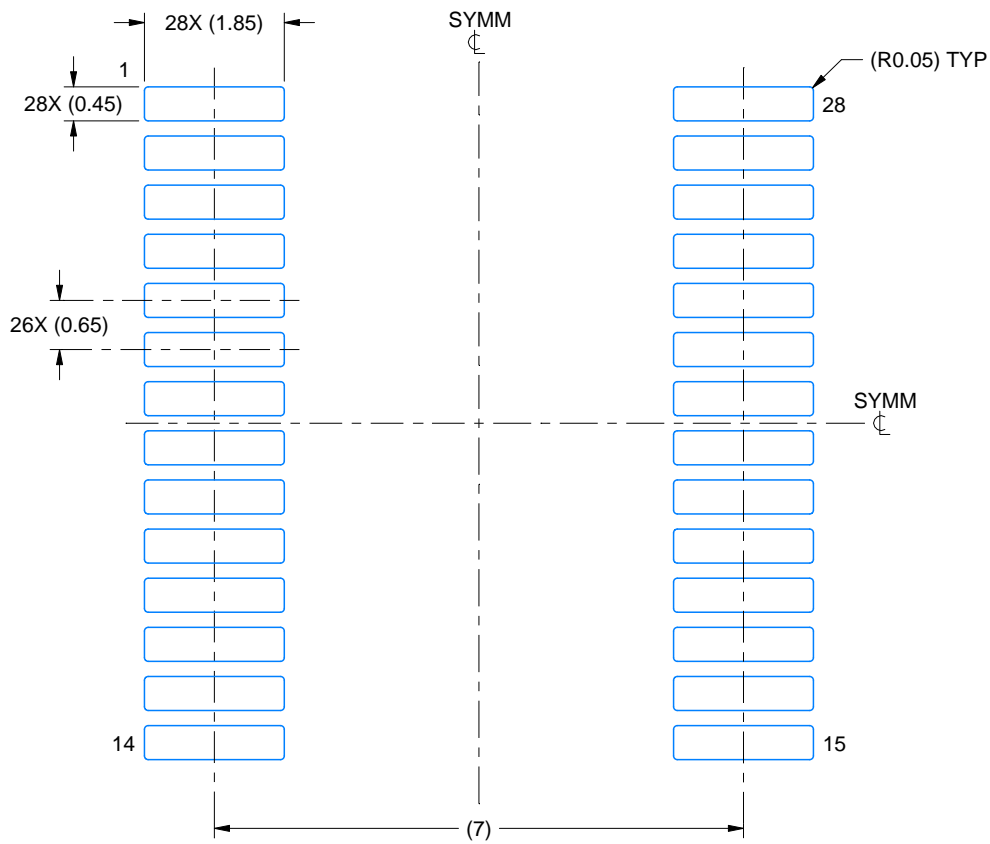
1. All linear dimensions are in millimeters. Any dimensions in parenthesis are for reference only. Dimensioning and tolerancing per ASME Y14.5M.
2. This drawing is subject to change without notice.
3. This dimension does not include mold flash, protrusions, or gate burrs. Mold flash, protrusions, or gate burrs shall not exceed 0.15 mm per side.
4. This dimension does not include interlead flash. Interlead flash shall not exceed 0.25 mm per side.
5. Reference JEDEC registration MO-150.

# EXAMPLE BOARD LAYOUT

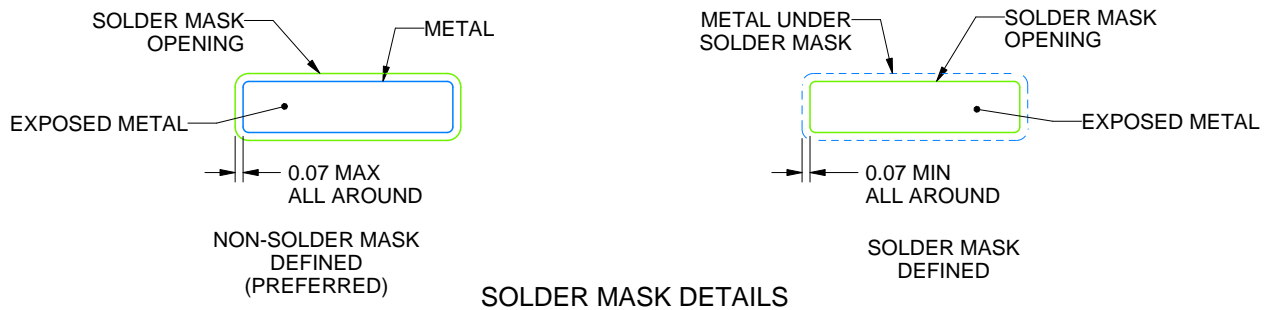
DB0028A

SSOP - 2 mm max height

SMALL OUTLINE PACKAGE



LAND PATTERN EXAMPLE  
EXPOSED METAL SHOWN  
SCALE: 10X



4214853/B 03/2018

NOTES: (continued)

- 6. Publication IPC-7351 may have alternate designs.
- 7. Solder mask tolerances between and around signal pads can vary based on board fabrication site.

# EXAMPLE STENCIL DESIGN

DB0028A

SSOP - 2 mm max height

SMALL OUTLINE PACKAGE



NOTES: (continued)

8. Laser cutting apertures with trapezoidal walls and rounded corners may offer better paste release. IPC-7525 may have alternate design recommendations.
9. Board assembly site may have different recommendations for stencil design.

# DW0020A



# PACKAGE OUTLINE

## SOIC - 2.65 mm max height

SOIC



**NOTES:**

1. All linear dimensions are in millimeters. Dimensions in parenthesis are for reference only. Dimensioning and tolerancing per ASME Y14.5M.
2. This drawing is subject to change without notice.
3. This dimension does not include mold flash, protrusions, or gate burrs. Mold flash, protrusions, or gate burrs shall not exceed 0.15 mm per side.
4. This dimension does not include interlead flash. Interlead flash shall not exceed 0.43 mm per side.
5. Reference JEDEC registration MS-013.



# EXAMPLE BOARD LAYOUT

DW0020A

SOIC - 2.65 mm max height

SOIC



LAND PATTERN EXAMPLE  
SCALE:6X



SOLDER MASK DETAILS

4220724/A 05/2016

NOTES: (continued)

- 6. Publication IPC-7351 may have alternate designs.
- 7. Solder mask tolerances between and around signal pads can vary based on board fabrication site.

# EXAMPLE STENCIL DESIGN

DW0020A

SOIC - 2.65 mm max height

SOIC



SOLDER PASTE EXAMPLE  
BASED ON 0.125 mm THICK STENCIL  
SCALE:6X

4220724/A 05/2016

NOTES: (continued)

8. Laser cutting apertures with trapezoidal walls and rounded corners may offer better paste release. IPC-7525 may have alternate design recommendations.
9. Board assembly site may have different recommendations for stencil design.

## IMPORTANT NOTICE AND DISCLAIMER

TI PROVIDES TECHNICAL AND RELIABILITY DATA (INCLUDING DATA SHEETS), DESIGN RESOURCES (INCLUDING REFERENCE DESIGNS), APPLICATION OR OTHER DESIGN ADVICE, WEB TOOLS, SAFETY INFORMATION, AND OTHER RESOURCES "AS IS" AND WITH ALL FAULTS, AND DISCLAIMS ALL WARRANTIES, EXPRESS AND IMPLIED, INCLUDING WITHOUT LIMITATION ANY IMPLIED WARRANTIES OF MERCHANTABILITY, FITNESS FOR A PARTICULAR PURPOSE OR NON-INFRINGEMENT OF THIRD PARTY INTELLECTUAL PROPERTY RIGHTS.

These resources are intended for skilled developers designing with TI products. You are solely responsible for (1) selecting the appropriate TI products for your application, (2) designing, validating and testing your application, and (3) ensuring your application meets applicable standards, and any other safety, security, regulatory or other requirements.

These resources are subject to change without notice. TI grants you permission to use these resources only for development of an application that uses the TI products described in the resource. Other reproduction and display of these resources is prohibited. No license is granted to any other TI intellectual property right or to any third party intellectual property right. TI disclaims responsibility for, and you will fully indemnify TI and its representatives against, any claims, damages, costs, losses, and liabilities arising out of your use of these resources.

TI's products are provided subject to [TI's Terms of Sale](#) or other applicable terms available either on [ti.com](http://ti.com) or provided in conjunction with such TI products. TI's provision of these resources does not expand or otherwise alter TI's applicable warranties or warranty disclaimers for TI products.

TI objects to and rejects any additional or different terms you may have proposed.

Mailing Address: Texas Instruments, Post Office Box 655303, Dallas, Texas 75265  
Copyright © 2022, Texas Instruments Incorporated