

MUX36xxx 36V 低电容、低泄漏电流、高精度模拟多路复用器

1 特性

- 低导通电容
 - MUX36S16: 13.5pF
 - MUX36D08: 8.7pF
- 低输入泄漏: 1pA
- 低电荷注入: 0.31pC
- 轨至轨运行
- 宽电源电压范围: $\pm 5V$ 至 $\pm 18V$ 或 10V 至 36V
- 低导通电阻: 125 Ω
- 转换时间: 97ns
- 先断后合开关操作
- EN 引脚可连接至 V_{DD}
- 逻辑电平: 2V 至 V_{DD}
- 低电源电流: 45 μA
- ESD 保护 HBM: 2000V
- 业界通用的 TSSOP/SOIC 封装和更小的 WQFN 封装选项

2 应用

- 工厂自动化和工业过程控制
- 可编程逻辑控制器 (PLC)
- 模拟输入模块
- ATE 测试设备
- 数字万用表
- 电池监控系统

3 说明

MUX36S16 和 MUX36D08 (MUX36xxx) 是现代互补金属氧化物半导体 (CMOS) 模拟多路复用器 (MUX)。MUX36S16 提供 16:1 单端通道, 而 MUX36D08 提供 8:1 差分通道或双 8:1 单端通道。MUX36S16 和 MUX36D08 在由双电源 ($\pm 5V$ 至 $\pm 18V$) 或单电源 (10V 至 36V) 供电时均能正常运行。这些器件在由对称电源 (如 $V_{DD} = 12V$, $V_{SS} = -12V$) 和非对称电源 (如 $V_{DD} = 12V$, $V_{SS} = -5V$) 供电时也能保证优异性能。所有数字输入具有兼容晶体管-晶体管逻辑电路 (TTL) 的阈值。当器件在有效电源电压范围内运行时, 该阈值可保证 TTL 和 CMOS 逻辑电路的兼容性。

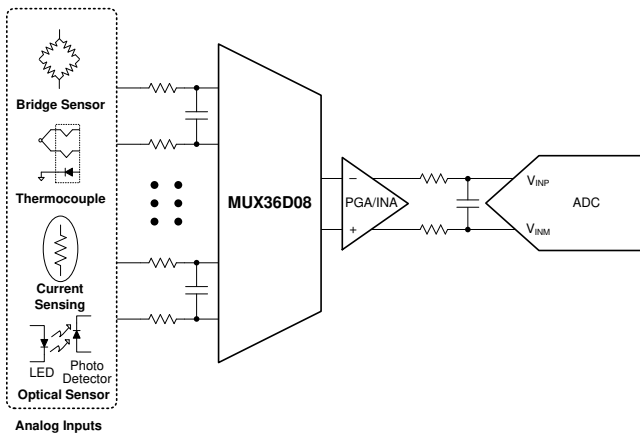
MUX36S16 和 MUX36D08 的导通和关断泄漏电流较低, 允许此类多路复用器以最小误差转换高输入阻抗源传输的信号。电源电流低至 45 μA , 支持其应用于功耗敏感型应用。

器件信息(1)

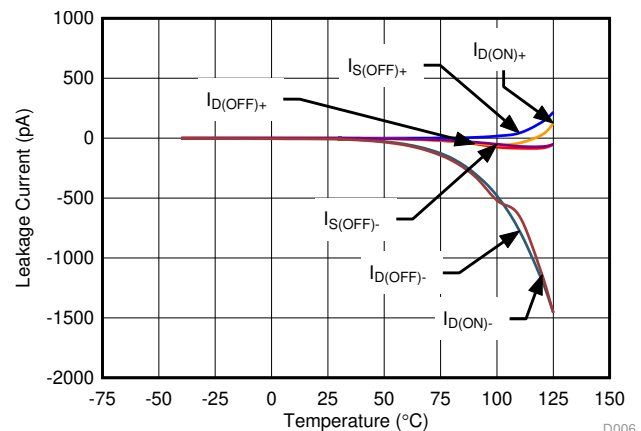
器件型号	封装	封装尺寸 (标称值)
MUX36S16 MUX36D08中添加了 WQFN 封装选项	TSSOP (28)	9.70mm x 6.40mm
	SOIC (28)	17.9mm x 7.50mm
	WQFN (RTV) (32)	5.00mm x 5.00mm
	WQFN (RSN) (32)	4.00mm x 4.00mm

(1) 如需了解所有可用封装, 请参阅数据表末尾的封装选项附录。

简化电路原理图



泄漏电流与温度间的关系



D006



目录

1 特性	1	8.3 Feature Description	26
2 应用	1	8.4 Device Functional Modes	28
3 说明	1	9 Application and Implementation	29
4 修订历史记录	2	9.1 Application Information	29
5 Pin Configuration and Functions	3	9.2 Typical Application	29
6 Specifications	7	10 Power Supply Recommendations	31
6.1 Absolute Maximum Ratings	7	11 Layout	32
6.2 ESD Ratings	7	11.1 Layout Guidelines	32
6.3 Recommended Operating Conditions	7	11.2 Layout Example	32
6.4 Thermal Information	8	12 器件和文档支持	34
6.5 Electrical Characteristics: Dual Supply	8	12.1 文档支持	34
6.6 Electrical Characteristics: Single Supply	10	12.2 相关链接	34
6.7 Typical Characteristics	12	12.3 接收文档更新通知	34
7 Parameter Measurement Information	17	12.4 社区资源	34
7.1 Truth Tables	17	12.5 商标	34
8 Detailed Description	25	12.6 静电放电警告	34
8.1 Overview	25	12.7 Glossary	34
8.2 Functional Block Diagram	25	13 机械、封装和可订购信息	34

4 修订历史记录

注：之前版本的页码可能与当前版本有所不同。

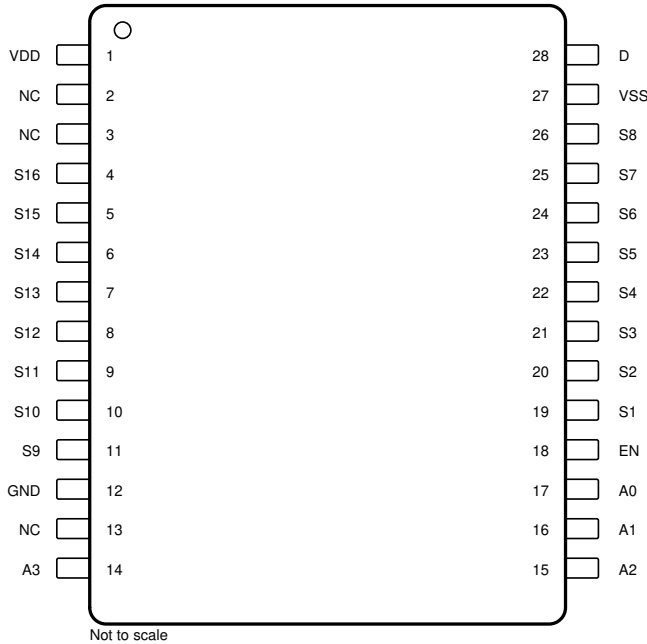
Changes from Revision B (April 2018) to Revision C	Page
• Added BW, THD+N, and C _{IN} rows to the <i>Electrical Characteristics: Dual Supply</i>	9
• Changed V _{DD} and V _{SS} supply current MAX values for ±15V supplies in <i>Electrical Characteristics: Dual Supply</i>	9
• Changed V _{DD} and V _{SS} supply current MAX values for 12V supplies in <i>Electrical Characteristics: Single Supply</i>	11

Changes from Revision A (November 2017) to Revision B	Page
• 向“特性”中添加了 WQFN 封装 选项	1
• 已添加 在器件信息	1
• Added pinout information for WQFN packages	3
• Added data for WQFN packages to <i>Thermal Information</i>	8

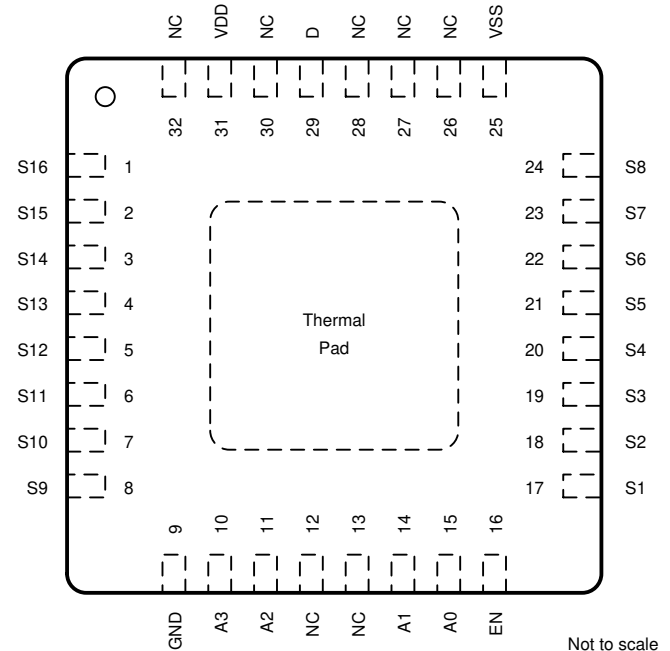
Changes from Original (November 2016) to Revision A	Page
• 已更改 将特性 列表中的转换时间从 85ns 更改为 97ns（典型值）	1
• 已添加 在特性 和器件信息 部分中添加了 SOIC 封装	1
• Added the DW (SOIC) package to the <i>Pin Configuration and Functions</i> section	3
• Added SOIC package to the <i>Thermal Information</i> table	8
• Changed Transition time Typ value From 85: ns To: 97ns for ±15 V supplies in the <i>Electrical Characteristics: Dual Supply</i> table	9
• Added additional specifications for the SOIC packages (Q _J , Off-isolation, and channel-to-channel crosstalk) for ±15 V supplies in <i>Electrical Characteristics: Dual Supply</i>	9
• Changed Transition time Typ value From: 91 To: 102 ns for 12 V supply in the <i>Electrical Characteristics: Single Supply</i> table	11
• Added additional specifications for the SOIC packages (Q _J , Off-isolation, and channel-to-channel crosstalk) for 12 V supply in <i>Electrical Characteristics: Single Supply</i>	11

5 Pin Configuration and Functions

**MUX36S16: DW and PW Package
28-Pin SOIC and TSSOP
Top View**



**MUX36S16: RTV and RSN Package
32-Pin WQFN
Top View**

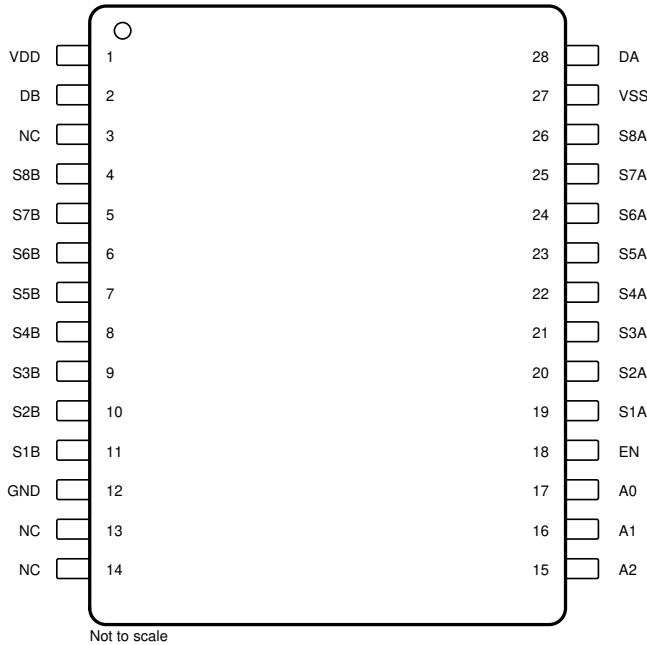
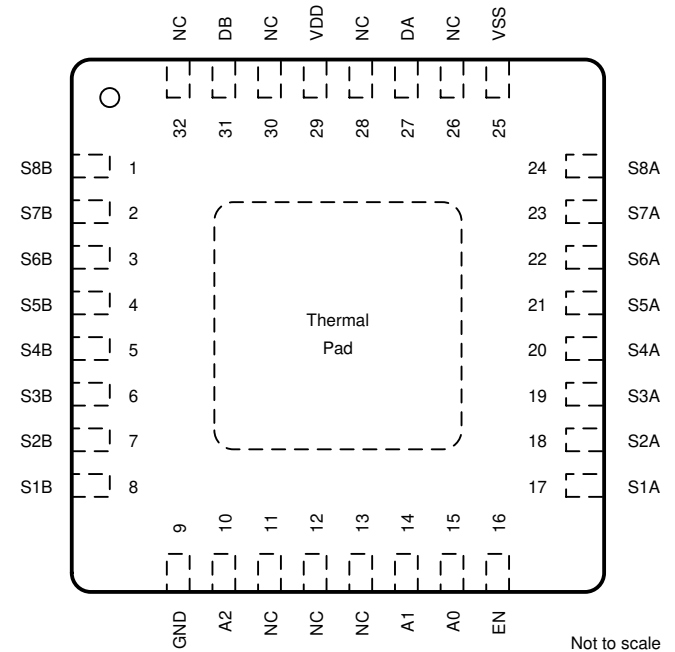


Pin Functions, MUX36S16

PIN		FUNCTION	DESCRIPTION
NAME	TSSOP/ SOIC		
A0	17	15	Digital input Address line 0
A1	16	14	Digital input Address line 1
A2	15	11	Digital input Address line 2
A3	14	10	Digital input Address line 3
D	28	29	Analog input or output Drain pin. Can be an input or output.
EN	18	16	Digital input Active high digital input. When this pin is low, all switches are turned off. When this pin is high, the A[3:0] logic inputs determine which switch is turned on.
GND	12	9	Power supply Ground (0 V) reference
NC	2, 3, 13	12, 13, 26, 27, 28, 30, 32	No connect Do not connect
S1	19	17	Analog input or output Source pin 1. Can be an input or output.
S2	20	18	Analog input or output Source pin 2. Can be an input or output.
S3	21	19	Analog input or output Source pin 3. Can be an input or output.
S4	22	20	Analog input or output Source pin 4. Can be an input or output.
S5	23	21	Analog input or output Source pin 5. Can be an input or output.
S6	24	22	Analog input or output Source pin 6. Can be an input or output.
S7	25	23	Analog input or output Source pin 7. Can be an input or output.
S8	26	24	Analog input or output Source pin 8. Can be an input or output.
S9	11	8	Analog input or output Source pin 9. Can be an input or output.
S10	10	7	Analog input or output Source pin 10. Can be an input or output.

Pin Functions, MUX36S16 (continued)

PIN			FUNCTION	DESCRIPTION
NAME	TSSOP/ SOIC	WQFN		
S11	9	6	Analog input or output	Source pin 11. Can be an input or output.
S12	8	5	Analog input or output	Source pin 12. Can be an input or output.
S13	7	4	Analog input or output	Source pin 13. Can be an input or output.
S14	6	3	Analog input or output	Source pin 14. Can be an input or output.
S15	5	2	Analog input or output	Source pin 15. Can be an input or output.
S16	4	1	Analog input or output	Source pin 16. Can be an input or output.
VDD	1	31	Power supply	Positive power supply. This pin is the most positive power-supply potential. For reliable operation, connect a decoupling capacitor ranging from 0.1 μ F to 10 μ F between V_{DD} and GND.
VSS	27	25	Power supply	Negative power supply. This pin is the most negative power-supply potential. In single-supply applications, this pin can be connected to ground. For reliable operation, connect a decoupling capacitor ranging from 0.1 μ F to 10 μ F between V_{SS} and GND.

**MUX36D08: DW and PW Package
28-Pin SOIC and TSSOP
Top View**

**MUX36D08: RTV and RSN Package
32-Pin WQFN
Top View**

Pin Functions: MUX36D08

NAME	PIN		FUNCTION	DESCRIPTION
	TSSOP/ SOIC	WQFN		
A0	17	15	Digital input	Address line 0
A1	16	14	Digital input	Address line 1
A2	15	10	Digital input	Address line 2
DA	28	27	Analog input or output	Drain pin A. Can be an input or output.
DB	2	31	Analog input or output	Drain pin B. Can be an input or output.
EN	18	16	Digital input	Active high digital input. When this pin is low, all switches are turned off. When this pin is high, the A[2:0] logic inputs determine which pair of switches is turned on.
GND	12	9	Power supply	Ground (0 V) reference
NC	3, 13, 14	11, 12, 13, 26, 28, 30, 32	No connect	Do not connect
S1A	19	17	Analog input or output	Source pin 1A. Can be an input or output.
S2A	20	18	Analog input or output	Source pin 2A. Can be an input or output.
S3A	21	19	Analog input or output	Source pin 3A. Can be an input or output.
S4A	22	20	Analog input or output	Source pin 4A. Can be an input or output.
S5A	23	21	Analog input or output	Source pin 5A. Can be an input or output.
S6A	24	22	Analog input or output	Source pin 6A. Can be an input or output.
S7A	25	23	Analog input or output	Source pin 7A. Can be an input or output.
S8A	26	24	Analog input or output	Source pin 8A. Can be an input or output.
S1B	11	8	Analog input or output	Source pin 1B. Can be an input or output.
S2B	10	7	Analog input or output	Source pin 2B. Can be an input or output.
S3B	9	6	Analog input or output	Source pin 3B. Can be an input or output.

Pin Functions: MUX36D08 (continued)

PIN			FUNCTION	DESCRIPTION
NAME	TSSOP/ SOIC	WQFN		
S4B	8	5	Analog input or output	Source pin 4B. Can be an input or output.
S5B	7	4	Analog input or output	Source pin 5B. Can be an input or output.
S6B	6	3	Analog input or output	Source pin 6B. Can be an input or output.
S7B	5	2	Analog input or output	Source pin 7B. Can be an input or output.
S8B	4	1	Analog input or output	Source pin 8B. Can be an input or output.
VDD	1	29	Power supply	Positive power supply. This pin is the most positive power supply potential. For reliable operation, connect a decoupling capacitor ranging from 0.1 μF to 10 μF between V_{DD} and GND.
VSS	27	25	Power supply	Negative power supply. This pin is the most negative power supply potential. In single-supply applications, this pin can be connected to ground. For reliable operation, connect a decoupling capacitor ranging from 0.1 μF to 10 μF between V_{SS} and GND.

6 Specifications

6.1 Absolute Maximum Ratings

over operating free-air temperature range (unless otherwise noted)⁽¹⁾

		MIN	MAX	UNIT	
Voltage	Supply	V_{DD}	-0.3	40	V
		V_{SS}	-40	0.3	
		$V_{DD} - V_{SS}$		40	
	Digital pins ⁽²⁾ : EN, A0, A1, A2, A3	$V_{SS} - 0.3$	$V_{DD} + 0.3$		
	Analog pins ⁽²⁾ : Sx, SxA, SxB, D, DA, DB	$V_{SS} - 2$	$V_{DD} + 2$		
Current ⁽³⁾		-30	30	mA	
Temperature	Operating, T_A	-55	150	°C	
	Junction, T_J		150		
	Storage, T_{stg}	-65	150		

(1) Stresses beyond those listed under *Absolute Maximum Ratings* may cause permanent damage to the device. These are stress ratings only, which do not imply functional operation of the device at these or any other conditions beyond those indicated under *Recommended Operating Conditions*. Exposure to absolute-maximum-rated conditions for extended periods may affect device reliability.

(2) Voltage limits are valid if current is limited to ± 30 mA.

(3) Only one pin at a time.

6.2 ESD Ratings

		VALUE	UNIT	
$V_{(ESD)}$	Electrostatic discharge	Human-body model (HBM), per ANSI/ESDA/JEDEC JS-001 ⁽¹⁾	2000	V
		Charged-device model (CDM), per JEDEC specification JESD22-C101 ⁽²⁾	500	

(1) JEDEC document JEP155 states that 500-V HBM allows safe manufacturing with a standard ESD control process.

(2) JEDEC document JEP157 states that 250-V CDM allows safe manufacturing with a standard ESD control process.

6.3 Recommended Operating Conditions

		MIN	NOM	MAX	UNIT
V_{DD} ⁽¹⁾	Positive power-supply voltage	Dual supply	5	18	V
		Single supply	10	36	
V_{SS} ⁽²⁾	Negative power-supply voltage (dual supply)	-5		-18	V
$V_{DD} - V_{SS}$	Supply voltage	10		36	V
V_S	Source pins voltage ⁽³⁾	V_{SS}		V_{DD}	V
V_D	Drain pins voltage	V_{SS}		V_{DD}	V
V_{EN}	Enable pin voltage	V_{SS}		V_{DD}	V
V_A	Address pins voltage	V_{SS}		V_{DD}	V
I_{CH}	Channel current ($T_A = 25^\circ\text{C}$)	-25		25	mA
T_A	Operating temperature	-40		125	°C

(1) When $V_{SS} = 0$ V, V_{DD} can range from 10 V to 36 V.

(2) V_{DD} and V_{SS} can be any value as long as $10\text{ V} \leq (V_{DD} - V_{SS}) \leq 36\text{ V}$.

(3) V_S is the voltage on all the S pins.

6.4 Thermal Information

THERMAL METRIC ⁽¹⁾		MUX36S16/ MUX36D08				UNIT
		PW (TSSOP)	DW (SOIC)	RTV (WQFN)	RSN (WQFN)	
		28 PINS	28 PINS	32 PINS	32 PINS	
R _{θJA}	Junction-to-ambient thermal resistance	79.8	53.6	33.0	33.7	°C/W
R _{θJC(top)}	Junction-to-case (top) thermal resistance	24.0	30.1	20.8	26.5	°C/W
R _{θJB}	Junction-to-board thermal resistance	37.6	28.5	13.9	13.4	°C/W
Ψ _{JT}	Junction-to-top characterization parameter	1.2	9.0	0.3	0.3	°C/W
Ψ _{JB}	Junction-to-board characterization parameter	37.1	28.4	13.8	13.4	°C/W
R _{θJC(bot)}	Junction-to-case (bottom) thermal resistance	N/A	N/A	4.1	4.1	°C/W

(1) For more information about traditional and new thermal metrics, see the [Semiconductor and IC Package Thermal Metrics](#) application report.

6.5 Electrical Characteristics: Dual Supply

at T_A = 25°C, V_{DD} = 15 V, and V_{SS} = -15 V (unless otherwise noted)

PARAMETER		TEST CONDITIONS		MIN	TYP	MAX	UNIT
ANALOG SWITCH							
Analog signal range		T _A = -40°C to +125°C		V _{SS}		V _{DD}	V
R _{ON}	On-resistance	V _S = 0 V, I _S = -1 mA			125	170	Ω
		V _S = ±10 V, I _S = -1 mA	T _A = -40°C to +85°C		145	200	
			T _A = -40°C to +125°C			230	
						250	
ΔR _{ON}	On-resistance mismatch between channels	V _S = ±10 V, I _S = -1 mA			6	9	Ω
		T _A = -40°C to +85°C			14		
		T _A = -40°C to +125°C			16		
R _{FLAT}	On-resistance flatness	V _S = 10 V, 0 V, -10 V			20	45	Ω
		T _A = -40°C to +85°C			53		
		T _A = -40°C to +125°C			58		
On-resistance drift		V _S = 0 V			0.62		Ω/°C
I _{S(OFF)}	Input leakage current	Switch state is off, V _S = ±10 V, V _D = ±10 V ⁽¹⁾		-0.04	0.001	0.04	nA
		T _A = -40°C to +85°C		-0.15	0.15		
		T _A = -40°C to +125°C		-1.2	1.2		
I _{D(OFF)}	Output off-leakage current	Switch state is off, V _S = ±10 V, V _D = ±10 V ⁽¹⁾		-0.15	0.01	0.15	nA
		T _A = -40°C to +85°C		-1	1		
		T _A = -40°C to +125°C		-4.5	4.5		
I _{D(ON)}	Output on-leakage current	Switch state is on, V _D = ±10 V, V _S = floating		-0.2	0.01	0.2	nA
		T _A = -40°C to +85°C		-1	1		
		T _A = -40°C to +125°C		-5.3	5.3		
I _{DL(ON)}	Differential on-leakage current	Switch state is on, V _{DA} = V _{DB} = ±10 V, V _S = floating		-15	3	15	pA
		T _A = -40°C to +85°C		-100	100		
		T _A = -40°C to +125°C		-500	500		
LOGIC INPUT							
V _{IH}	Logic voltage high			2			V
V _{IL}	Logic voltage low					0.8	V
I _D	Input current					0.1	μA

(1) When V_S is positive, V_D is negative, and vice versa.

Electrical Characteristics: Dual Supply (continued)

at $T_A = 25^\circ\text{C}$, $V_{DD} = 15\text{ V}$, and $V_{SS} = -15\text{ V}$ (unless otherwise noted)

PARAMETER		TEST CONDITIONS		MIN	TYP	MAX	UNIT
SWITCH DYNAMICS⁽²⁾							
t_{ON}	Enable turn-on time	$V_S = \pm 10\text{ V}$, $R_L = 300\ \Omega$, $C_L = 35\text{ pF}$	$T_A = -40^\circ\text{C to } +85^\circ\text{C}$		82	136	ns
			$T_A = -40^\circ\text{C to } +125^\circ\text{C}$			145	
						151	
t_{OFF}	Enable turn-off time	$V_S = \pm 10\text{ V}$, $R_L = 300\ \Omega$, $C_L = 35\text{ pF}$	$T_A = -40^\circ\text{C to } +85^\circ\text{C}$		63	78	ns
			$T_A = -40^\circ\text{C to } +125^\circ\text{C}$			89	
						97	
t_t	Transition time	$V_S = 10\text{ V}$, $R_L = 300\ \Omega$, $C_L = 35\text{ pF}$,	$T_A = -40^\circ\text{C to } +85^\circ\text{C}$		97	143	ns
			$T_A = -40^\circ\text{C to } +125^\circ\text{C}$			151	
						157	
t_{BBM}	Break-before-make time delay	$V_S = 10\text{ V}$, $R_L = 300\ \Omega$, $C_L = 35\text{ pF}$, $T_A = -40^\circ\text{C to } +125^\circ\text{C}$		30	54		ns
Q_J	Charge injection	$C_L = 1\text{ nF}$, $R_S = 0\ \Omega$	$V_S = 0\text{ V}$	TSSOP package		0.31	pC
				SOIC package		0.67	
			$V_S = -15\text{ V to } +15\text{ V}$	TSSOP package		± 0.9	
				SOIC package		± 1.1	
Off-isolation	Nonadjacent channel to D, DA, DB	$R_L = 50\ \Omega$, $V_S = 1\text{ V}_{RMS}$, $f = 1\text{ MHz}$	Nonadjacent channel to D, DA, DB	TSSOP package		-98	dB
				SOIC package		-94	
			Adjacent channel to D, DA, DB	TSSOP package		-94	
				SOIC package		-88	
Channel-to-channel crosstalk	Nonadjacent channels	$R_L = 50\ \Omega$, $V_S = 1\text{ V}_{RMS}$, $f = 1\text{ MHz}$	Nonadjacent channels	TSSOP package		-100	dB
				SOIC package		-96	
			Adjacent channels	TSSOP package		-88	
				SOIC package		-83	
BW	-3dB Bandwidth	$V_S = 1\text{ V}_{RMS}$, $R_L = 50\ \Omega$, $C_L = 5\text{ pF}$	MUX36S16		260	dB	
			MUX36D08		430		
THD + N	Total harmonic distortion plus noise	$V_S = 0\text{ V or } V_{DD}$, $R_L = 600\ \Omega$, $C_L = 50\text{ pF}$, $f = 20\text{ Hz to } 20\text{ kHz}$			0.09%		
C_{IN}	Digital input capacitance	$V_{IN} = 0\text{ V or } V_{DD}$			1.1		pF
$C_{S(OFF)}$	Input off-capacitance	$f = 1\text{ MHz}$, $V_S = 0\text{ V}$			2.1	3	pF
$C_{D(OFF)}$	Output off-capacitance	$f = 1\text{ MHz}$, $V_S = 0\text{ V}$	MUX36S16		11.1	12.2	pF
			MUX36D08		6.4	7.5	
$C_{S(ON)}$, $C_{D(ON)}$	Output on-capacitance	$f = 1\text{ MHz}$, $V_S = 0\text{ V}$	MUX36S16		13.5	15	pF
			MUX36D08		8.7	10.2	
POWER SUPPLY							
V_{DD} supply current	All $V_A = 0\text{ V or } 3.3\text{ V}$, $V_S = 0\text{ V}$, $V_{EN} = 3.3\text{ V}$,		$T_A = -40^\circ\text{C to } +85^\circ\text{C}$		45	59	μA
			$T_A = -40^\circ\text{C to } +125^\circ\text{C}$			62	
						69	
V_{SS} supply current	All $V_A = 0\text{ V or } 3.3\text{ V}$, $V_S = 0\text{ V}$, $V_{EN} = 3.3\text{ V}$,		$T_A = -40^\circ\text{C to } +85^\circ\text{C}$		26	33	μA
			$T_A = -40^\circ\text{C to } +125^\circ\text{C}$			36	
						43	

(2) Specified by design; not subject to production testing.

6.6 Electrical Characteristics: Single Supply

 at $T_A = 25^\circ\text{C}$, $V_{DD} = 12\text{ V}$, and $V_{SS} = 0\text{ V}$ (unless otherwise noted)

PARAMETER		TEST CONDITIONS		MIN	TYP	MAX	UNIT	
ANALOG SWITCH								
Analog signal range		$T_A = -40^\circ\text{C}$ to $+125^\circ\text{C}$		V_{SS}		V_{DD}	V	
R_{ON}	On-resistance	$V_S = 10\text{ V}$, $I_S = -1\text{ mA}$		235	340		Ω	
			$T_A = -40^\circ\text{C}$ to $+85^\circ\text{C}$			390		
			$T_A = -40^\circ\text{C}$ to $+125^\circ\text{C}$			430		
ΔR_{ON}	On-resistance match	$V_S = 10\text{ V}$, $I_S = -1\text{ mA}$		7	20		Ω	
			$T_A = -40^\circ\text{C}$ to $+85^\circ\text{C}$			35		
			$T_A = -40^\circ\text{C}$ to $+125^\circ\text{C}$			40		
On-resistance drift		$V_S = 10\text{ V}$			1.07		$\Omega/^\circ\text{C}$	
$I_{S(OFF)}$	Input leakage current	Switch state is off, $V_S = 1\text{ V}$ and $V_D = 10\text{ V}$, or $V_S = 10\text{ V}$ and $V_D = 1\text{ V}$ ⁽¹⁾		-0.04	0.001	0.04	nA	
			$T_A = -40^\circ\text{C}$ to $+85^\circ\text{C}$					0.15
			$T_A = -40^\circ\text{C}$ to $+125^\circ\text{C}$			-1.2		1.2
$I_{D(OFF)}$	Output off leakage current	Switch state is off, $V_S = 1\text{ V}$ and $V_D = 10\text{ V}$, or $V_S = 10\text{ V}$ and $V_D = 1\text{ V}$ ⁽¹⁾		-0.15	0.01	0.15	nA	
			$T_A = -40^\circ\text{C}$ to $+85^\circ\text{C}$					0.75
			$T_A = -40^\circ\text{C}$ to $+125^\circ\text{C}$			-2.4		2.4
$I_{D(ON)}$	Output on leakage current	Switch state is on, $V_D = 1\text{ V}$ and 10 V , $V_S =$ floating		-0.15	0.01	0.15	nA	
			$T_A = -40^\circ\text{C}$ to $+85^\circ\text{C}$					0.75
			$T_A = -40^\circ\text{C}$ to $+125^\circ\text{C}$			-2.5		2.5
$I_{DL(ON)}$	Differential on-leakage current	Switch state is on, $V_{DA} = V_{DB} = 1\text{ V}$ and 10 V , $V_S =$ floating		-15	3	15	pA	
			$T_A = -40^\circ\text{C}$ to $+85^\circ\text{C}$					100
			$T_A = -40^\circ\text{C}$ to $+125^\circ\text{C}$			-500		500
LOGIC INPUT								
V_{IH}	Logic voltage high			2.0			V	
V_{IL}	Logic voltage low					0.8	V	
I_D	Input current					0.1	μA	

 (1) When V_S is 1 V, V_D is 10 V, and vice versa.

Electrical Characteristics: Single Supply (continued)

at $T_A = 25^\circ\text{C}$, $V_{DD} = 12\text{ V}$, and $V_{SS} = 0\text{ V}$ (unless otherwise noted)

PARAMETER		TEST CONDITIONS		MIN	TYP	MAX	UNIT
SWITCH DYNAMIC CHARACTERISTICS⁽²⁾							
t_{ON}	Enable turn-on time	$V_S = 8\text{ V}$, $R_L = 300\ \Omega$, $C_L = 35\text{ pF}$			90	145	ns
			$T_A = -40^\circ\text{C}$ to $+85^\circ\text{C}$			145	
			$T_A = -40^\circ\text{C}$ to $+125^\circ\text{C}$			149	
t_{OFF}	Enable turn-off time	$V_S = 8\text{ V}$, $R_L = 300\ \Omega$, $C_L = 35\text{ pF}$			66	84	ns
			$T_A = -40^\circ\text{C}$ to $+85^\circ\text{C}$			94	
			$T_A = -40^\circ\text{C}$ to $+125^\circ\text{C}$			102	
t_t	Transition time	$V_S = 8\text{ V}$, $C_L = 35\text{ pF}$			107	147	ns
		$V_S = 8\text{ V}$, $R_L = 300\ \Omega$, $C_L = 35\text{ pF}$,	$T_A = -40^\circ\text{C}$ to $+85^\circ\text{C}$			153	
		$V_S = 8\text{ V}$, $R_L = 300\ \Omega$, $C_L = 35\text{ pF}$,	$T_A = -40^\circ\text{C}$ to $+125^\circ\text{C}$			155	
t_{BBM}	Break-before-make time delay	$V_S = 8\text{ V}$, $R_L = 300\ \Omega$, $C_L = 35\text{ pF}$, $T_A = -40^\circ\text{C}$ to $+125^\circ\text{C}$		30	54		ns
Q_J	Charge injection	$C_L = 1\text{ nF}$, $R_S = 0\ \Omega$	$V_S = 6\text{ V}$	TSSOP package	0.12		pC
				SOIC package	0.38		
			$V_S = 0\text{ V}$ to 12 V	TSSOP	± 0.17		
				SOIC package	± 0.48		
Off-isolation	$R_L = 50\ \Omega$, $V_S = 1\text{ V}_{RMS}$, $f = 1\text{ MHz}$	Nonadjacent channel to D, DA, DB	TSSOP package	-97		dB	
			SOIC package	-94			
		Adjacent channel to D, DA, DB	TSSOP package	-94			
			SOIC package	-88			
Channel-to-channel crosstalk	$R_L = 50\ \Omega$, $V_S = 1\text{ V}_{RMS}$, $f = 1\text{ MHz}$	Nonadjacent channels	TSSOP package	-100		dB	
			SOIC package	-99			
		Adjacent channels	TSSOP	-88			
			SOIC package	-83			
$C_{S(OFF)}$	Input off-capacitance	$f = 1\text{ MHz}$, $V_S = 6\text{ V}$			2.4	3.4	pF
$C_{D(OFF)}$	Output off-capacitance	$f = 1\text{ MHz}$, $V_S = 6\text{ V}$	MUX36S16		14	15.4	pF
			MUX36D08		7.8	9.1	
$C_{S(ON)}$, $C_{D(ON)}$	Output on-capacitance	$f = 1\text{ MHz}$, $V_S = 6\text{ V}$	MUX36S16		16.2	18	pF
			MUX36D08		9.9	11.6	
POWER SUPPLY							
V_{DD} supply current	All $V_A = 0\text{ V}$ or 3.3 V , $V_S = 0\text{ V}$, $V_{EN} = 3.3\text{ V}$				41	59	μA
		$T_A = -40^\circ\text{C}$ to $+85^\circ\text{C}$				56	
		$T_A = -40^\circ\text{C}$ to $+125^\circ\text{C}$				62	
V_{SS} supply current	All $V_A = 0\text{ V}$ or 3.3 V , $V_S = 0\text{ V}$, $V_{EN} = 3.3\text{ V}$				22	29	μA
		$T_A = -40^\circ\text{C}$ to $+85^\circ\text{C}$				31	
		$T_A = -40^\circ\text{C}$ to $+125^\circ\text{C}$				37	

(2) Specified by design, not subject to production test.

6.7 Typical Characteristics

at $T_A = 25^\circ\text{C}$, $V_{DD} = 15\text{ V}$, and $V_{SS} = -15\text{ V}$ (unless otherwise noted)

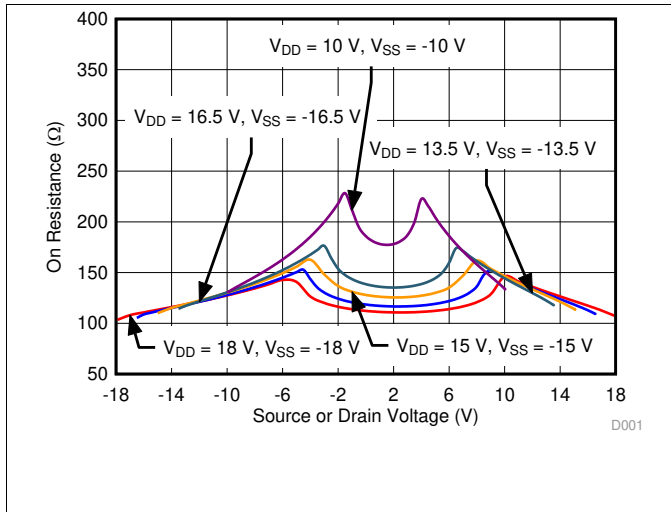


图 1. On-Resistance vs Source or Drain Voltage

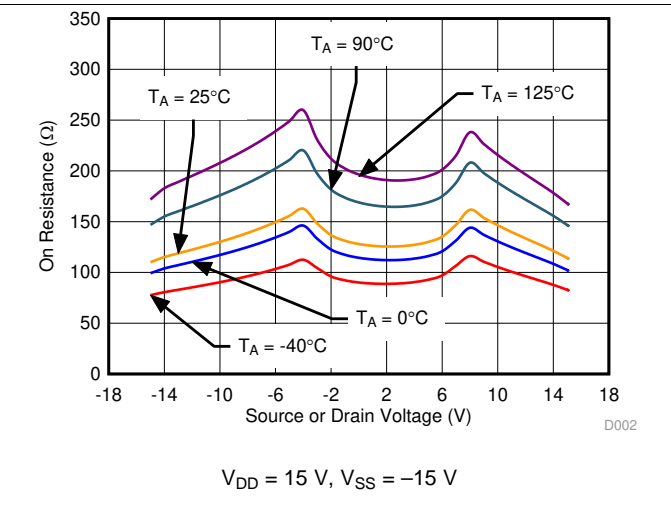


图 2. On-Resistance vs Source or Drain Voltage

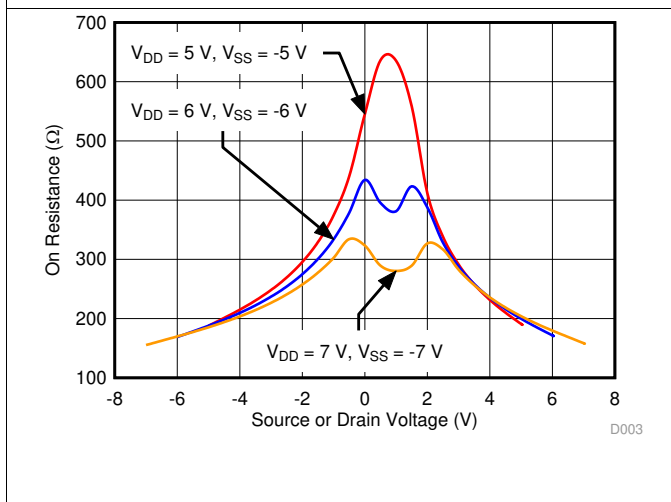


图 3. On-Resistance vs Source or Drain Voltage

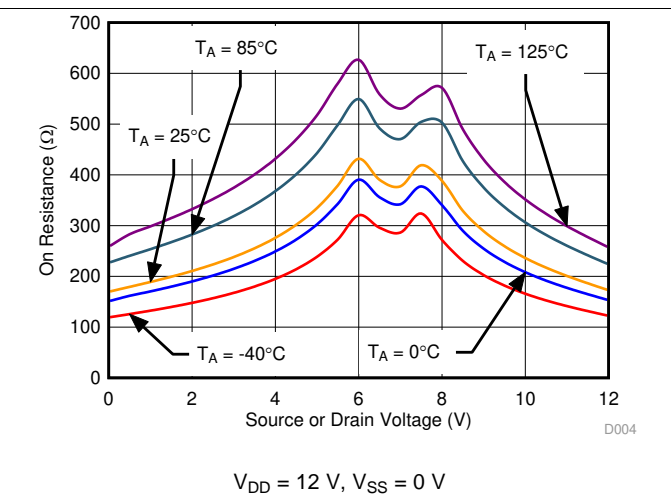


图 4. On-Resistance vs Source or Drain Voltage

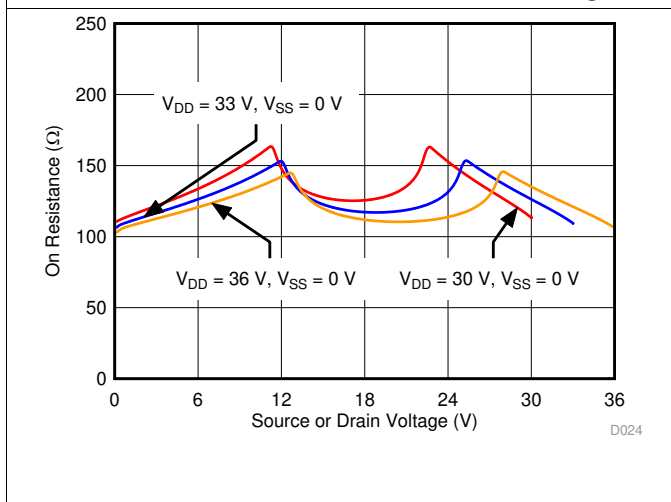


图 5. On-Resistance vs Source or Drain Voltage

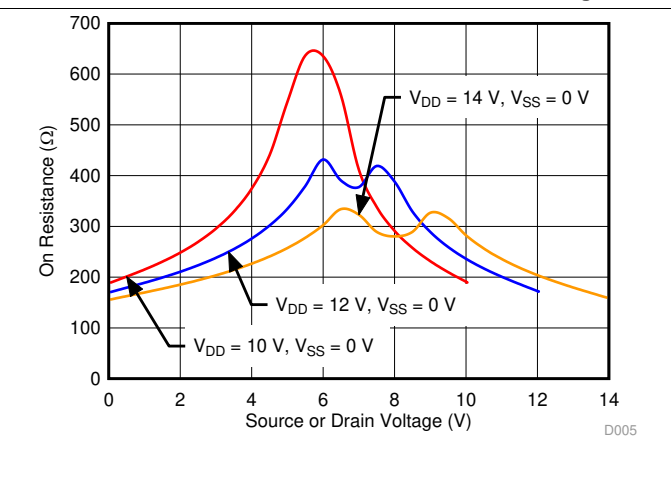
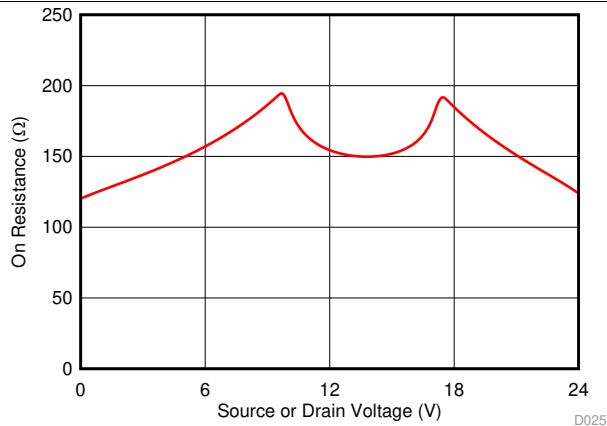


图 6. On-Resistance vs Source or Drain Voltage

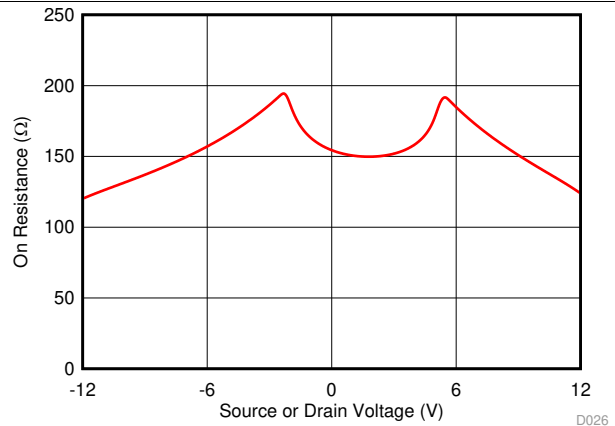
Typical Characteristics (接下页)

at $T_A = 25^\circ\text{C}$, $V_{DD} = 15\text{ V}$, and $V_{SS} = -15\text{ V}$ (unless otherwise noted)



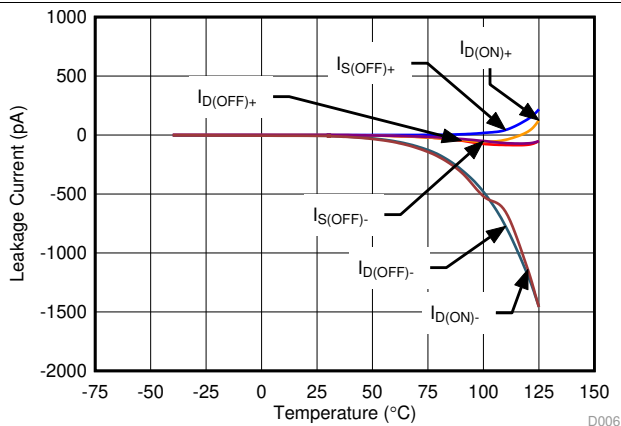
$V_{DD} = 24\text{ V}$, $V_{SS} = 0\text{ V}$

图 7. On-Resistance vs Source or Drain Voltage



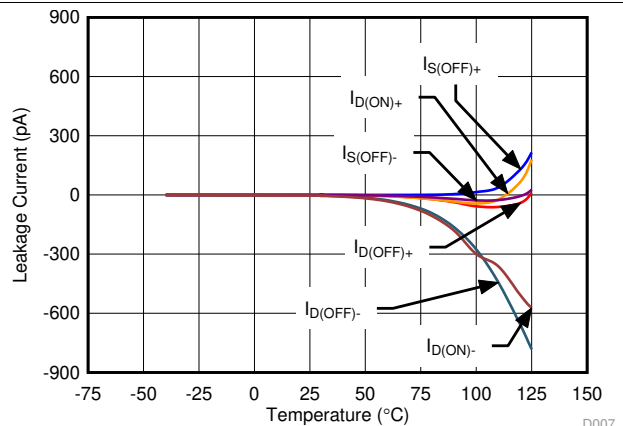
$V_{DD} = 12\text{ V}$, $V_{SS} = -12\text{ V}$

图 8. On-Resistance vs Source or Drain Voltage



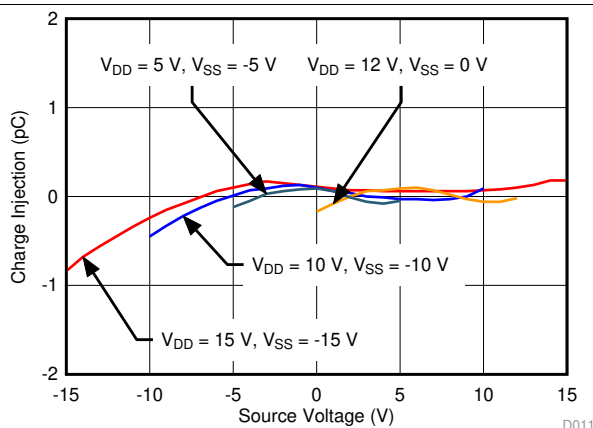
$V_{DD} = 15\text{ V}$, $V_{SS} = -15\text{ V}$

图 9. Leakage Current vs Temperature



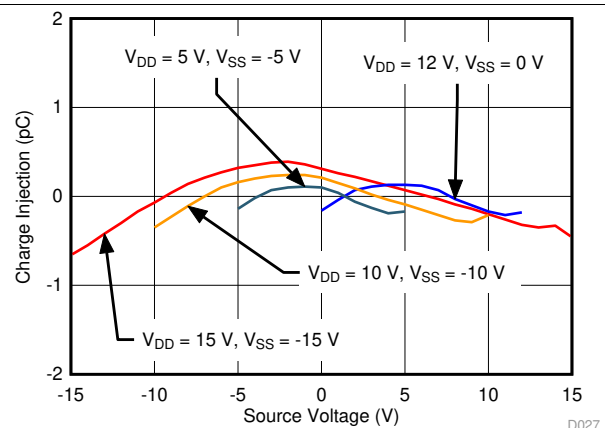
$V_{DD} = 12\text{ V}$, $V_{SS} = 0\text{ V}$

图 10. Leakage Current vs Temperature



MUX36S16, source-to-drain

图 11. Charge Injection vs Source Voltage

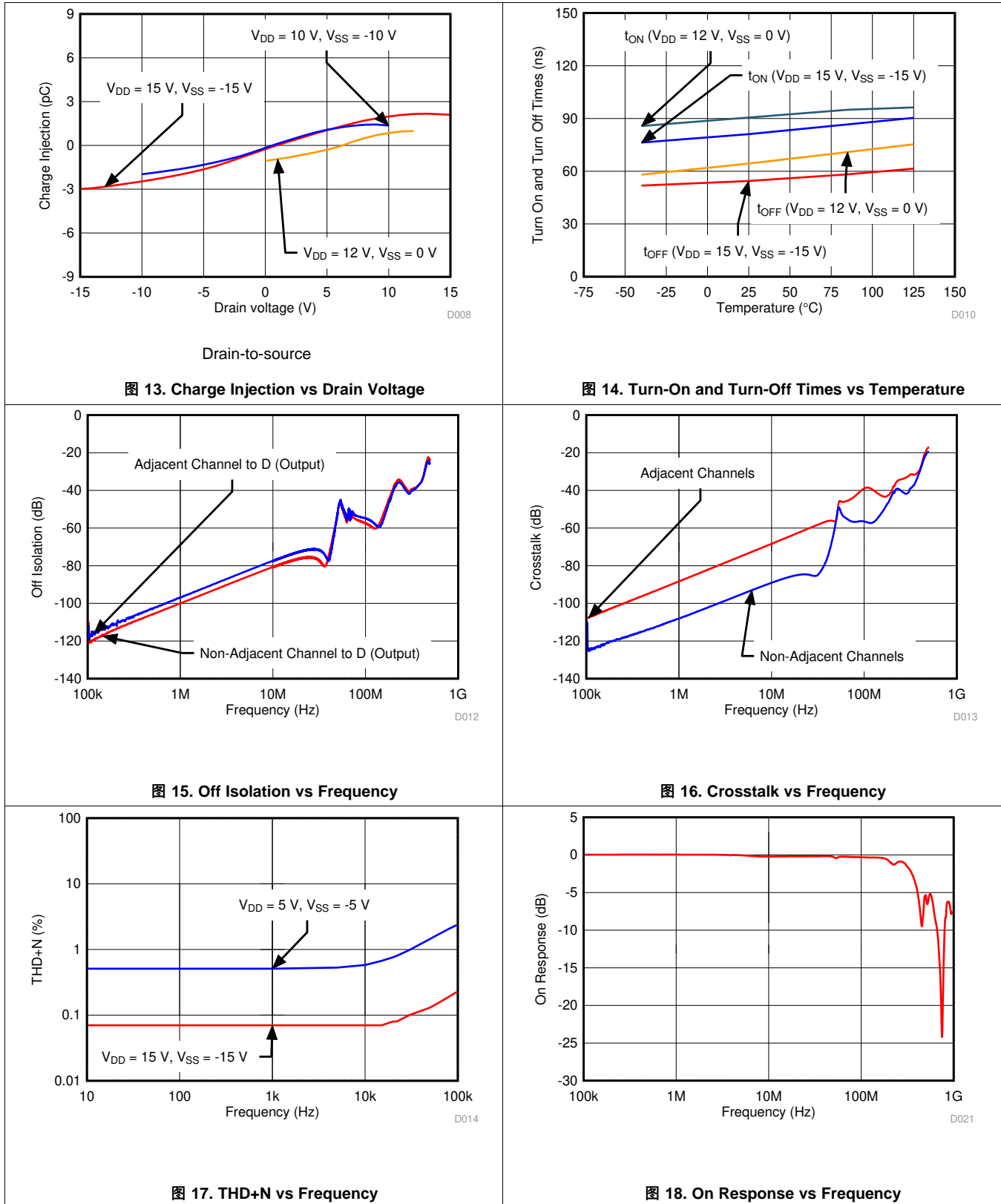


MUX36D08, source-to-drain

图 12. Charge Injection vs Source Voltage

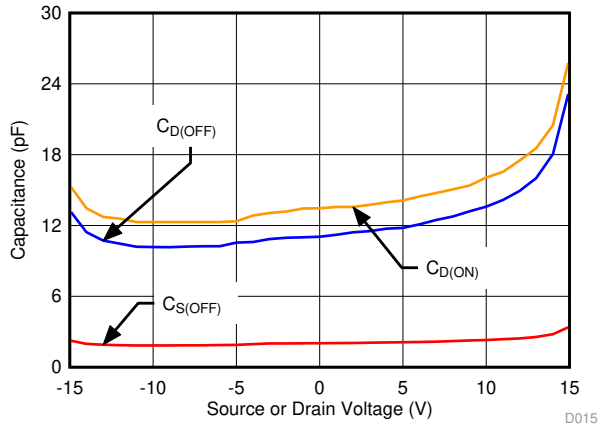
Typical Characteristics (接下页)

at $T_A = 25^\circ\text{C}$, $V_{DD} = 15\text{ V}$, and $V_{SS} = -15\text{ V}$ (unless otherwise noted)



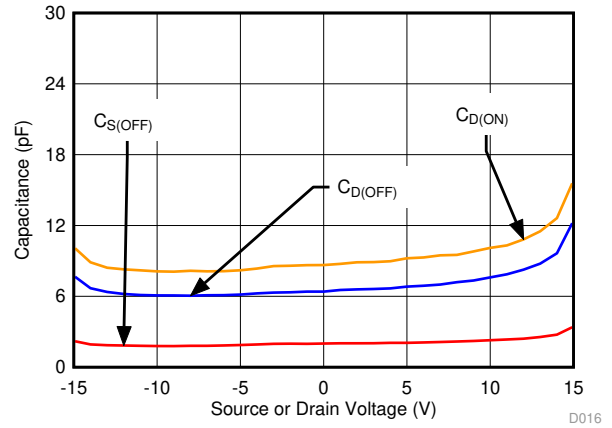
Typical Characteristics (接下页)

at $T_A = 25^\circ\text{C}$, $V_{DD} = 15\text{ V}$, and $V_{SS} = -15\text{ V}$ (unless otherwise noted)



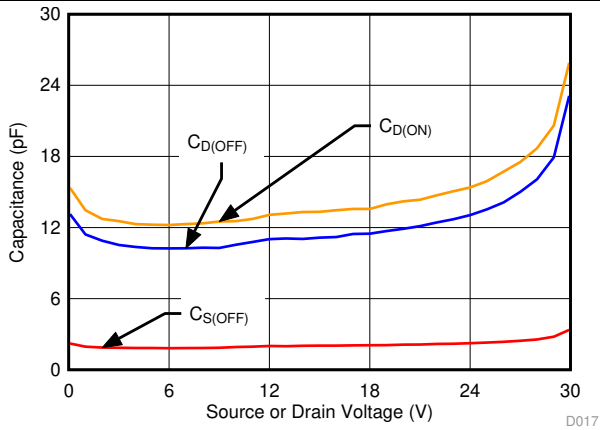
MUX36S16, $V_{DD} = 15\text{ V}$, $V_{SS} = -15\text{ V}$

图 19. Capacitance vs Source Voltage



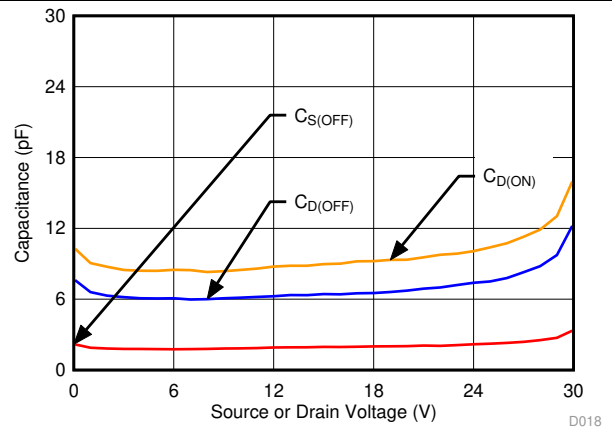
MUX36D08, $V_{DD} = 15\text{ V}$, $V_{SS} = -15\text{ V}$

图 20. Capacitance vs Source Voltage



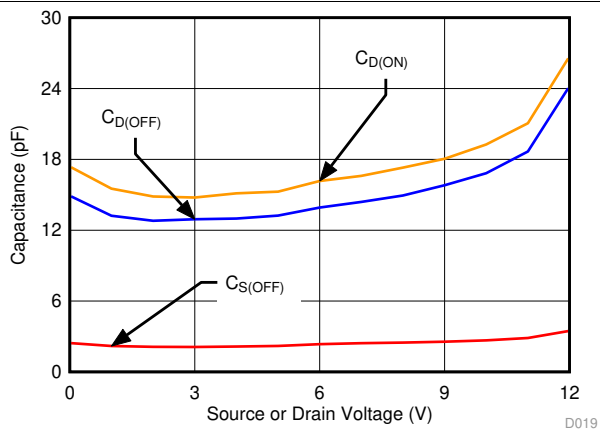
MUX36S16, $V_{DD} = 30\text{ V}$, $V_{SS} = 0\text{ V}$

图 21. Capacitance vs Source Voltage



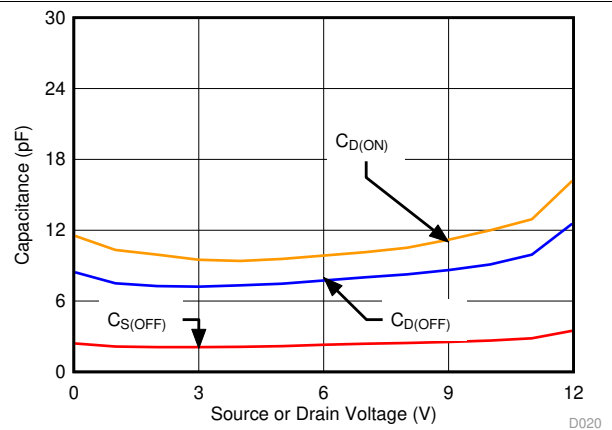
MUX36D08, $V_{DD} = 30\text{ V}$, $V_{SS} = 0\text{ V}$

图 22. Capacitance vs Source Voltage



MUX36S16, $V_{DD} = 12\text{ V}$, $V_{SS} = 0\text{ V}$

图 23. Capacitance vs Source Voltage



MUX36D08, $V_{DD} = 12\text{ V}$, $V_{SS} = 0\text{ V}$

图 24. Capacitance vs Source Voltage

Typical Characteristics (接下页)

at $T_A = 25^\circ\text{C}$, $V_{DD} = 15\text{ V}$, and $V_{SS} = -15\text{ V}$ (unless otherwise noted)

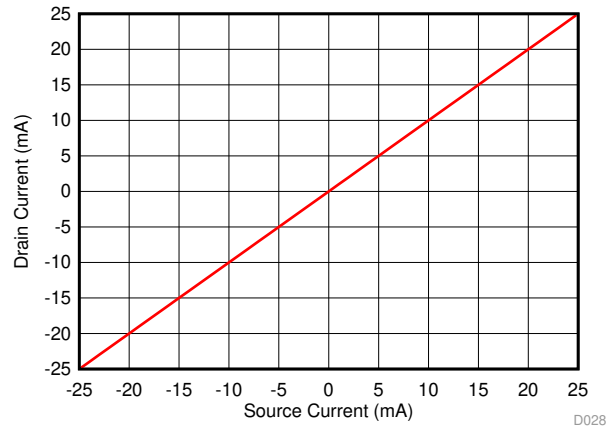


图 25. Source Current vs Drain Current

7 Parameter Measurement Information

7.1 Truth Tables

表 1. MUX36S16

EN	A3	A2	A1	A0	ON-CHANNEL
0	X ⁽¹⁾	X ⁽¹⁾	X ⁽¹⁾	X ⁽¹⁾	All channels are off
1	0	0	0	0	Channel 1
1	0	0	0	1	Channel 2
1	0	0	1	0	Channel 3
1	0	0	1	1	Channel 4
1	0	1	0	0	Channel 5
1	0	1	0	1	Channel 6
1	0	1	1	0	Channel 7
1	0	1	1	1	Channel 8
1	1	0	0	0	Channel 9
1	1	0	0	1	Channel 10
1	1	0	1	0	Channel 11
1	1	0	1	1	Channel 12
1	1	1	0	0	Channel 13
1	1	1	0	1	Channel 14
1	1	1	1	0	Channel 15
1	1	1	1	1	Channel 16

(1) X denotes *don't care*.

表 2. MUX36D08

EN	A2	A1	A0	ON-CHANNEL
0	X ⁽¹⁾	X ⁽¹⁾	X ⁽¹⁾	All channels are off
1	0	0	0	Channels 1A and 1B
1	0	0	1	Channels 2A and 2B
1	0	1	0	Channels 3A and 3B
1	0	1	1	Channels 4A and 4B
1	1	0	0	Channels 5A and 5B
1	1	0	1	Channels 6A and 6B
1	1	1	0	Channels 7A and 7B
1	1	1	1	Channels 8A and 8B

(1) X denotes *don't care*.

7.1.1 On-Resistance

The on-resistance of the MUX36xxx is the ohmic resistance across the source (Sx, SxA, or SxB) and drain (D, DA, or DB) pins of the device. The on-resistance varies with input voltage and supply voltage. The symbol R_{ON} is used to denote on-resistance. The measurement setup used to measure R_{ON} is shown in 图 26. Voltage (V) and current (I_{CH}) are measured using this setup, and R_{ON} is computed as shown in 公式 1:

$$R_{ON} = V / I_{CH} \tag{1}$$

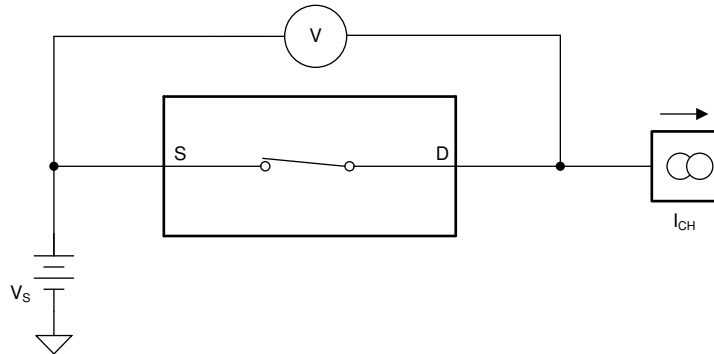


图 26. On-Resistance Measurement Setup

7.1.2 Off Leakage

There are two types of leakage currents associated with a switch during the OFF state:

1. Source off-leakage current
2. Drain off-leakage current

Source leakage current is defined as the leakage current flowing into or out of the source pin when the switch is off. This current is denoted by the symbol $I_{S(OFF)}$.

Drain leakage current is defined as the leakage current flowing into or out of the drain pin when the switch is off. This current is denoted by the symbol $I_{D(OFF)}$.

The setup used to measure both off-leakage currents is shown in 图 27

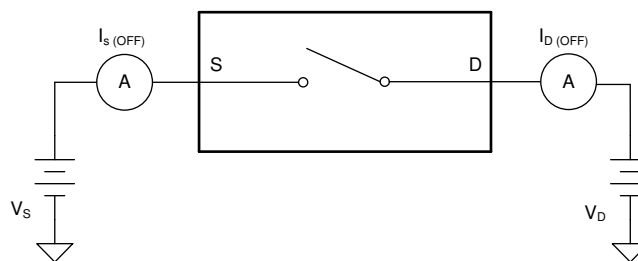


图 27. Off-Leakage Measurement Setup

7.1.3 On-Leakage Current

On-leakage current is defined as the leakage current that flows into or out of the drain pin when the switch is in the ON state. The source pin is left floating during the measurement. Figure 28 shows the circuit used for measuring the on-leakage current, denoted by $I_{D(ON)}$.

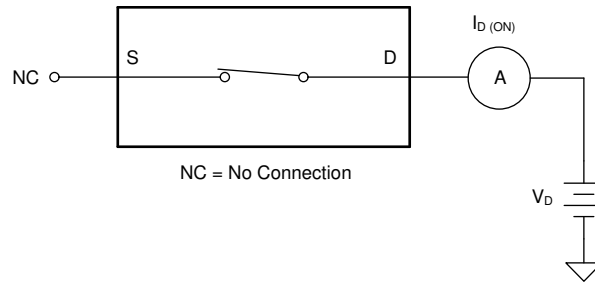


图 28. On-Leakage Measurement Setup

7.1.4 Differential On-Leakage Current

In case of a differential signal, the on-leakage current is defined as the differential leakage current that flows into, or out of, the drain pins when the switches are in the ON state. The source pins are left floating during the measurement. Figure 29 shows the circuit used for measuring the on-leakage current on each signal path, denoted by $I_{DA(ON)}$ and $I_{DB(ON)}$. The absolute difference between these two currents is defined as the differential on-leakage current, denoted by $I_{DL(ON)}$.

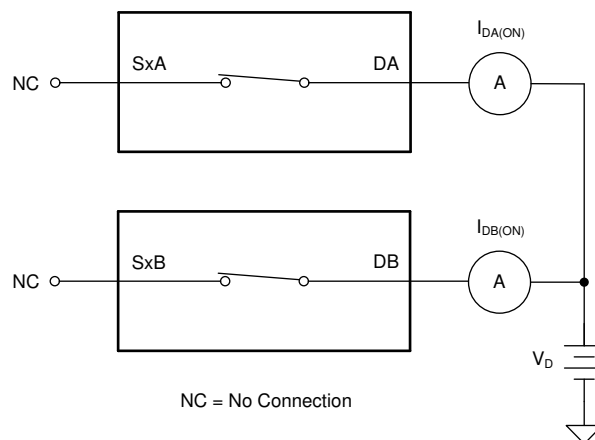


图 29. Differential On-Leakage Measurement Setup

7.1.5 Transition Time

Transition time is defined as the time taken by the output of the MUX36xxx to rise or fall to 90% of the transition after the digital address signal has fallen or risen to 50% of the transition. 图 30 shows the setup used to measure transition time, denoted by the symbol t_t .

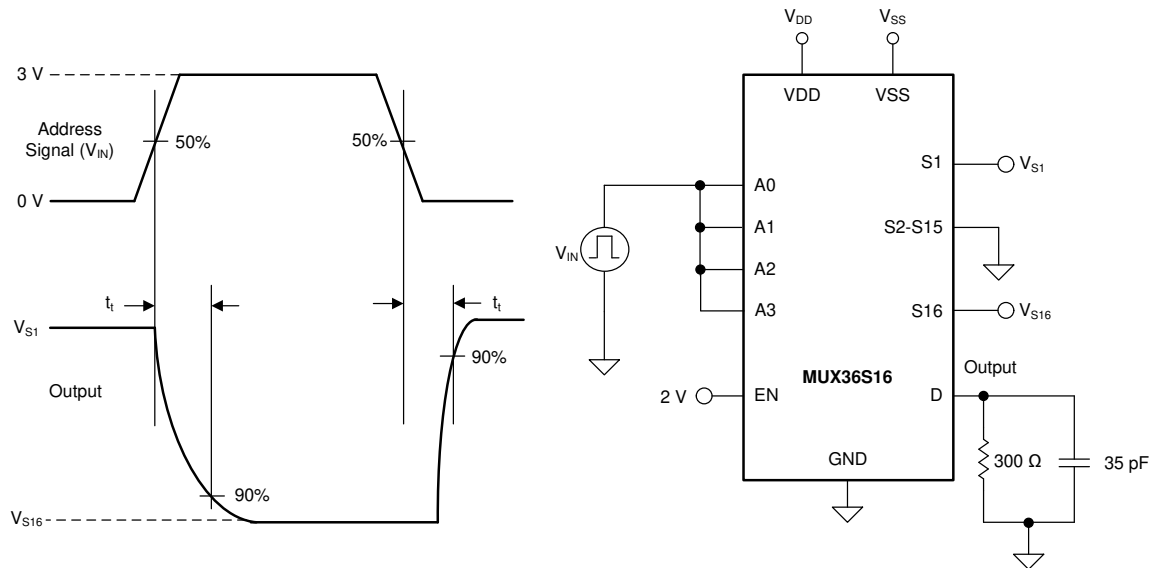


图 30. Transition-Time Measurement Setup

7.1.6 Break-Before-Make Delay

Break-before-make delay is a safety feature that prevents two inputs from connecting when the MUX36xxx is switching. The MUX36xxx output first breaks from the ON-state switch before making the connection with the next ON-state switch. The time delay between the *break* and the *make* is known as break-before-make delay. 图 31 shows the setup used to measure break-before-make delay, denoted by the symbol t_{BBM} .

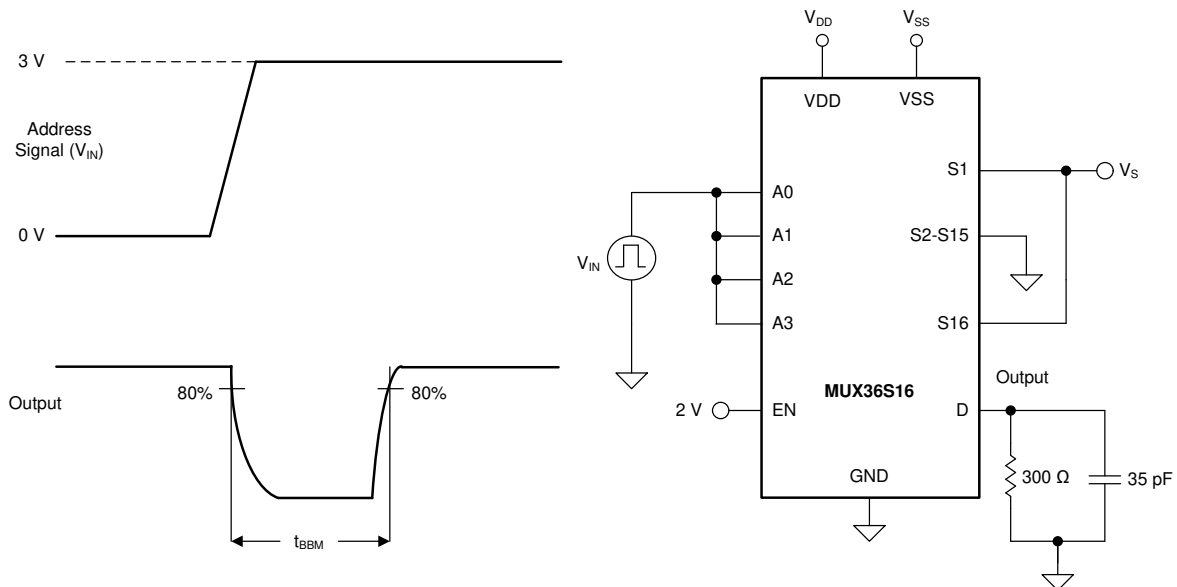


图 31. Break-Before-Make Delay Measurement Setup

7.1.7 Turn-On and Turn-Off Time

Turn-on time is defined as the time taken by the output of the MUX36xxx to rise to 90% final value after the enable signal has risen to 50% final value. 图 32 shows the setup used to measure turn-on time. Turn-on time is denoted by the symbol t_{ON} .

Turn off time is defined as the time taken by the output of the MUX36xxx to fall to 10% initial value after the enable signal has fallen to 50% initial value. 图 32 shows the setup used to measure turn-off time. Turn-off time is denoted by the symbol t_{OFF} .

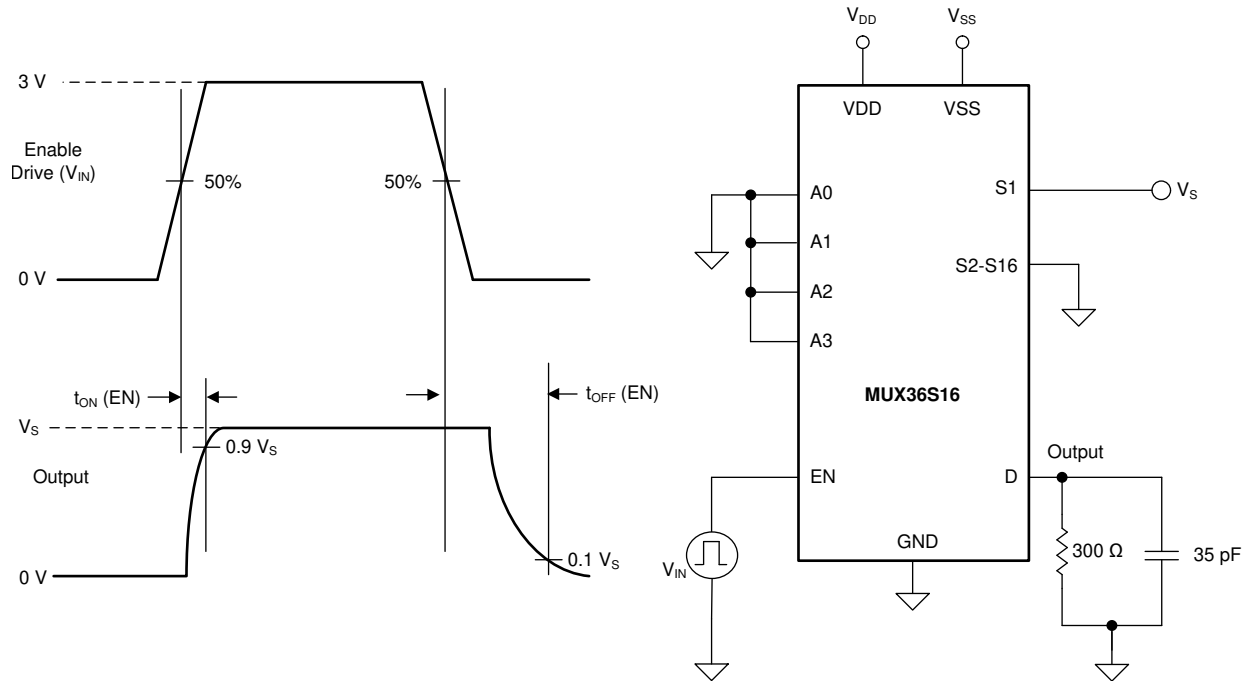


图 32. Turn-On and Turn-Off Time Measurement Setup

7.1.8 Charge Injection

The MUX36xxx have a simple transmission-gate topology. Any mismatch in capacitance between the NMOS and PMOS transistors results in a charge injected into the source or drain of the device during the falling or rising edge of the gate signal. The amount of charge injected into the source or drain of the device is known as charge injection, and is denoted by the symbol Q_{INJ} . 图 33 shows the setup used to measure charge injection.

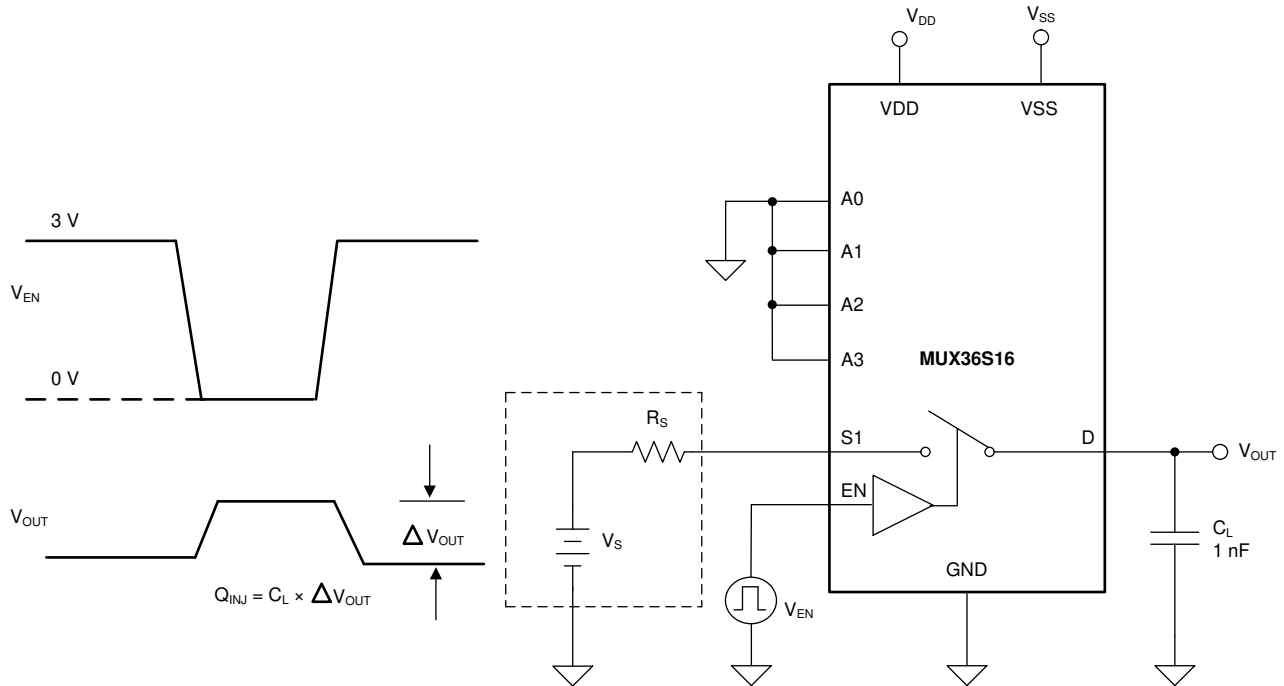


图 33. Charge-Injection Measurement Setup

7.1.9 Off Isolation

Off isolation is defined as the voltage at the drain pin (D, DA, or DB) of the MUX36xxx when a 1- V_{RMS} signal is applied to the source pin (S_x , S_{xA} , or S_{xB}) of an off-channel. 图 34 shows the setup used to measure off isolation. Use 公式 2 to compute off isolation.

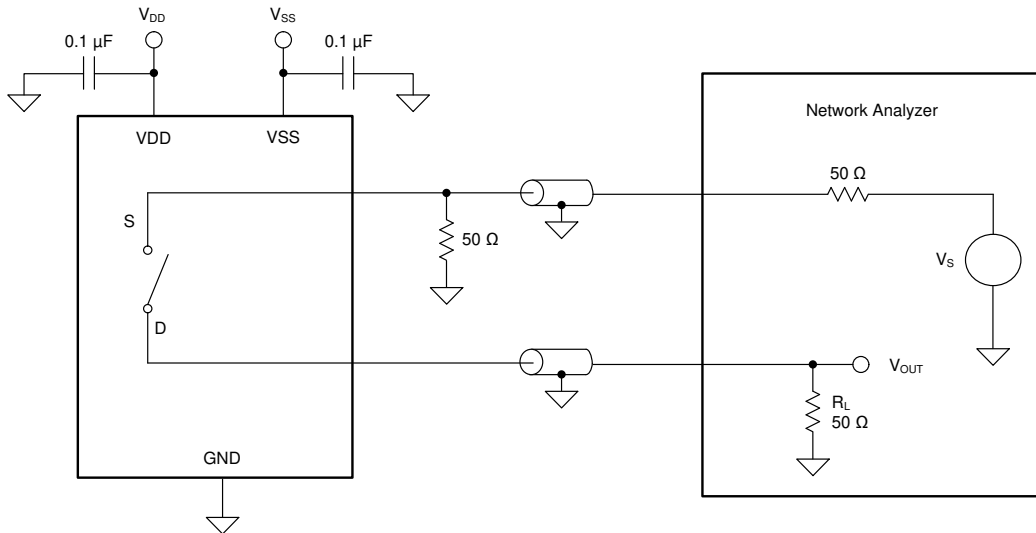


图 34. Off Isolation Measurement Setup

$$\text{Off Isolation} = 20 \cdot \text{Log} \left(\frac{V_{\text{OUT}}}{V_S} \right) \quad (2)$$

7.1.10 Channel-to-Channel Crosstalk

Channel-to-channel crosstalk is defined as the voltage at the source pin (S_x , S_{xA} , or S_{xB}) of an off-channel, when a 1- V_{RMS} signal is applied at the source pin of an on-channel. 图 35 shows the setup used to measure channel-to-channel crosstalk. Use 公式 3 to compute, channel-to-channel crosstalk.

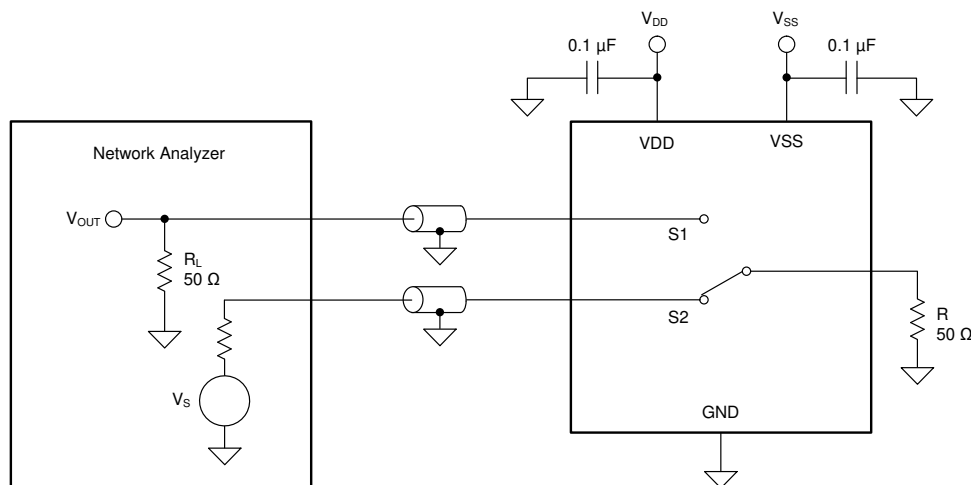


图 35. Channel-to-Channel Crosstalk Measurement Setup

$$\text{Channel-to-Channel Crosstalk} = 20 \cdot \text{Log} \left(\frac{V_{\text{OUT}}}{V_S} \right) \quad (3)$$

7.1.11 Bandwidth

Bandwidth is defined as the range of frequencies that are attenuated by less than 3 dB when the input is applied to the source pin of an on-channel, and the output measured at the drain pin of the MUX36xxx. 图 36 shows the setup used to measure bandwidth of the mux. Use 公式 4 to compute the attenuation.

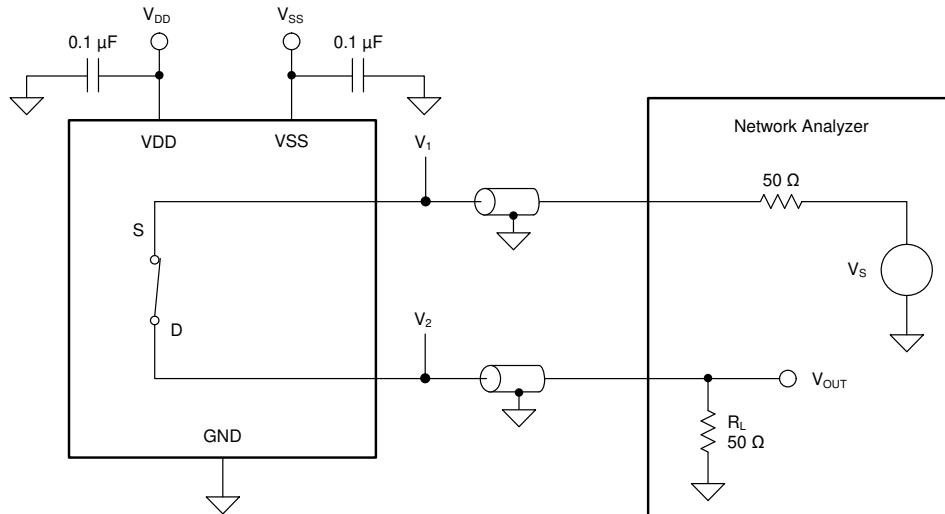


图 36. Bandwidth Measurement Setup

$$\text{Attenuation} = 20 \cdot \text{Log} \left(\frac{V_2}{V_1} \right)$$

(4)

7.1.12 THD + Noise

The total harmonic distortion (THD) of a signal is a measurement of the harmonic distortion, and is defined as the ratio of the sum of the powers of all harmonic components to the power of the fundamental frequency at the mux output. The on-resistance of the MUX36xxx varies with the amplitude of the input signal and results in distortion when the drain pin is connected to a low-impedance load. Total harmonic distortion plus noise is denoted as THD+N. 图 37 shows the setup used to measure THD+N of the MUX36xxx.

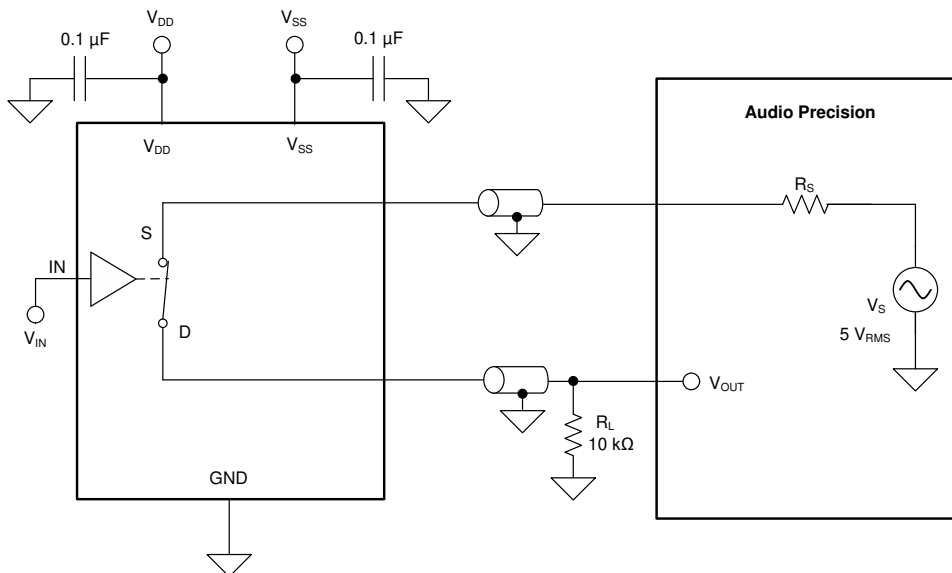


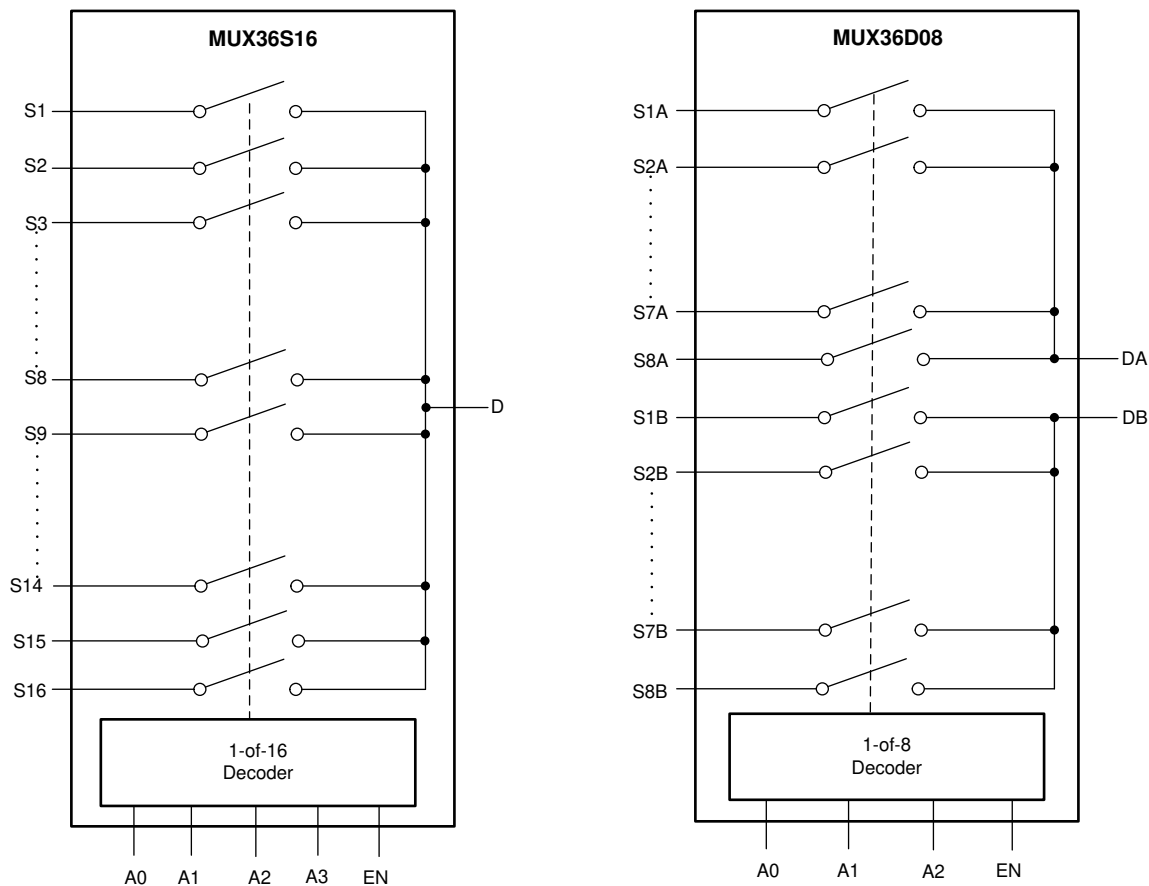
图 37. THD+N Measurement Setup

8 Detailed Description

8.1 Overview

The MUX36xxx are a family of analog multiplexers. The *Functional Block Diagram* section provides a top-level block diagram of both the MUX36S16 and MUX36D08. The MUX36S16 is a 16-channel, single-ended, analog mux. The MUX36D08 is an 8-channel, differential or dual 8:1, single-ended, analog mux. Each channel is turned on or turned off based on the state of the address lines and enable pin.

8.2 Functional Block Diagram



8.3 Feature Description

8.3.1 Ultralow Leakage Current

The MUX36xxx provide extremely low on- and off-leakage currents. The MUX36xxx are capable of switching signals from high source-impedance inputs into a high input-impedance op amp with minimal offset error because of the ultra-low leakage currents. 图 38 shows typical leakage currents of the MUX36xxx versus temperature.

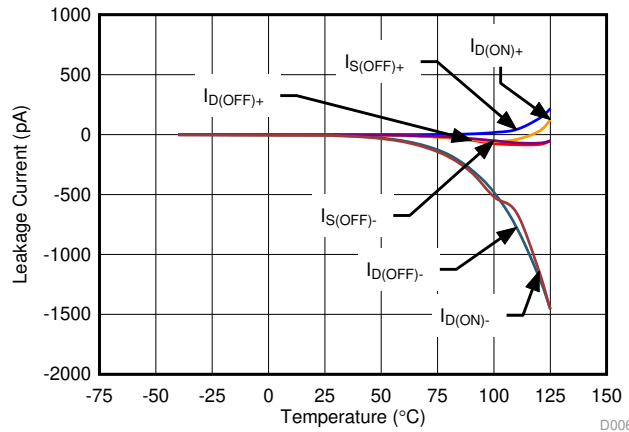


图 38. Leakage Current vs Temperature

8.3.2 Ultralow Charge Injection

The MUX36xxx have a simple transmission gate topology, as shown in 图 39. Any mismatch in the stray capacitance associated with the NMOS and PMOS causes an output level change whenever the switch is opened or closed.

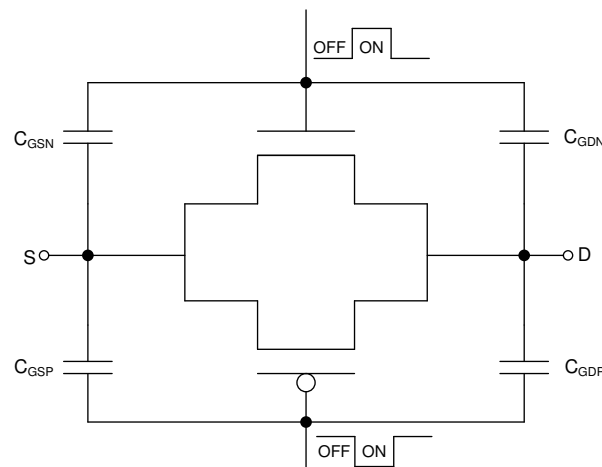


图 39. Transmission Gate Topology

Feature Description (接下页)

The MUX36xxx have special charge-injection cancellation circuitry that reduces the source-to-drain charge injection to as low as 0.31 pC at $V_S = 0$ V, and ± 0.9 pC in the full signal range, as shown in 图 40.

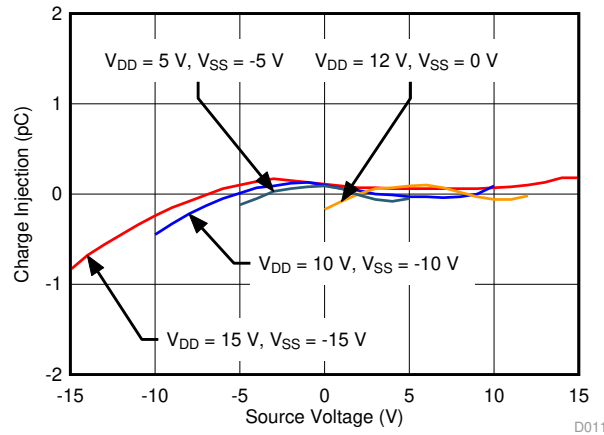


图 40. Source-to-Drain Charge Injection

The drain-to-source charge injection becomes important when the device is used as a demultiplexer (demux), where D becomes the input and S_x becomes the output. 图 41 shows the drain-to-source charge injection across the full signal range.

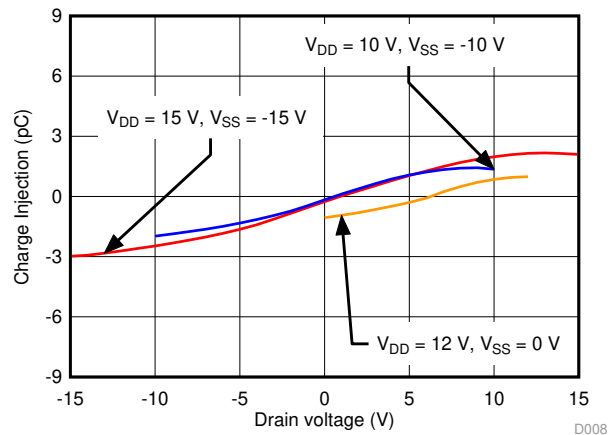


图 41. Drain-to-Source Charge Injection

Feature Description (接下页)

8.3.3 Bidirectional Operation

The MUX36xxx are operable as both a mux and demux. The source (Sx, SxA, SxB) and drain (D, DA, DB) pins of the MUX36xxx are used either as input or output. Each MUX36xxx channel has very similar characteristics in both directions.

8.3.4 Rail-to-Rail Operation

The valid analog signal for the MUX36xxx ranges from V_{SS} to V_{DD} . The input signal to the MUX36xxx swings from V_{SS} to V_{DD} without any significant degradation in performance. The on-resistance of the MUX36xxx varies with input signal, as shown in 图 42

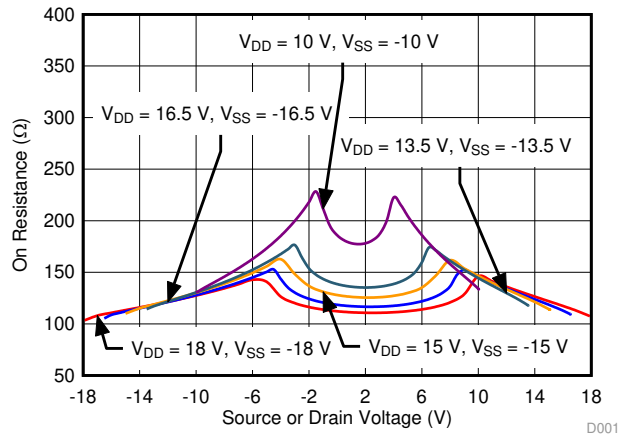


图 42. On-resistance vs Source or Drain Voltage

8.4 Device Functional Modes

When the EN pin of the MUX36xxx is pulled high, one of the switches is closed based on the state of the address lines. When the EN pin is pulled low, all the switches are in an open state irrespective of the state of the address lines. The EN pin can be connected to V_{DD} (as high as 36 V).

9 Application and Implementation

注

Information in the following applications sections is not part of the TI component specification, and TI does not warrant its accuracy or completeness. TI's customers are responsible for determining suitability of components for their purposes. Customers should validate and test their design implementation to confirm system functionality.

9.1 Application Information

The MUX36xxx family offers outstanding input/output leakage currents and ultra-low charge injection. These devices operate up to 36 V, and offer true rail-to-rail input and output. The on-capacitance of the MUX36xxx is very low. These features makes the MUX36xxx a family of precision, robust, high-performance analog multiplexer for high-voltage, industrial applications.

9.2 Typical Application

图 43 shows a 16-bit, differential, 8-channel, multiplexed, data-acquisition system. This example is typical in industrial applications that require low distortion and a high-voltage differential input. The circuit uses the ADS8864, a 16-bit, 400-kSPS successive-approximation-resistor (SAR) analog-to-digital converter (ADC), along with a precision, high-voltage, signal-conditioning front end, and a 4-channel differential mux. This TI Precision Design details the process for optimizing the precision, high-voltage, front-end drive circuit using the MUX36D08, OPA192 and OPA140 to achieve excellent dynamic performance and linearity with the ADS8864.

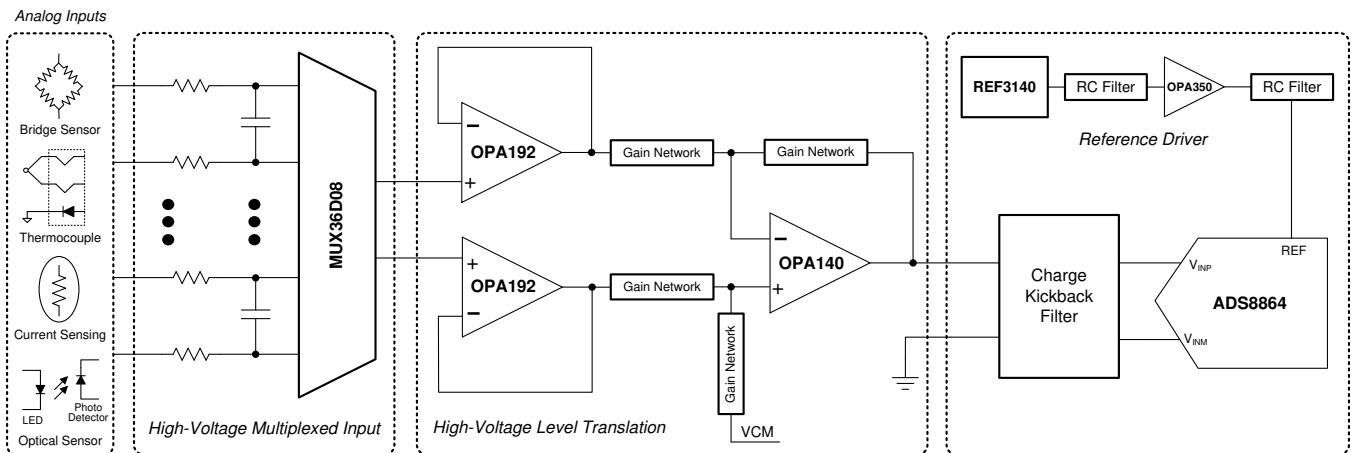


图 43. 16-Bit Precision Multiplexed Data-Acquisition System for High-Voltage Inputs With Lowest Distortion

9.2.1 Design Requirements

The primary objective is to design a ± 20 V, differential, 8-channel, multiplexed, data-acquisition system with lowest distortion using the 16-bit ADS8864 at a throughput of 400 kSPS for a 10-kHz, full-scale, pure, sine-wave input. The design requirements for this block design are:

- System supply voltage: ± 15 V
- ADC supply voltage: 3.3 V
- ADC sampling rate: 400 kSPS
- ADC reference voltage (REFP): 4.096 V
- System input signal: A high-voltage differential input signal with a peak amplitude of 20 V and frequency (f_{IN}) of 10 kHz are applied to each differential input of the mux.

Typical Application (接下页)

9.2.2 Detailed Design Procedure

The purpose of this precision design is to design an optimal, high-voltage, multiplexed, data-acquisition system for highest system linearity and fast settling. The overall system block diagram is illustrated in 图 43. The circuit is a multichannel, data-acquisition signal chain consisting of an input low-pass filter, mux, mux output buffer, attenuating SAR ADC driver, and the reference driver. The architecture allows fast sampling of multiple channels using a single ADC, providing a low-cost solution. This design systematically approaches each analog circuit block to achieve a 16-bit settling for a full-scale input stage voltage and linearity for a 10-kHz sinusoidal input signal at each input channel. Detailed design considerations and component selection procedure can be found in the TI Precision Design [TIPD151](#), *16-Bit, 400-kSPS, 4-Channel Multiplexed Data-Acquisition System for High-Voltage Inputs with Lowest Distortion*.

9.2.3 Application Curve

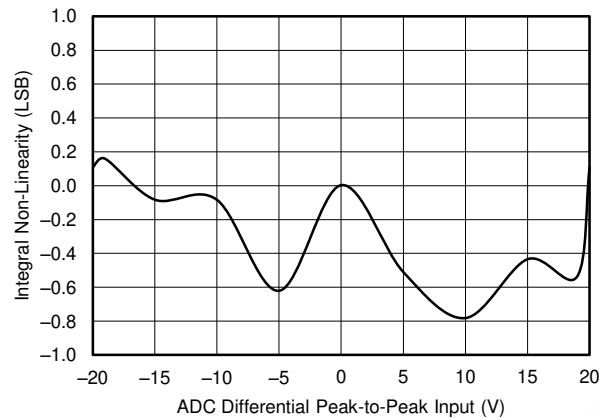


图 44. ADC 16-Bit Linearity Error for the Multiplexed Data-Acquisition Block

10 Power Supply Recommendations

The MUX36xxx operates across a wide supply range of ± 5 V to ± 18 V (10 V to 36 V in single-supply mode). The devices also perform well with unsymmetric supplies such as $V_{DD} = 12$ V and $V_{SS} = -5$ V. For reliable operation, use a supply decoupling capacitor ranging between 0.1 μ F to 10 μ F at both the VDD and VSS pins to ground.

The on-resistance of the MUX36xxx varies with supply voltage, as illustrated in [图 45](#)

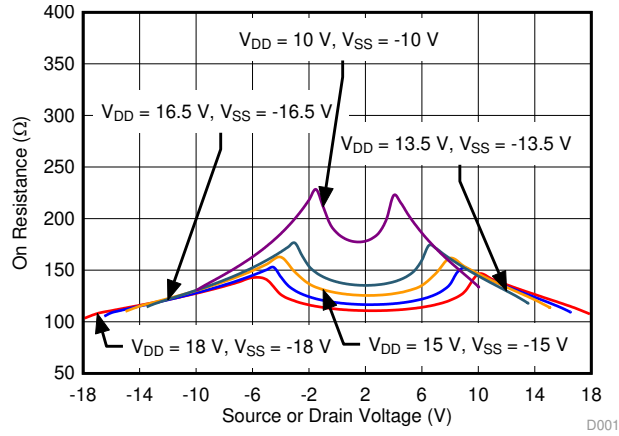


图 45. On-Resistance Variation With Supply and Input Voltage

11 Layout

11.1 Layout Guidelines

图 46 illustrates an example of a PCB layout with the MUX36S16IPW, and 图 47 illustrates an example of a PCB layout with MUX36D08IPW.

Some key considerations are:

1. Decouple the VDD and VSS pins with a 0.1- μ F capacitor, placed as close to the pin as possible. Make sure that the capacitor voltage rating is sufficient for the V_{DD} and V_{SS} supplies.
2. Keep the input lines as short as possible. In case of the differential signal, make sure the A inputs and B inputs are as symmetric as possible.
3. Use a solid ground plane to help distribute heat and reduce electromagnetic interference (EMI) noise pickup.
4. Do not run sensitive analog traces in parallel with digital traces. Avoid crossing digital and analog traces if possible, and only make perpendicular crossings when necessary.

11.2 Layout Example

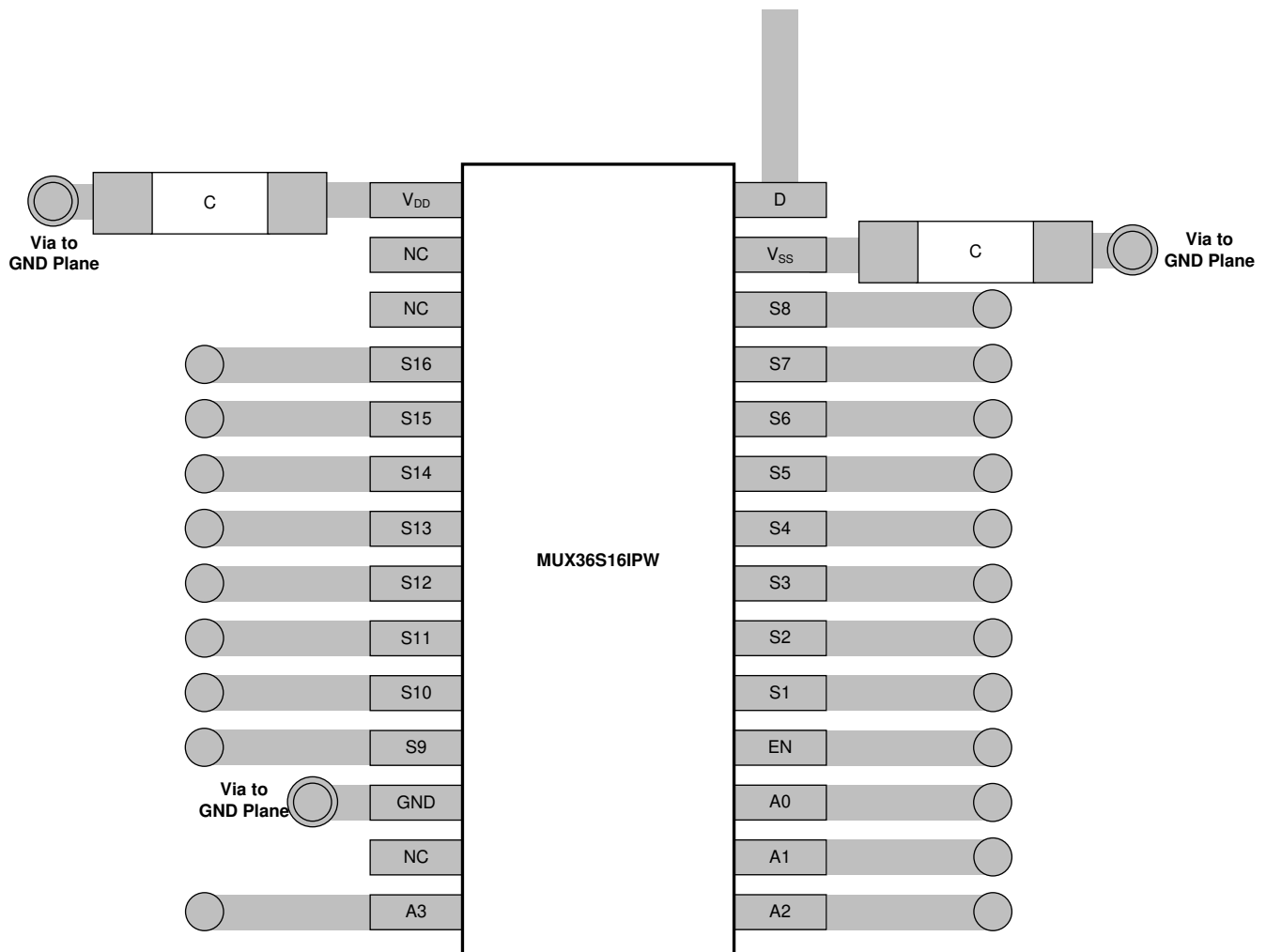


图 46. MUX36S16IPW Layout Example

Layout Example (接下页)

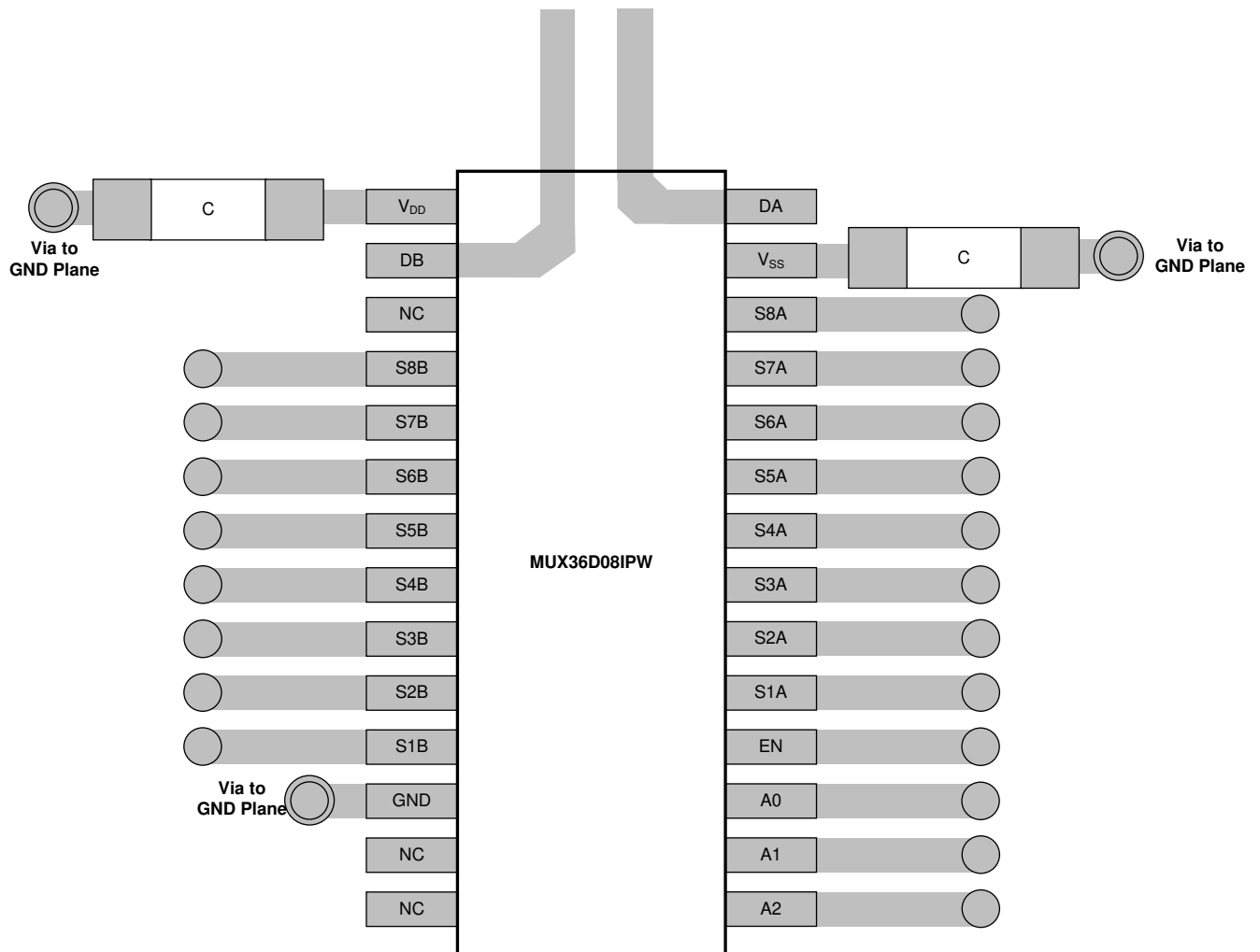


图 47. MUX36D08IPW Layout Example

12 器件和文档支持

12.1 文档支持

12.1.1 相关文档

请参阅如下相关文档:

- 《[ADS8864 16 位、400kSPS 串行接口、低功耗、微型、单端输入、SAR 模数转换器](#)》(文献编号: SBAS572)
- 《[采用 e-trim 技术的 36V、轨到轨输入/输出、低失调电压、低输入偏置电流 OPAx192 运算放大器](#)》(文献编号: SBOS620)
- 《[OPAx140 高精度、低噪声、轨到轨输出、11MHz JFET 运算放大器](#)》(文献编号: SBOS498)

12.2 相关链接

下表列出了快速访问链接。类别包括技术文档、支持和社区资源、工具和软件，以及立即订购快速访问。

表 3. 相关链接

器件	产品文件夹	立即订购	技术文档	工具与软件	支持和社区
MUX36S16	单击此处	单击此处	单击此处	单击此处	单击此处
MUX36D08	单击此处	单击此处	单击此处	单击此处	单击此处

12.3 接收文档更新通知

要接收文档更新通知，请导航至 ti.com 上的器件产品文件夹。单击右上角的 [通知我进行注册](#)，即可每周接收产品信息更改摘要。有关更改的详细信息，请查看任何已修订文档中包含的修订历史记录。

12.4 社区资源

[TI E2E™ support forums](#) are an engineer's go-to source for fast, verified answers and design help — straight from the experts. Search existing answers or ask your own question to get the quick design help you need.

Linked content is provided "AS IS" by the respective contributors. They do not constitute TI specifications and do not necessarily reflect TI's views; see TI's [Terms of Use](#).

12.5 商标

E2E is a trademark of Texas Instruments.

All other trademarks are the property of their respective owners.

12.6 静电放电警告



ESD 可能会损坏该集成电路。德州仪器 (TI) 建议通过适当的预防措施处理所有集成电路。如果不遵守正确的处理措施和安装程序，可能会损坏集成电路。

ESD 的损坏小至导致微小的性能降级，大至整个器件故障。精密的集成电路可能更容易受到损坏，这是因为非常细微的参数更改都可能会导致器件与其发布的规格不相符。

12.7 Glossary

[SLYZ022](#) — *TI Glossary*.

This glossary lists and explains terms, acronyms, and definitions.

13 机械、封装和可订购信息

以下页面包含机械、封装和可订购信息。这些信息是指定器件的最新可用数据。数据如有变更，恕不另行通知，且不会对此文档进行修订。如需获取此数据表的浏览器版本，请查阅左侧的导航栏。

PACKAGING INFORMATION

Orderable Device	Status (1)	Package Type	Package Drawing	Pins	Package Qty	Eco Plan (2)	Lead finish/ Ball material (6)	MSL Peak Temp (3)	Op Temp (°C)	Device Marking (4/5)	Samples
MUX36D08IDWR	ACTIVE	SOIC	DW	28	1000	RoHS & Green	NIPDAU	Level-3-260C-168 HR	-40 to 125	MUX36D08D	Samples
MUX36D08IPW	ACTIVE	TSSOP	PW	28	50	RoHS & Green	NIPDAU	Level-3-260C-168 HR	-40 to 125	MUX36D080A	Samples
MUX36D08IPWR	ACTIVE	TSSOP	PW	28	2000	RoHS & Green	NIPDAU	Level-3-260C-168 HR	-40 to 125	MUX36D080A	Samples
MUX36D08IRSNR	ACTIVE	QFN	RSN	32	3000	RoHS & Green	NIPDAU	Level-1-260C-UNLIM	-40 to 125	MUX 36D08	Samples
MUX36D08IRTVR	ACTIVE	WQFN	RTV	32	3000	RoHS & Green	NIPDAU	Level-1-260C-UNLIM	-40 to 125	MUX 36D08	Samples
MUX36S16IDWR	ACTIVE	SOIC	DW	28	1000	RoHS & Green	NIPDAU	Level-3-260C-168 HR	-40 to 125	MUX36S16DA	Samples
MUX36S16IPW	ACTIVE	TSSOP	PW	28	50	RoHS & Green	NIPDAU	Level-3-260C-168 HR	-40 to 125	MUX36S160A	Samples
MUX36S16IPWR	ACTIVE	TSSOP	PW	28	2000	RoHS & Green	NIPDAU	Level-3-260C-168 HR	-40 to 125	MUX36S160A	Samples
MUX36S16IRSNR	ACTIVE	QFN	RSN	32	3000	RoHS & Green	NIPDAU	Level-1-260C-UNLIM	-40 to 125	MUX 36S16	Samples
MUX36S16IRTVR	ACTIVE	WQFN	RTV	32	3000	RoHS & Green	NIPDAU	Level-1-260C-UNLIM	-40 to 125	MUX 36S16	Samples

(1) The marketing status values are defined as follows:

ACTIVE: Product device recommended for new designs.

LIFEBUY: TI has announced that the device will be discontinued, and a lifetime-buy period is in effect.

NRND: Not recommended for new designs. Device is in production to support existing customers, but TI does not recommend using this part in a new design.

PREVIEW: Device has been announced but is not in production. Samples may or may not be available.

OBSELETE: TI has discontinued the production of the device.

(2) **RoHS:** TI defines "RoHS" to mean semiconductor products that are compliant with the current EU RoHS requirements for all 10 RoHS substances, including the requirement that RoHS substance do not exceed 0.1% by weight in homogeneous materials. Where designed to be soldered at high temperatures, "RoHS" products are suitable for use in specified lead-free processes. TI may reference these types of products as "Pb-Free".

RoHS Exempt: TI defines "RoHS Exempt" to mean products that contain lead but are compliant with EU RoHS pursuant to a specific EU RoHS exemption.

Green: TI defines "Green" to mean the content of Chlorine (Cl) and Bromine (Br) based flame retardants meet JS709B low halogen requirements of <=1000ppm threshold. Antimony trioxide based flame retardants must also meet the <=1000ppm threshold requirement.

(3) MSL, Peak Temp. - The Moisture Sensitivity Level rating according to the JEDEC industry standard classifications, and peak solder temperature.

- (4) There may be additional marking, which relates to the logo, the lot trace code information, or the environmental category on the device.
- (5) Multiple Device Markings will be inside parentheses. Only one Device Marking contained in parentheses and separated by a "~" will appear on a device. If a line is indented then it is a continuation of the previous line and the two combined represent the entire Device Marking for that device.
- (6) Lead finish/Ball material - Orderable Devices may have multiple material finish options. Finish options are separated by a vertical ruled line. Lead finish/Ball material values may wrap to two lines if the finish value exceeds the maximum column width.

Important Information and Disclaimer:The information provided on this page represents TI's knowledge and belief as of the date that it is provided. TI bases its knowledge and belief on information provided by third parties, and makes no representation or warranty as to the accuracy of such information. Efforts are underway to better integrate information from third parties. TI has taken and continues to take reasonable steps to provide representative and accurate information but may not have conducted destructive testing or chemical analysis on incoming materials and chemicals. TI and TI suppliers consider certain information to be proprietary, and thus CAS numbers and other limited information may not be available for release.

In no event shall TI's liability arising out of such information exceed the total purchase price of the TI part(s) at issue in this document sold by TI to Customer on an annual basis.

TAPE AND REEL INFORMATION

QUADRANT ASSIGNMENTS FOR PIN 1 ORIENTATION IN TAPE


*All dimensions are nominal

Device	Package Type	Package Drawing	Pins	SPQ	Reel Diameter (mm)	Reel Width W1 (mm)	A0 (mm)	B0 (mm)	K0 (mm)	P1 (mm)	W (mm)	Pin1 Quadrant
MUX36D08IDWR	SOIC	DW	28	1000	330.0	32.4	11.35	18.67	3.1	16.0	32.0	Q1
MUX36D08IPWR	TSSOP	PW	28	2000	330.0	16.4	6.9	10.2	1.8	12.0	16.0	Q1
MUX36D08IRSNR	QFN	RSN	32	3000	330.0	12.4	4.25	4.25	1.15	8.0	12.0	Q2
MUX36D08IRTVR	WQFN	RTV	32	3000	330.0	12.4	5.3	5.3	1.1	8.0	12.0	Q2
MUX36S16IDWR	SOIC	DW	28	1000	330.0	32.4	11.35	18.67	3.1	16.0	32.0	Q1
MUX36S16IPWR	TSSOP	PW	28	2000	330.0	16.4	6.9	10.2	1.8	12.0	16.0	Q1
MUX36S16IRSNR	QFN	RSN	32	3000	330.0	12.4	4.25	4.25	1.15	8.0	12.0	Q2
MUX36S16IRTVR	WQFN	RTV	32	3000	330.0	12.4	5.3	5.3	1.1	8.0	12.0	Q2

TAPE AND REEL BOX DIMENSIONS


*All dimensions are nominal

Device	Package Type	Package Drawing	Pins	SPQ	Length (mm)	Width (mm)	Height (mm)
MUX36D08IDWR	SOIC	DW	28	1000	350.0	350.0	66.0
MUX36D08IPWR	TSSOP	PW	28	2000	350.0	350.0	43.0
MUX36D08IRSNR	QFN	RSN	32	3000	367.0	367.0	35.0
MUX36D08IRTVR	WQFN	RTV	32	3000	367.0	367.0	35.0
MUX36S16IDWR	SOIC	DW	28	1000	350.0	350.0	66.0
MUX36S16IPWR	TSSOP	PW	28	2000	350.0	350.0	43.0
MUX36S16IRSNR	QFN	RSN	32	3000	367.0	367.0	35.0
MUX36S16IRTVR	WQFN	RTV	32	3000	367.0	367.0	35.0

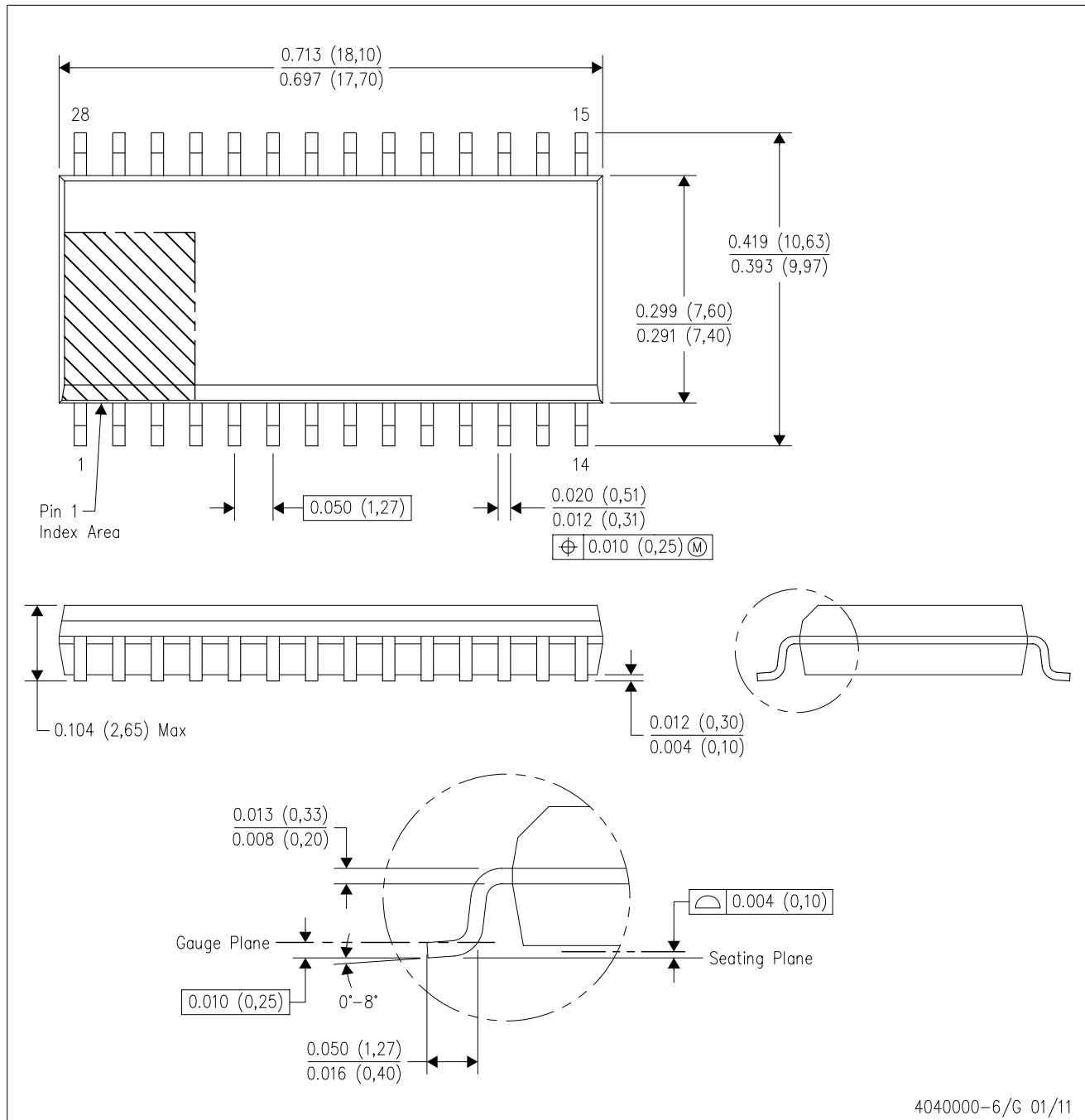
TUBE


*All dimensions are nominal

Device	Package Name	Package Type	Pins	SPQ	L (mm)	W (mm)	T (μm)	B (mm)
MUX36D08IPW	PW	TSSOP	28	50	530	10.2	3600	3.5
MUX36S16IPW	PW	TSSOP	28	50	530	10.2	3600	3.5

DW (R-PDSO-G28)

PLASTIC SMALL OUTLINE

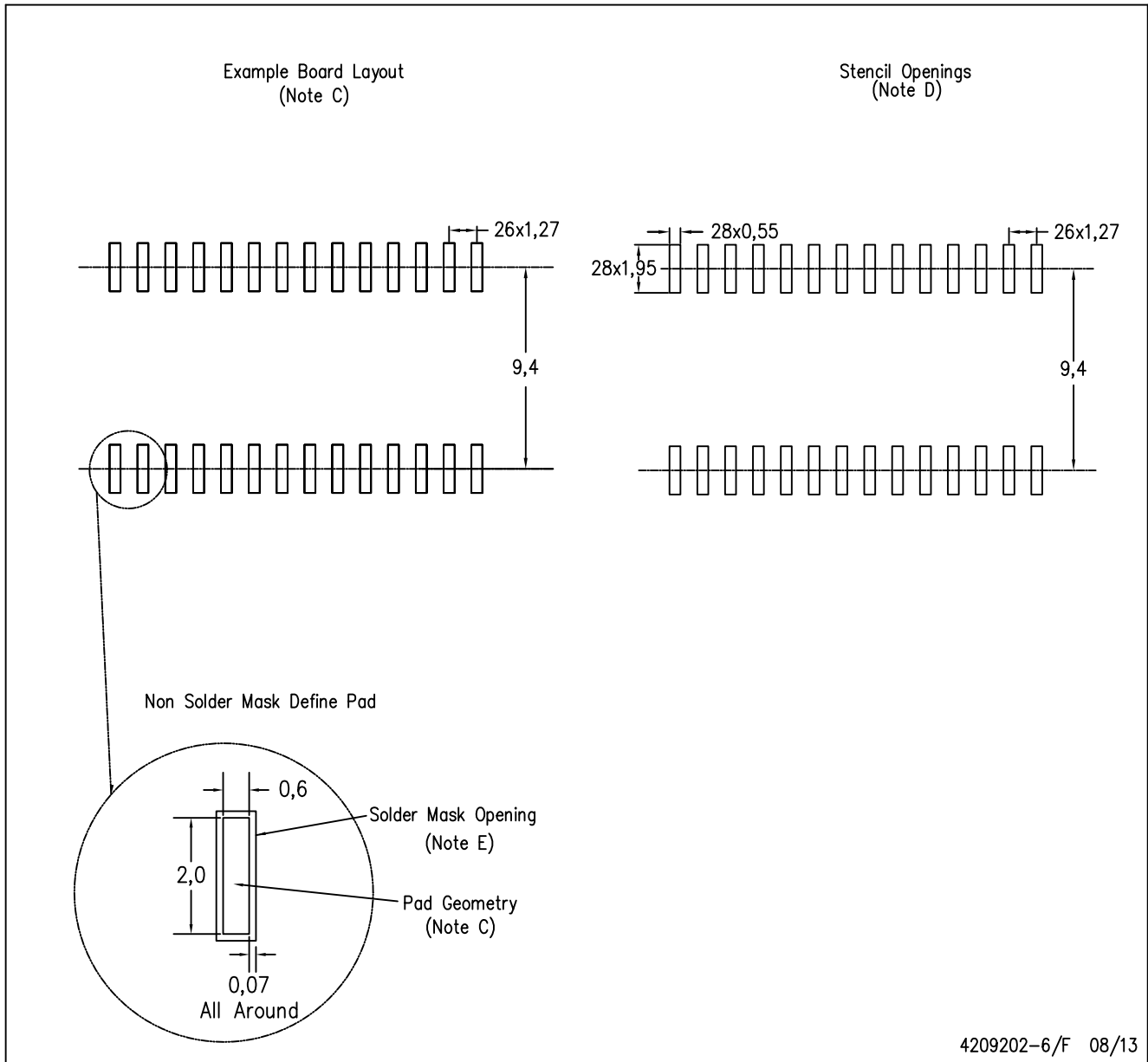


4040000-6/G 01/11

- NOTES:
- All linear dimensions are in inches (millimeters). Dimensioning and tolerancing per ASME Y14.5M-1994.
 - This drawing is subject to change without notice.
 - Body dimensions do not include mold flash or protrusion not to exceed 0.006 (0,15).
 - Falls within JEDEC MS-013 variation AE.

DW (R-PDSO-G28)

PLASTIC SMALL OUTLINE

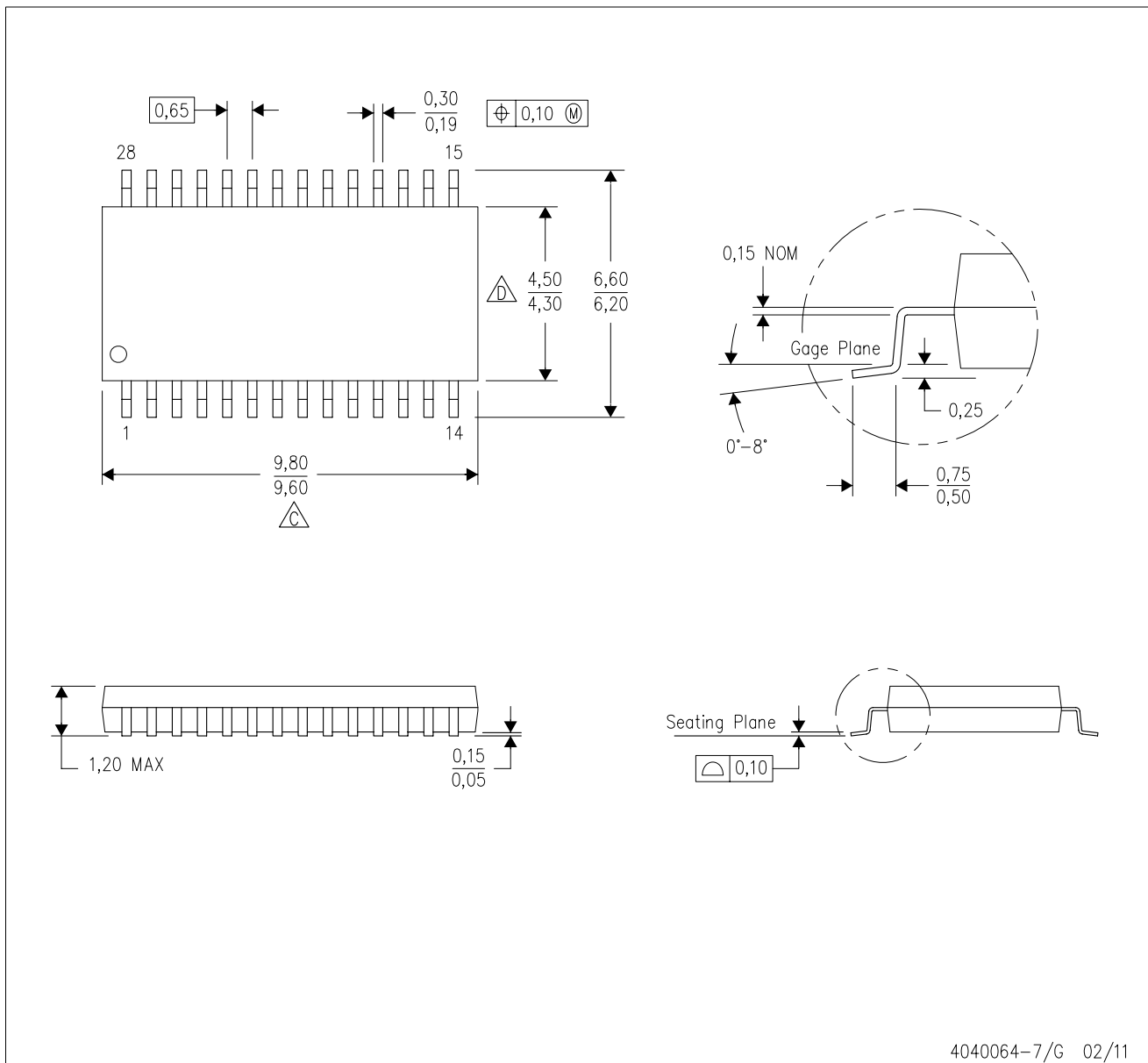


- NOTES:
- A. All linear dimensions are in millimeters.
 - B. This drawing is subject to change without notice.
 - C. Refer to IPC7351 for alternate board design.
 - D. Laser cutting apertures with trapezoidal walls and also rounding corners will offer better paste release. Customers should contact their board assembly site for stencil design recommendations. Refer to IPC-7525
 - E. Customers should contact their board fabrication site for solder mask tolerances between and around signal pads.



MECHANICAL DATA

PW (R-PDSO-G28)

PLASTIC SMALL OUTLINE



4040064-7/G 02/11

- NOTES:
- A. All linear dimensions are in millimeters. Dimensioning and tolerancing per ASME Y14.5M-1994.
 - B. This drawing is subject to change without notice.
 -  C. Body length does not include mold flash, protrusions, or gate burrs. Mold flash, protrusions, or gate burrs shall not exceed 0,15 each side.
 -  D. Body width does not include interlead flash. Interlead flash shall not exceed 0,25 each side.
 - E. Falls within JEDEC MO-153

PW (R-PDSO-G28)

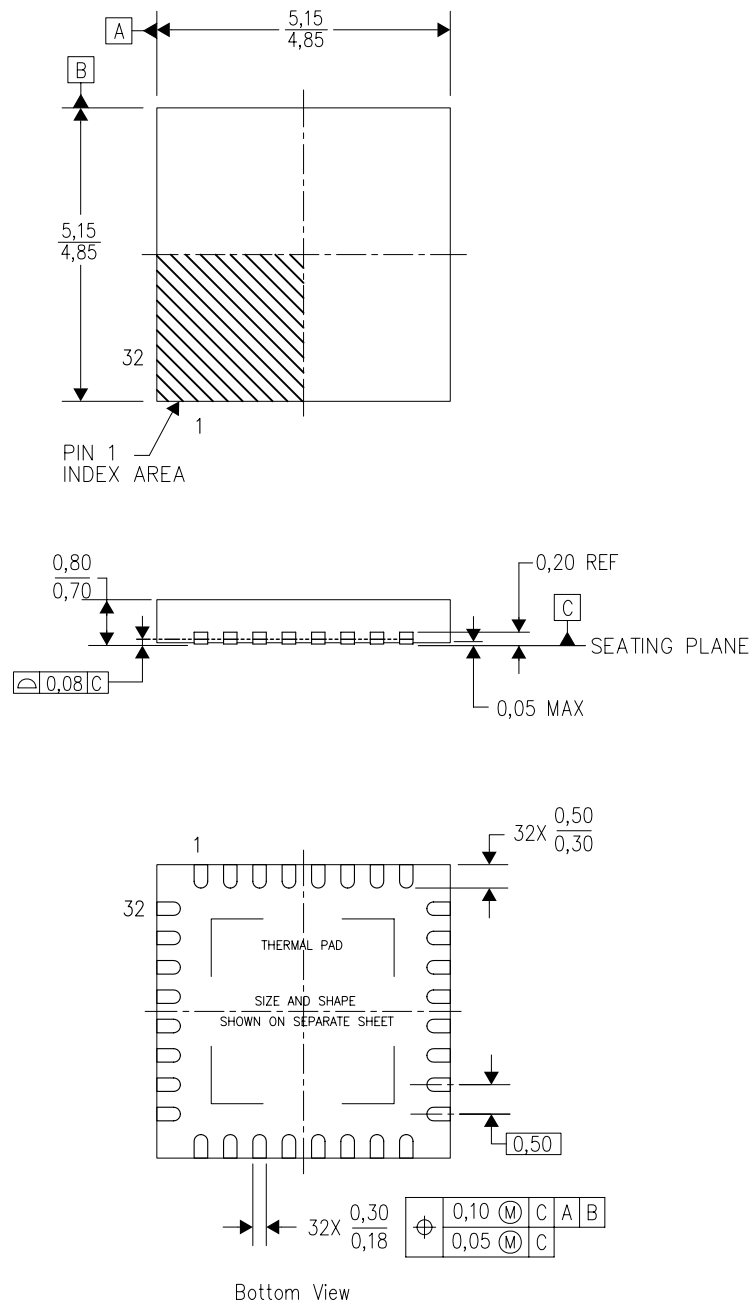
PLASTIC SMALL OUTLINE



- NOTES:
- All linear dimensions are in millimeters.
 - This drawing is subject to change without notice.
 - Publication IPC-7351 is recommended for alternate design.
 - Laser cutting apertures with trapezoidal walls and also rounding corners will offer better paste release. Customers should contact their board assembly site for stencil design recommendations. Refer to IPC-7525 for other stencil recommendations.
 - Customers should contact their board fabrication site for solder mask tolerances between and around signal pads.

RTV (S-PWQFN-N32)

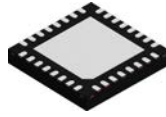
PLASTIC QUAD FLATPACK NO-LEAD



4206245/C 10/11

- NOTES:
- All linear dimensions are in millimeters. Dimensioning and tolerancing per ASME Y14.5-1994.
 - This drawing is subject to change without notice.
 - Quad Flatpack, No-Leads (QFN) package configuration.
 - The package thermal pad must be soldered to the board for thermal and mechanical performance.
 - See the additional figure in the Product Data Sheet for details regarding the exposed thermal pad features and dimensions.
 - Falls within JEDEC MO-220.

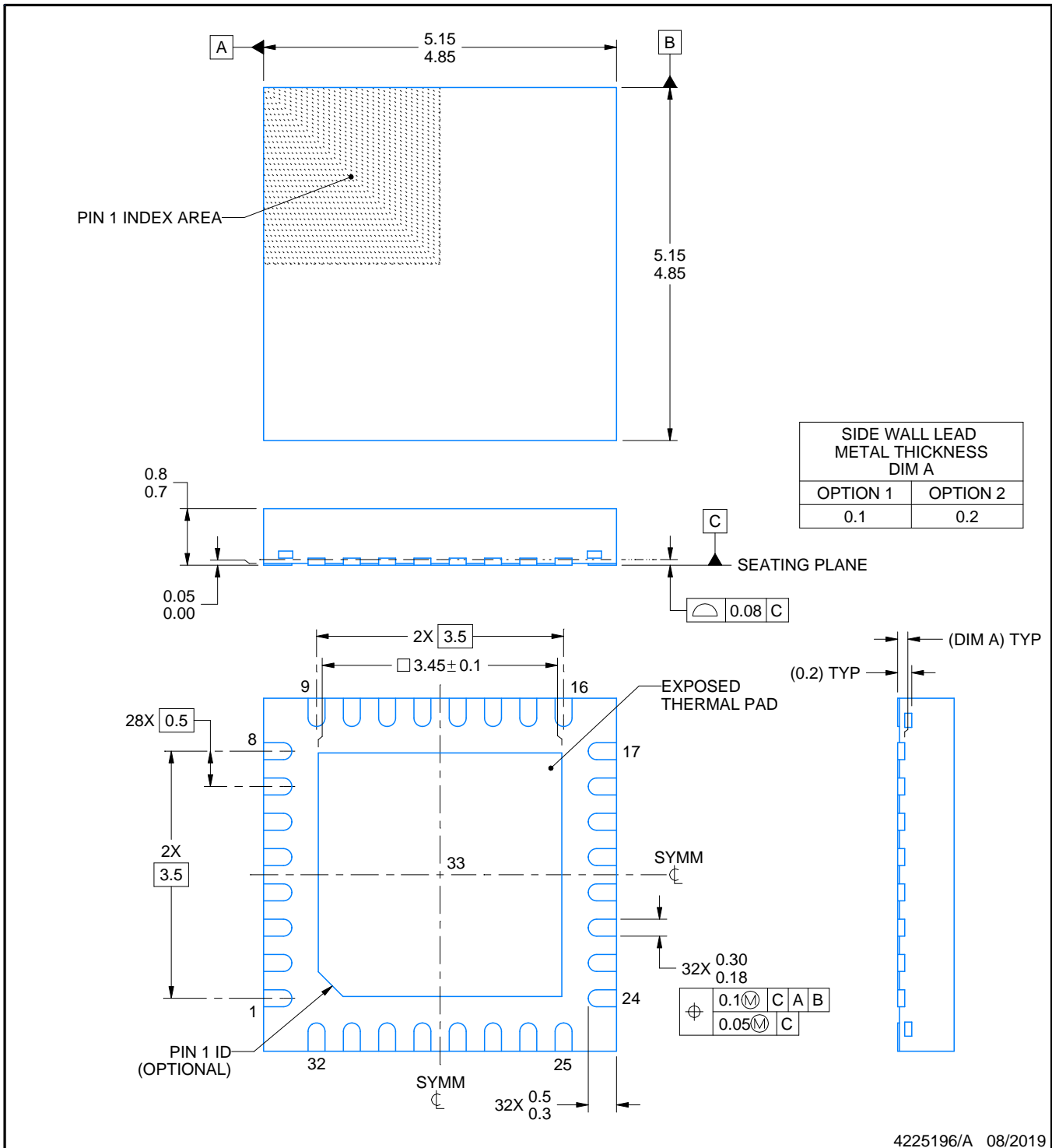
RTV0032E



PACKAGE OUTLINE

WQFN - 0.8 mm max height

PLASTIC QUAD FLATPACK - NO LEAD



4225196/A 08/2019

NOTES:

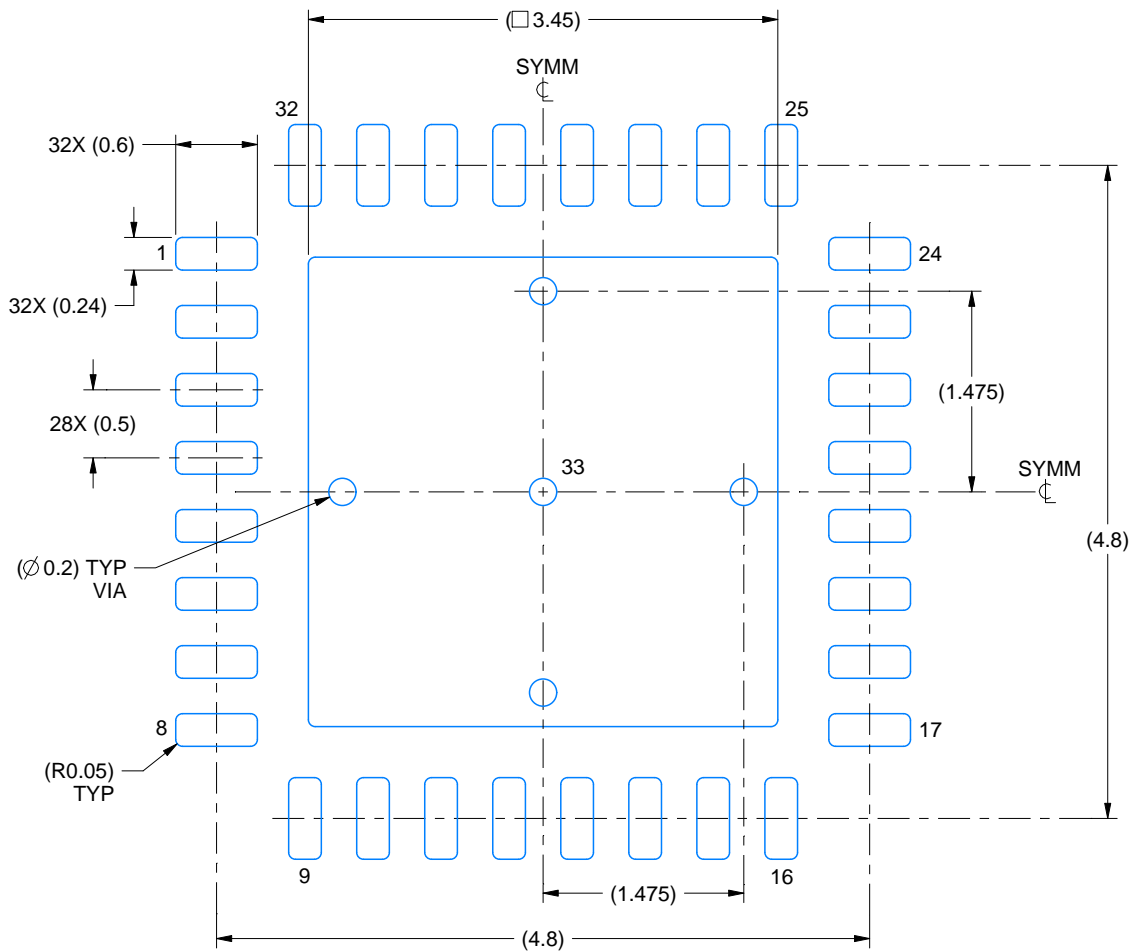
1. All linear dimensions are in millimeters. Any dimensions in parenthesis are for reference only. Dimensioning and tolerancing per ASME Y14.5M.
2. This drawing is subject to change without notice.
3. The package thermal pad must be soldered to the printed circuit board for thermal and mechanical performance.

EXAMPLE BOARD LAYOUT

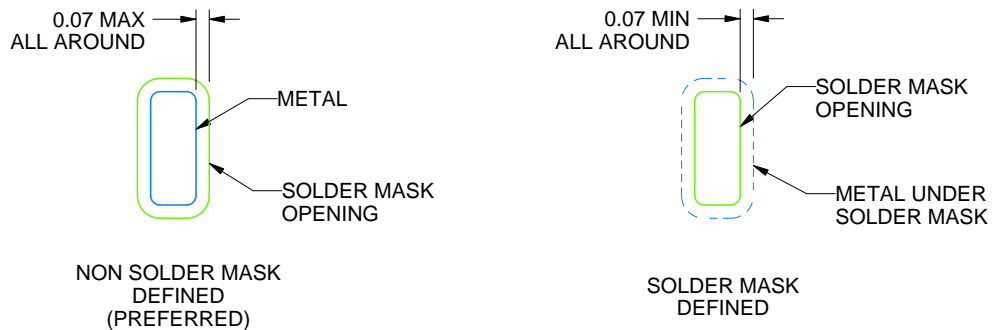
RTV0032E

WQFN - 0.8 mm max height

PLASTIC QUAD FLATPACK - NO LEAD



LAND PATTERN EXAMPLE
SCALE:18X



SOLDER MASK DETAILS

4225196/A 08/2019

NOTES: (continued)

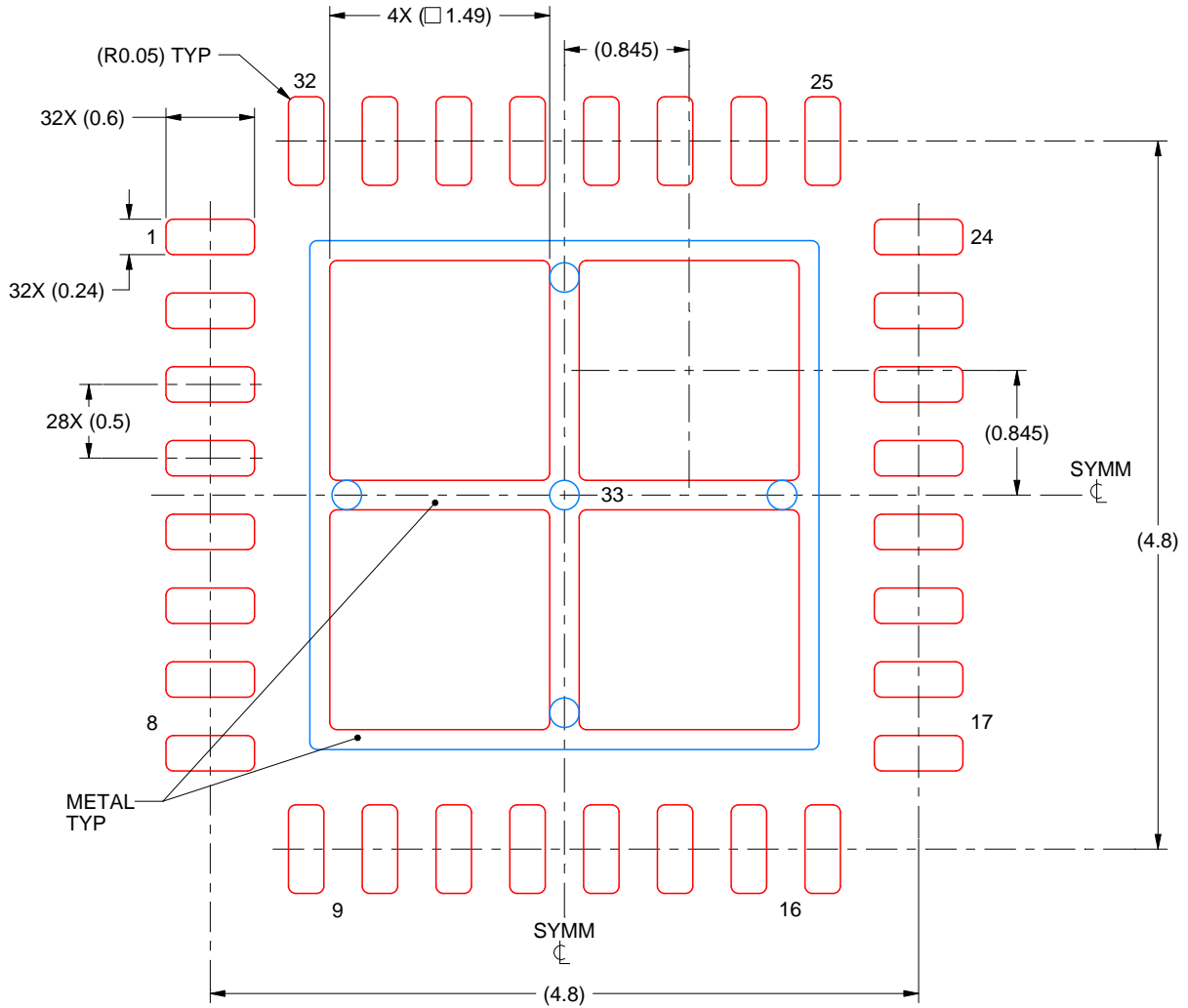
4. This package is designed to be soldered to a thermal pad on the board. For more information, see Texas Instruments literature number SLUA271 (www.ti.com/lit/slua271).
5. Vias are optional depending on application, refer to device data sheet. If any vias are implemented, refer to their locations shown on this view. It is recommended that vias under paste be filled, plugged or tented.

EXAMPLE STENCIL DESIGN

RTV0032E

WQFN - 0.8 mm max height

PLASTIC QUAD FLATPACK - NO LEAD



SOLDER PASTE EXAMPLE
 BASED ON 0.125 mm THICK STENCIL

EXPOSED PAD 33:
 75% PRINTED SOLDER COVERAGE BY AREA UNDER PACKAGE
 SCALE:20X

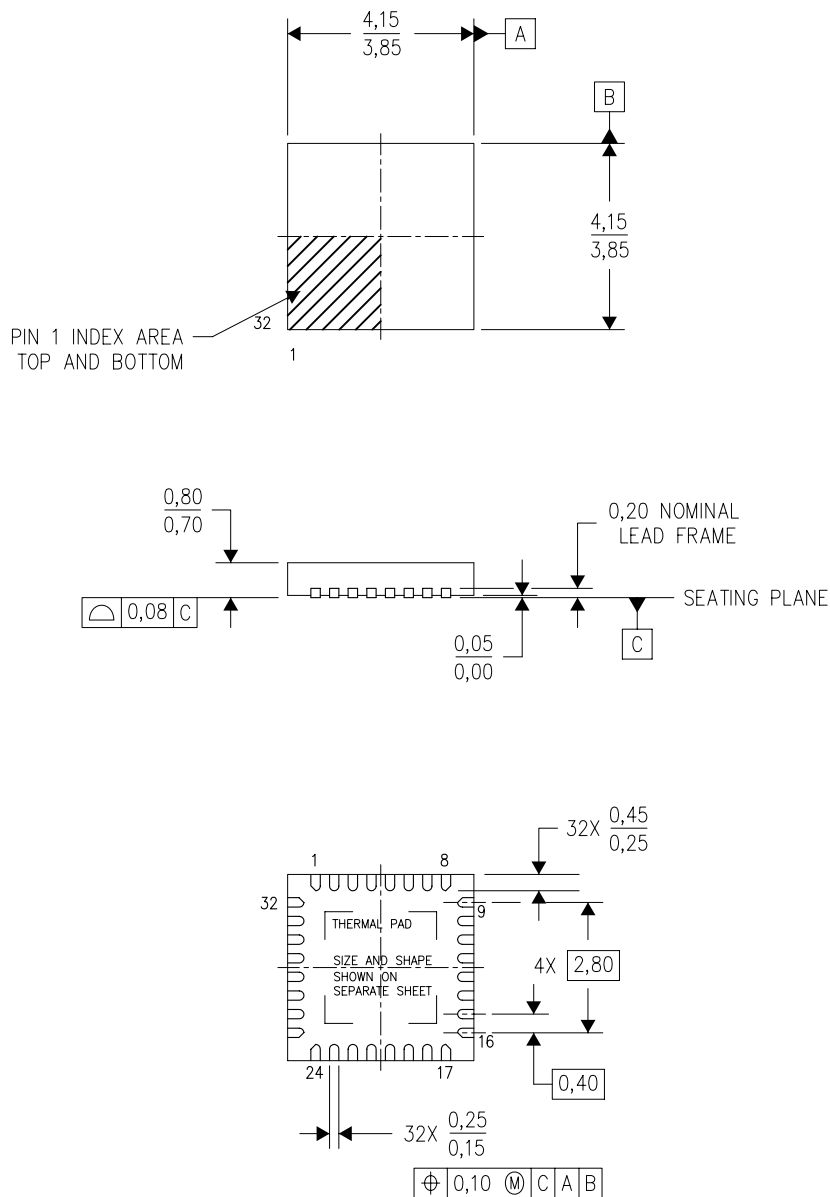
4225196/A 08/2019

NOTES: (continued)

6. Laser cutting apertures with trapezoidal walls and rounded corners may offer better paste release. IPC-7525 may have alternate design recommendations.

RSN (S-PWQFN-N32)

PLASTIC QUAD FLATPACK NO-LEAD



4207561/C 08/11

- NOTES:
- All linear dimensions are in millimeters. Dimensioning and tolerancing per ASME Y14.5M-1994.
 - This drawing is subject to change without notice.
 - QFN (Quad Flatpack No-Lead) Package configuration.
 - The package thermal pad must be soldered to the board for thermal and mechanical performance.
 - See the additional figure in the Product Data Sheet for details regarding the exposed thermal pad features and dimensions.

THERMAL PAD MECHANICAL DATA

RSN (S-PWQFN-N32)

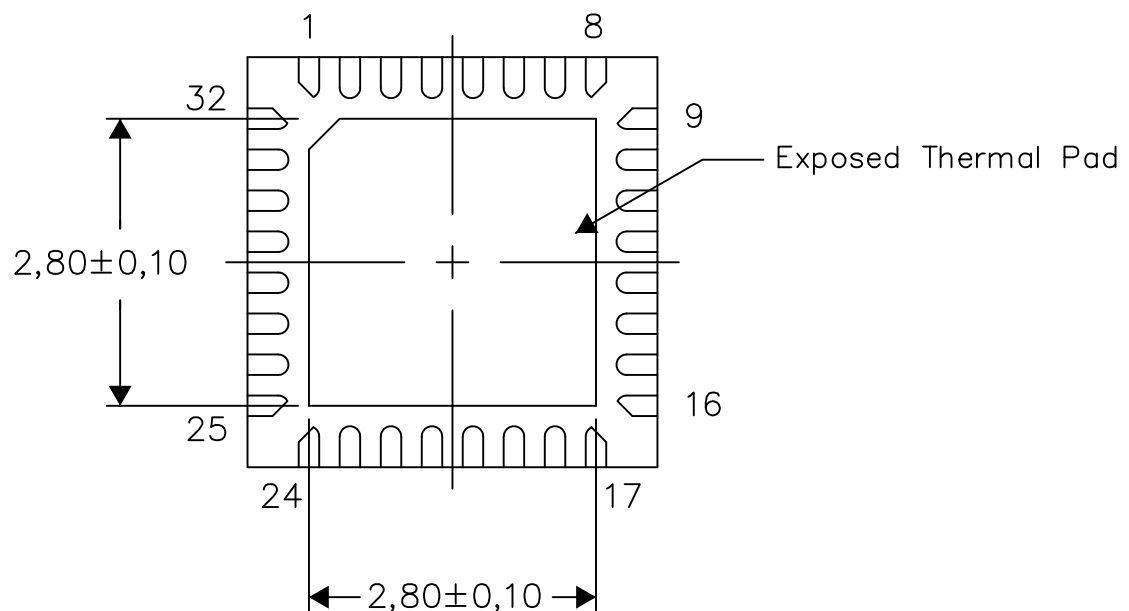
PLASTIC QUAD FLATPACK NO-LEAD

THERMAL INFORMATION

This package incorporates an exposed thermal pad that is designed to be attached directly to an external heatsink. The thermal pad must be soldered directly to the printed circuit board (PCB). After soldering, the PCB can be used as a heatsink. In addition, through the use of thermal vias, the thermal pad can be attached directly to the appropriate copper plane shown in the electrical schematic for the device, or alternatively, can be attached to a special heatsink structure designed into the PCB. This design optimizes the heat transfer from the integrated circuit (IC).

For information on the Quad Flatpack No-Lead (QFN) package and its advantages, refer to Application Report, QFN/SON PCB Attachment, Texas Instruments Literature No. SLUA271. This document is available at www.ti.com.

The exposed thermal pad dimensions for this package are shown in the following illustration.



Bottom View

Exposed Thermal Pad Dimensions

4209775-2/F 03/14

NOTE: All linear dimensions are in millimeters

重要声明和免责声明

TI“按原样”提供技术和可靠性数据（包括数据表）、设计资源（包括参考设计）、应用或其他设计建议、网络工具、安全信息和其他资源，不保证没有瑕疵且不做任何明示或暗示的担保，包括但不限于对适销性、某特定用途方面的适用性或不侵犯任何第三方知识产权的暗示担保。

这些资源可供使用 TI 产品进行设计的熟练开发人员使用。您将自行承担以下全部责任：(1) 针对您的应用选择合适的 TI 产品，(2) 设计、验证并测试您的应用，(3) 确保您的应用满足相应标准以及任何其他功能安全、信息安全、监管或其他要求。

这些资源如有变更，恕不另行通知。TI 授权您仅可将这些资源用于研发本资源所述的 TI 产品的应用。严禁对这些资源进行其他复制或展示。您无权使用任何其他 TI 知识产权或任何第三方知识产权。您应全额赔偿因在这些资源的使用中对 TI 及其代表造成的任何索赔、损害、成本、损失和债务，TI 对此概不负责。

TI 提供的产品受 [TI 的销售条款](#) 或 [ti.com](#) 上其他适用条款/TI 产品随附的其他适用条款的约束。TI 提供这些资源并不会扩展或以其他方式更改 TI 针对 TI 产品发布的适用的担保或担保免责声明。

TI 反对并拒绝您可能提出的任何其他或不同的条款。

邮寄地址：Texas Instruments, Post Office Box 655303, Dallas, Texas 75265

Copyright © 2022，德州仪器 (TI) 公司