

通过汽车认证的 LM26420-Q1 双路 2A 高效同步 直流/直流转换器

1 特性

- 符合汽车类应用要求
- 具有符合 AEC Q100 标准的下列结果：
 - 器件温度等级 0 (Q0): -40°C 至 $+150^{\circ}\text{C}$ 的环境工作温度范围
 - 器件温度等级 1 (Q1): -40°C 至 $+125^{\circ}\text{C}$ 的环境工作温度范围
- 符合 CISPR25 5 类传导发射标准
- 输入电压范围为 3V 至 5.5V
- 输出电压范围为 0.8V 至 4.5V
- 每稳压器 2A 输出电流
- 2.2MHz 固定开关频率
- 0.8V, 1.5% 内部电压基准
- 内部软启动
- 针对每个输出的独立电源正常和精密使能功能
- 电流模式, PWM 操作
- 热关断
- 过压保护
- 启动至预偏置输出负载
- 稳压器为 180° 异相
- 使用 LM26420-Q1 并借助 WEBENCH® 电源设计器创建定制设计方案

2 应用

- 汽车音响主机和仪表组
- ADAS 摄像机系统
- 汽车雷达系统
- 高度集成的 POL 电源

3 说明

LM26420-Q1 稳压器是一款单片高效双路 PWM 降压直流/直流转换器。该器件可使用一流的 BICMOS 技术通过内部 $75\text{m}\Omega$ PMOS 顶部开关和内部 $50\text{m}\Omega$ NMOS 底部开关驱动两个 2A 负载, 实现最佳的功率密度。世界级控制电路可实现低至 30ns 的接通时间, 从而在整个 3V 至 5.5V 输入工作范围内支持低至 0.8V 的最小输出电压的出色高频转换。

尽管运行频率很高, 但仍可以轻松实现高达 93% 的效率。具备外部关断功能, 因此具有超低的待机电流。

LM26420-Q1 可利用电流模式控制和内部补偿在各种运行条件下提供高性能调节。

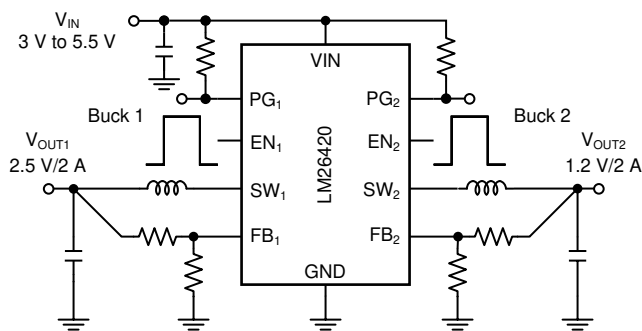
由于可确保开关频率大于 2MHz, 因此 LM26420-Q1 可用于汽车应用, 而不会在 AM 频带中造成干扰。

器件信息(1)

| 器件型号 | 封装 | 封装尺寸 (标称值) |
|------------|-------------|-----------------|
| LM26420-Q1 | HTSSOP (20) | 6.50mm x 4.40mm |
| | WQFN (16) | 4.00mm x 4.00mm |

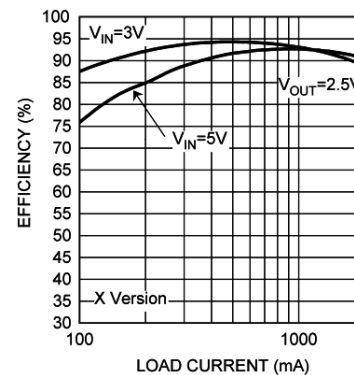
(1) 如需了解所有可用封装, 请参阅数据表末尾的可订购产品附录。

LM26420 双路降压直流/直流转换器



Copyright © 2016, Texas Instruments Incorporated

LM26420 效率 (高达 93%)



目录

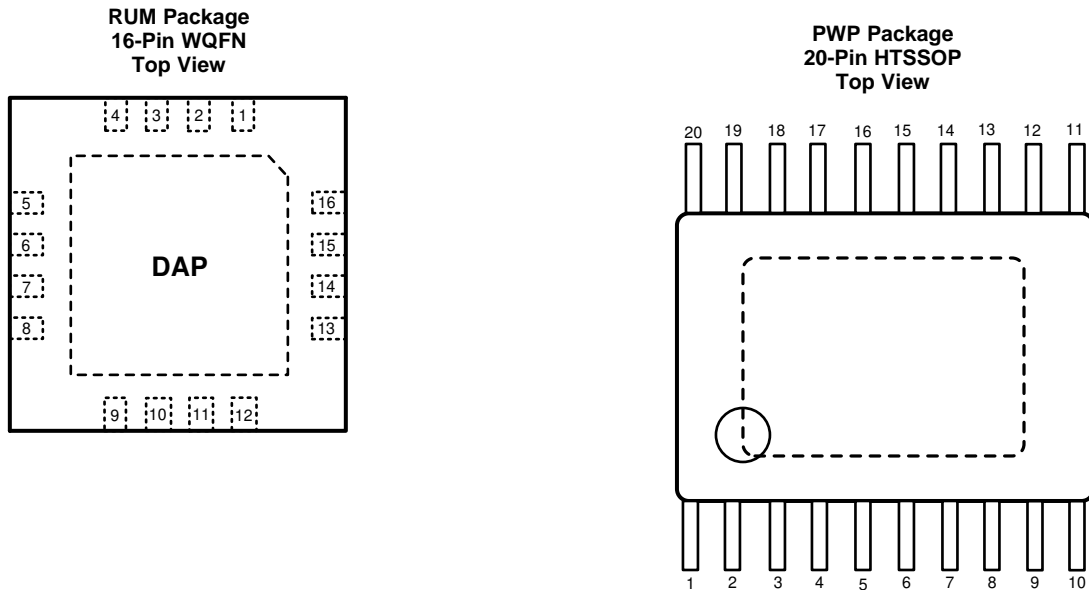
| | | | | | |
|----------|--|-----------|-----------|---|-----------|
| 1 | 特性 | 1 | 8 | Application and Implementation | 15 |
| 2 | 应用 | 1 | 8.1 | Application Information..... | 15 |
| 3 | 说明 | 1 | 8.2 | Typical Applications | 18 |
| 4 | 修订历史记录 | 2 | 9 | Power Supply Recommendations | 28 |
| 5 | Pin Configuration and Functions | 3 | 10 | Layout | 28 |
| 6 | Specifications | 5 | 10.1 | Layout Guidelines | 28 |
| 6.1 | Absolute Maximum Ratings | 5 | 10.2 | Layout Example | 29 |
| 6.2 | ESD Ratings | 5 | 10.3 | Thermal Considerations | 29 |
| 6.3 | Recommended Operating Conditions..... | 5 | 11 | 器件和文档支持 | 32 |
| 6.4 | Thermal Information | 5 | 11.1 | 器件支持 | 32 |
| 6.5 | Electrical Characteristics Per Buck..... | 6 | 11.2 | 文档支持 | 32 |
| 6.6 | Typical Characteristics | 7 | 11.3 | 接收文档更新通知 | 32 |
| 7 | Detailed Description | 12 | 11.4 | 社区资源 | 32 |
| 7.1 | Overview | 12 | 11.5 | 商标 | 32 |
| 7.2 | Functional Block Diagram | 13 | 11.6 | 静电放电警告 | 32 |
| 7.3 | Feature Description..... | 13 | 11.7 | Glossary | 33 |
| 7.4 | Device Functional Modes..... | 14 | 12 | 机械、封装和可订购信息 | 33 |

4 修订历史记录

注：之前版本的页码可能与当前版本有所不同。

| Changes from Original (May 2018) to Revision A | Page |
|---|-------------|
| • Updated Power Supply Recommendations | 28 |

5 Pin Configuration and Functions



Pin Functions: 16-Pin WQFN

| PIN | | TYPE | DESCRIPTION |
|--------|-------------------|------|--|
| NUMBER | NAME | | |
| 1,2 | VIND ₁ | P | Power input supply for Buck 1. |
| 3 | SW ₁ | P | Output switch for Buck 1. Connect to the inductor. |
| 4 | PGND ₁ | G | Power ground pin for Buck 1. |
| 5 | FB ₁ | A | Feedback pin for Buck 1. Connect to external resistor divider to set output voltage. |
| 6 | PG ₁ | G | Power Good Indicator for Buck 1. Pin is connected through a resistor to an external supply (open drain output). |
| 7 | PG ₂ | G | Power Good Indicator for Buck 2. Pin is connected through a resistor to an external supply (open drain output). |
| 8 | FB ₂ | A | Feedback pin for Buck 2. Connect to external resistor divider to set output voltage. |
| 9 | PGND ₂ | G | Power ground pin for Buck 2. |
| 10 | SW ₂ | P | Output switch for Buck 2. Connect to the inductor. |
| 11, 12 | VIND ₂ | A | Power Input supply for Buck 2. |
| 13 | EN ₂ | A | Enable control input. Logic high enable operation for Buck 2. Do not allow this pin to float or be greater than V _{IN} + 0.3 V. |
| 14 | AGND | G | Signal ground pin. Place the bottom resistor of the feedback network as close as possible to pin. |
| 15 | VINC | A | Input supply for control circuitry. |
| 16 | EN ₁ | A | Enable control input. Logic high enable operation for Buck 1. Do not allow this pin to float or be greater than V _{IN} + 0.3 V. |
| DAP | Die Attach Pad | — | Connect to system ground for low thermal impedance and as a primary electrical GND connection. |

Pin Functions 20-Pin HTSSOP

| PIN | | TYPE | DESCRIPTION |
|-------------|-------------------|------|---|
| NUMBER | NAME | | |
| 1 | VINC | A | Input supply for control circuitry. |
| 2 | EN ₁ | A | Enable control input. Logic high enable operation for Buck 1. Do not allow this pin to float or be greater than $V_{IN} + 0.3$ V. |
| 3, 4 | VIND ₁ | A | Power Input supply for Buck 1. |
| 5 | SW ₁ | P | Output switch for Buck 1. Connect to the inductor. |
| 6,7 | PGND ₁ | G | Power ground pin for Buck 1. |
| 8 | FB ₁ | A | Feedback pin for Buck 1. Connect to external resistor divider to set output voltage. |
| 9 | PG ₁ | G | Power Good Indicator for Buck 1. Pin is connected through a resistor to an external supply (open drain output). |
| 10, 11, DAP | Die Attach Pad | — | Connect to system ground for low thermal impedance, but it cannot be used as a primary GND connection. |
| 12 | PG ₂ | G | Power Good Indicator for Buck 2. Pin is connected through a resistor to an external supply (open drain output). |
| 13 | FB ₂ | A | Feedback pin for Buck 2. Connect to external resistor divider to set output voltage. |
| 14, 15 | PGND ₂ | G | Power ground pin for Buck 2. |
| 16 | SW ₂ | P | Output switch for Buck 2. Connect to the inductor. |
| 17, 18 | VIND ₂ | A | Power Input supply for Buck 2. |
| 19 | EN ₂ | A | Enable control input. Logic high enable operation for Buck 2. Do not allow this pin to float or be greater than $V_{IN} + 0.3$ V. |
| 20 | AGND | G | Signal ground pin. Place the bottom resistor of the feedback network as close as possible to pin. |

6 Specifications

6.1 Absolute Maximum Ratings

Over operating free-air temperature range (unless otherwise noted)⁽¹⁾

| | | MIN | MAX | UNIT |
|--|-----------------------|------|-----|------|
| Input voltages | V _{IN} | -0.5 | 7 | V |
| | FB | -0.5 | 3 | |
| | EN | -0.5 | 7 | |
| Output voltages | SW | -0.5 | 7 | V |
| Infrared or convection reflow (15 sec) | Soldering Information | | 220 | °C |
| Storage temperature T _{stg} | | -65 | 150 | °C |

(1) Stresses beyond those listed under *Absolute Maximum Ratings* may cause permanent damage to the device. These are stress ratings only, which do not imply functional operation of the device at these or any other conditions beyond those indicated under *Recommended Operating Conditions*. Exposure to absolute-maximum-rated conditions for extended periods may affect device reliability.

6.2 ESD Ratings

| | | | VALUE | UNIT |
|--|---|-------------------------------|-------|------|
| V _(ESD) Electrostatic discharge | Human-body model (HBM), per AEC Q100-002 ⁽¹⁾ | | ±2000 | V |
| | Charged-device model (CDM), per AEC Q100-011 | Other pins | ±750 | |
| | | Corner pins 1, 10, 11, and 20 | ±750 | |

(1) AEC Q100-002 indicates that HBM stressing shall be in accordance with the ANSI/ESDA/JEDEC JS-001 specification.

6.3 Recommended Operating Conditions

Over operating free-air temperature range (unless otherwise noted)

| | | MIN | MAX | UNIT |
|---------------------------|--|-----|-----|------|
| V _{IN} | | 3 | 5.5 | V |
| Junction temperature (Q1) | | -40 | 125 | °C |
| Junction temperature (Q0) | | -40 | 150 | |

6.4 Thermal Information

| THERMAL METRIC ⁽¹⁾ | | LM26420-Q1 | | UNIT |
|-------------------------------|--|--------------|------------|------|
| | | PWP (HTSSOP) | RUM (WQFN) | |
| | | 20 PINS | 16 PINS | |
| R _{θJA} | Junction-to-ambient thermal resistance | 38.5 | 36.2 | °C/W |
| R _{θJC(top)} | Junction-to-case thermal resistance | 21.0 | 32.7 | °C/W |
| R _{θJB} | Junction-to-board thermal resistance | 19.9 | 14.1 | °C/W |
| ψ _{JT} | Junction-to-top characterization parameter | 0.7 | 0.3 | °C/W |
| ψ _{JB} | Junction-to-board characterization parameter | 19.7 | 14.2 | °C/W |
| R _{θJC(bot)} | Junction-to-case (bottom) thermal resistance | 3.5 | 4.1 | °C/W |

(1) For more information about traditional and new thermal metrics, see the *Semiconductor and IC Package Thermal Metrics* application report.

6.5 Electrical Characteristics Per Buck

Over operating free-air temperature range (unless otherwise noted)

| PARAMETER | | TEST CONDITIONS | MIN | TYP | MAX | UNIT |
|-----------------------------------|---|-----------------------------------|-------|-------|-------|------|
| V _{FB} | Feedback Voltage | | 0.788 | 0.8 | 0.812 | V |
| ΔV _{FB} /V _{IN} | Feedback Voltage Line Regulation | V _{IN} = 3 V to 5.5 V | | 0.05 | | %/V |
| I _B | Feedback Input Bias Current | | | 0.4 | 100 | nA |
| UVLO | Undervoltage Lockout | V _{IN} Rising | | 2.628 | 2.9 | V |
| | | V _{IN} Falling | 2 | 2.3 | | V |
| | UVLO Hysteresis | | | 330 | | mV |
| F _{SW} | Switching Frequency | | 2.01 | 2.2 | 2.65 | MHz |
| F _{FB} | Frequency Foldback | | | 300 | | kHz |
| D _{MAX} | Maximum Duty Cycle | | 86% | 91.5% | | |
| R _{DSON_TOP} | TOP Switch On Resistance | WQFN-16 Package | | 75 | 135 | mΩ |
| | | HTSSOP-20 Package | | 70 | 135 | |
| R _{DSON_BOT} | BOTTOM Switch On Resistance | WQFN-16 Package | | 55 | 100 | mΩ |
| | | TSSOP-20 Package | | 45 | 80 | |
| I _{CL_TOP} | TOP Switch Current Limit | V _{IN} = 3.3 V | 2.4 | 3.3 | | A |
| I _{CL_BOT} | BOTTOM Switch Reverse Current Limit | V _{IN} = 3.3 V | 0.4 | 0.75 | | A |
| ΔΦ | Phase Shift Between SW ₁ and SW ₂ | | 160 | 180 | 200 | ° |
| V _{EN_TH} | Enable Threshold Voltage | | 0.97 | 1.04 | 1.12 | V |
| | Enable Threshold Hysteresis | | | 0.15 | | |
| I _{SW_TOP} | Switch Leakage | | | -0.7 | | μA |
| I _{EN} | Enable Pin Current | Sink/Source | | 5 | | nA |
| V _{PG-TH-U} | Upper Power Good Threshold | FB Pin Voltage Rising | 848 | 925 | 1,008 | mV |
| | Upper Power Good Hysteresis | | | 40 | | mV |
| V _{PG-TH-L} | Lower Power Good Threshold | FB Pin Voltage Rising | 656 | 710 | 791 | mV |
| | Lower Power Good Hysteresis | | | 40 | | mV |
| I _{QVINC} | VINC Quiescent Current (non-switching) with both outputs on | V _{FB} = 0.9 V | | 3.3 | 5 | mA |
| | VINC Quiescent Current (switching) with both outputs on | V _{FB} = 0.7 V | | 4.7 | 6.2 | |
| | VINC Quiescent Current (shutdown) | V _{EN} = 0 V | | 0.05 | | μA |
| I _{QVIND} | VIND Quiescent Current (non-switching) | V _{FB} = 0.9 V | | 0.9 | 1.5 | mA |
| | VIND Quiescent Current (switching) | V _{FB} = 0.7 V | | 11 | 15 | |
| I _{QVIND} | VIND Quiescent Current (switching) | LM26420Q0 V _{FB} = 0.7 V | | 11 | 18 | mA |
| I _{QVIND} | VIND Quiescent Current (shutdown) | V _{EN} = 0 V | | 0.1 | | μA |
| T _{SD} | Thermal Shutdown Temperature | | | 165 | | °C |

6.6 Typical Characteristics

All curves taken at $V_{IN} = 5\text{ V}$ with configuration in typical application circuits shown in *Application and Implementation*. $T_J = 25^\circ\text{C}$, unless otherwise specified.

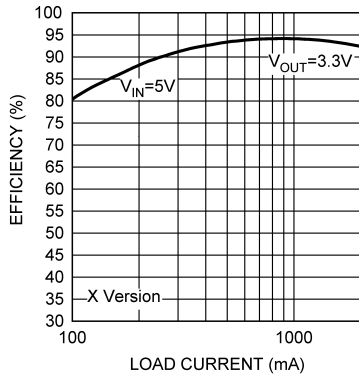


Figure 1. Efficiency vs Load

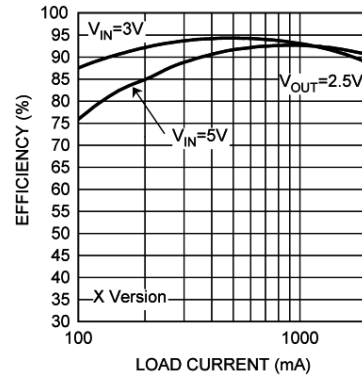


Figure 2. Efficiency vs Load

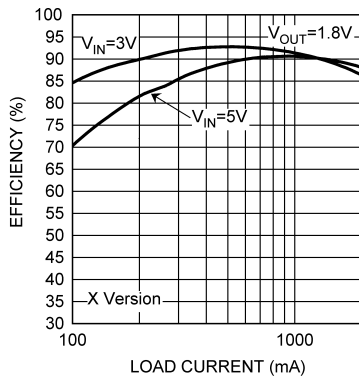


Figure 3. Efficiency vs Load

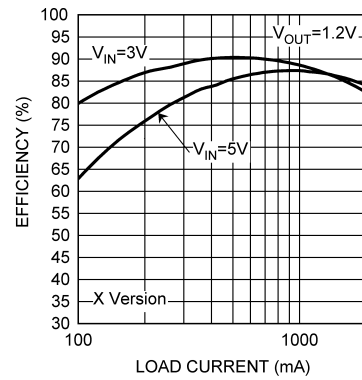


Figure 4. Efficiency vs Load

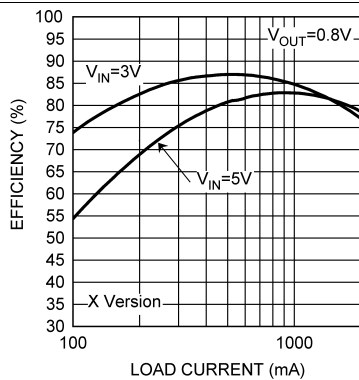


Figure 5. Efficiency vs Load

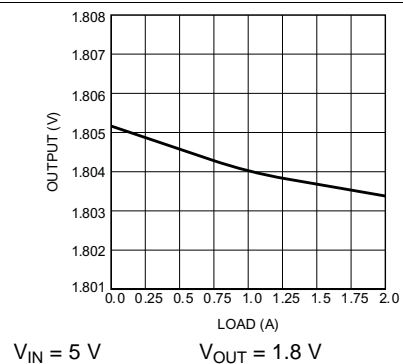


Figure 6. Load Regulation

Typical Characteristics (continued)

All curves taken at $V_{IN} = 5\text{ V}$ with configuration in typical application circuits shown in [Application and Implementation](#). $T_J = 25^\circ\text{C}$, unless otherwise specified.

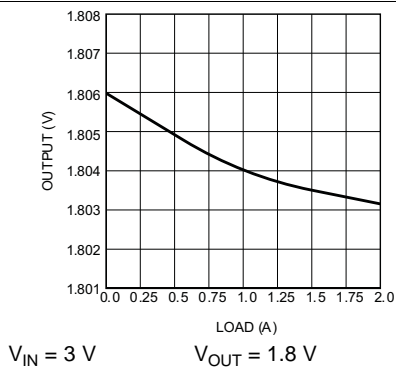


Figure 7. Load Regulation

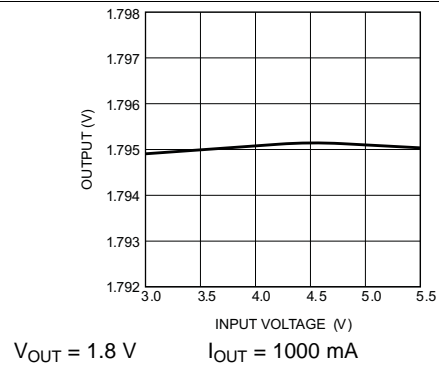


Figure 8. Line Regulation

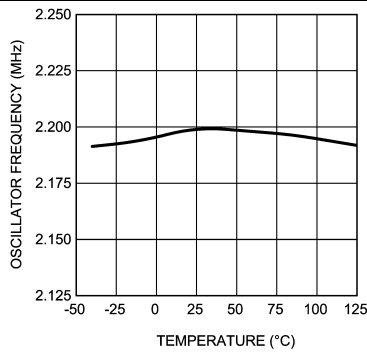


Figure 9. Oscillator Frequency vs Temperature,

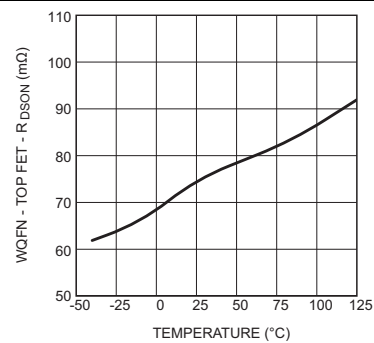


Figure 10. $R_{DS(on)}$ Top Vs Temperature (WQFN-16 Package)

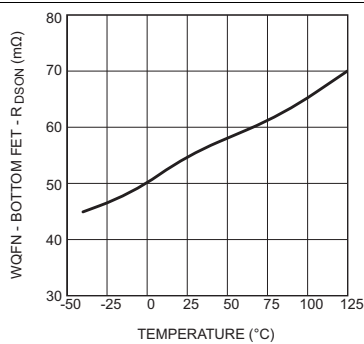


Figure 11. $R_{DS(on)}$ Bottom Vs Temperature (WQFN-16 Package)

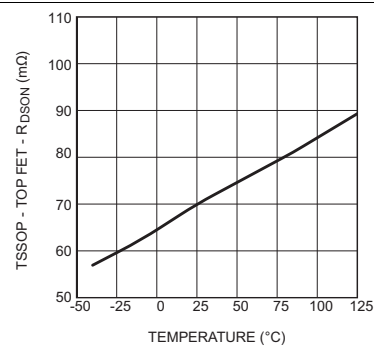


Figure 12. $R_{DS(on)}$ Top Vs Temperature (TSSOP-20 Package)

Typical Characteristics (continued)

All curves taken at $V_{IN} = 5\text{ V}$ with configuration in typical application circuits shown in [Application and Implementation](#). $T_J = 25^\circ\text{C}$, unless otherwise specified.

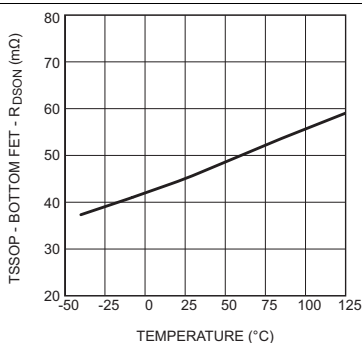


Figure 13. $R_{DS(on)}$ Bottom vs Temperature (TSSOP-20 Package)

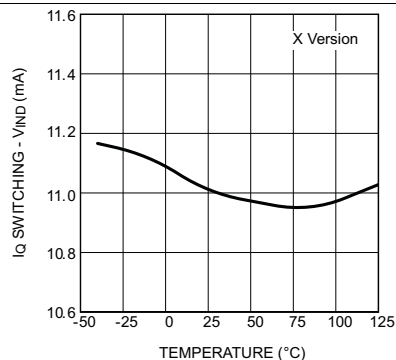


Figure 14. I_Q (Quiescent Current Switching)

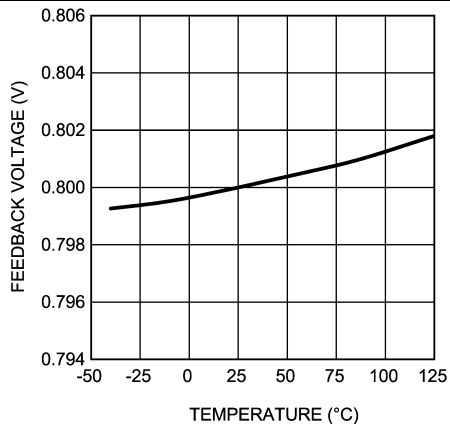
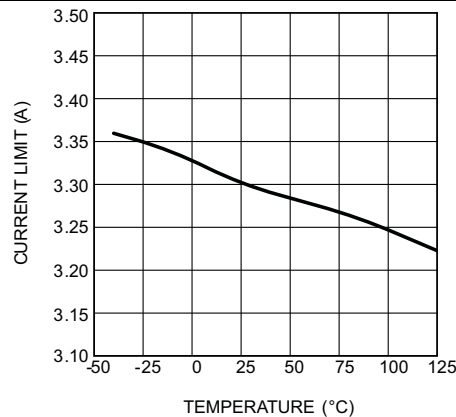


Figure 15. V_{FB} vs Temperature



$V_{IN} = 5\text{ V}$ and 3.3 V

Figure 16. Current Limit vs Temperature

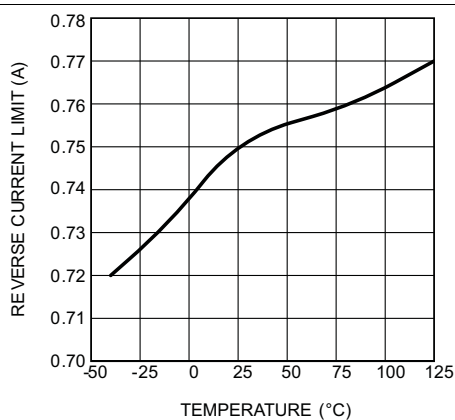


Figure 17. Reverse Current Limit vs Temperature

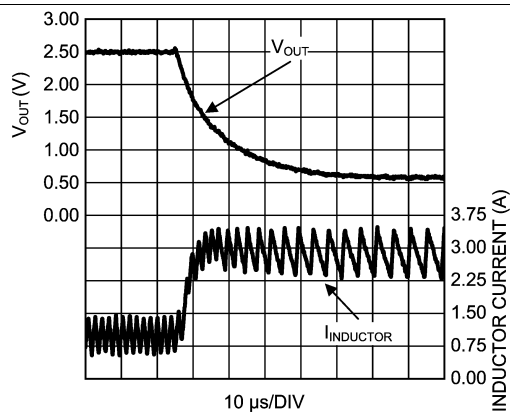


Figure 18. Short Circuit Waveforms

Typical Characteristics (continued)

All curves taken at $V_{IN} = 5\text{ V}$ with configuration in typical application circuits shown in [Application and Implementation](#). $T_J = 25^\circ\text{C}$, unless otherwise specified.

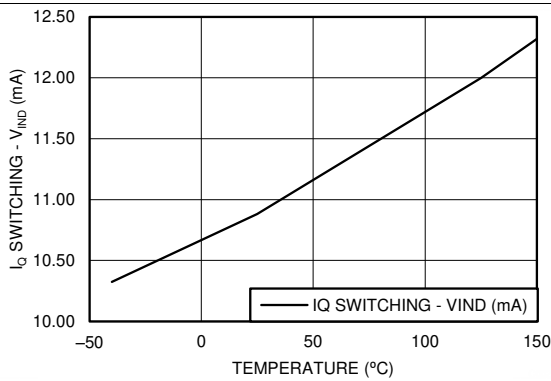


Figure 19. I_Q (Quiescent Current) vs Temperature (Q0 Grade)

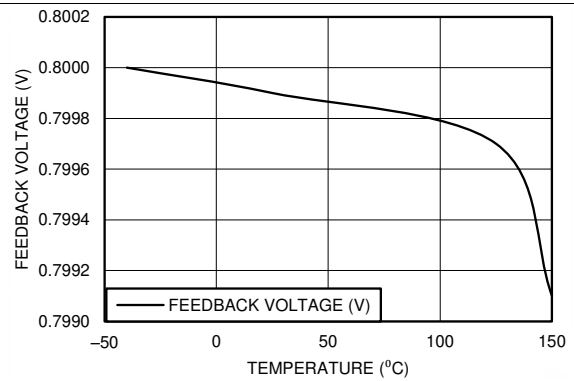


Figure 20. V_{FB} vs Temperature (Q0 Grade)

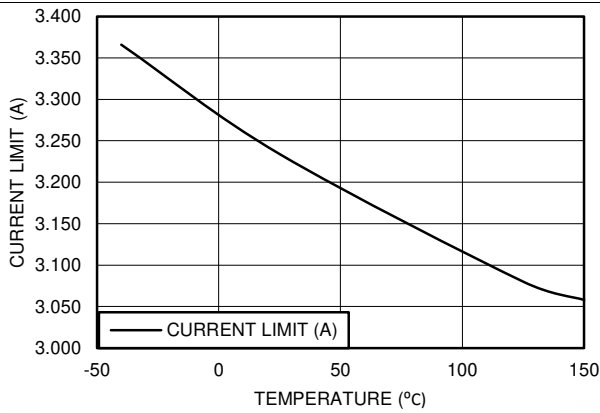


Figure 21. Current Limit vs Temperature (Q0 Grade)

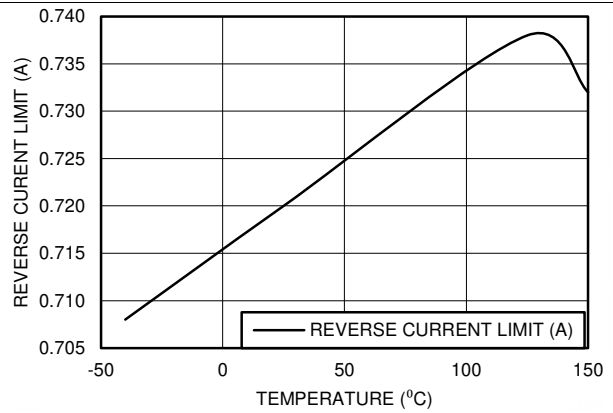


Figure 22. Reverse Current Limit vs Temperature (Q0 Grade)

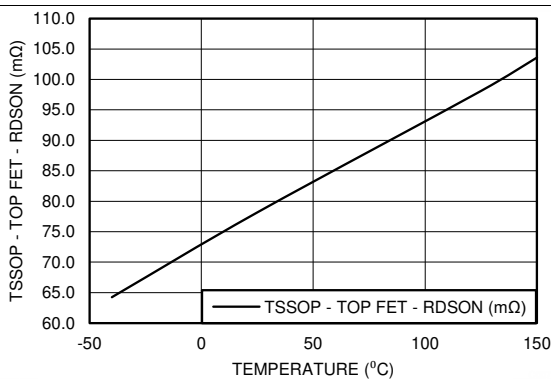


Figure 23. $R_{DS(on)}$ Top vs Temperature (Q0 Grade)

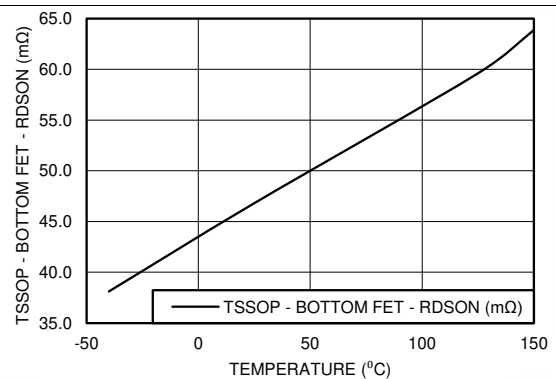


Figure 24. $R_{DS(on)}$ Bottom vs Temperature (Q0 Grade)

Typical Characteristics (continued)

All curves taken at $V_{IN} = 5\text{ V}$ with configuration in typical application circuits shown in *Application and Implementation*. $T_J = 25^\circ\text{C}$, unless otherwise specified.

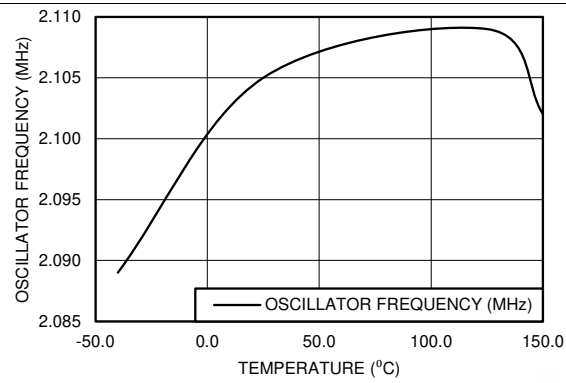


Figure 25. Oscillator Frequency vs Temperature (Q0 Grade)

7 Detailed Description

7.1 Overview

The LM26420-Q1 is a constant frequency dual PWM buck synchronous regulator device that can supply two loads at up to 2 A each. The regulator has a preset switching frequency of 2.2 MHz. This high frequency allows the LM26420-Q1 to operate with small surface mount capacitors and inductors, resulting in a DC/DC converter that requires a minimum amount of board space. The LM26420-Q1 is internally compensated, so it is simple to use and requires few external components. The LM26420-Q1 uses current-mode control to regulate the output voltage. The following operating description of the LM26420-Q1 refers to the [Functional Block Diagram](#), which depicts the functional blocks for one of the two channels, and to the waveforms in [Figure 26](#). The LM26420-Q1 supplies a regulated output voltage by switching the internal PMOS and NMOS switches at constant frequency and variable duty cycle. A switching cycle begins at the falling edge of the reset pulse generated by the internal clock. When this pulse goes low, the output control logic turns on the internal PMOS control switch (TOP Switch). During this on-time, the SW pin voltage (V_{SW}) swings up to approximately V_{IN} , and the inductor current (I_L) increases with a linear slope. I_L is measured by the current sense amplifier, which generates an output proportional to the switch current. The sense signal is summed with the regulator's corrective ramp and compared to the error amplifier's output, which is proportional to the difference between the feedback voltage and V_{REF} . When the PWM comparator output goes high, the TOP Switch turns off and the NMOS switch (BOTTOM Switch) turns on after a short delay, which is controlled by the Dead-Time-Control Logic, until the next switching cycle begins. During the top switch off-time, inductor current discharges through the BOTTOM Switch, which forces the SW pin to swing to ground. The regulator loop adjusts the duty cycle (D) to maintain a constant output voltage.

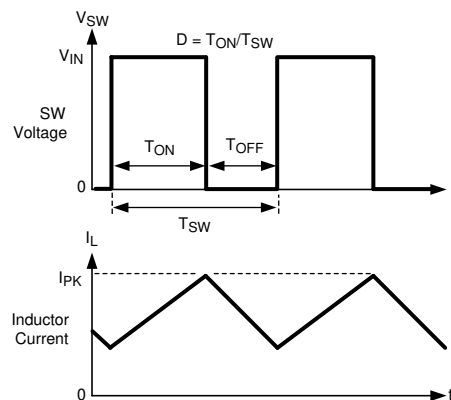
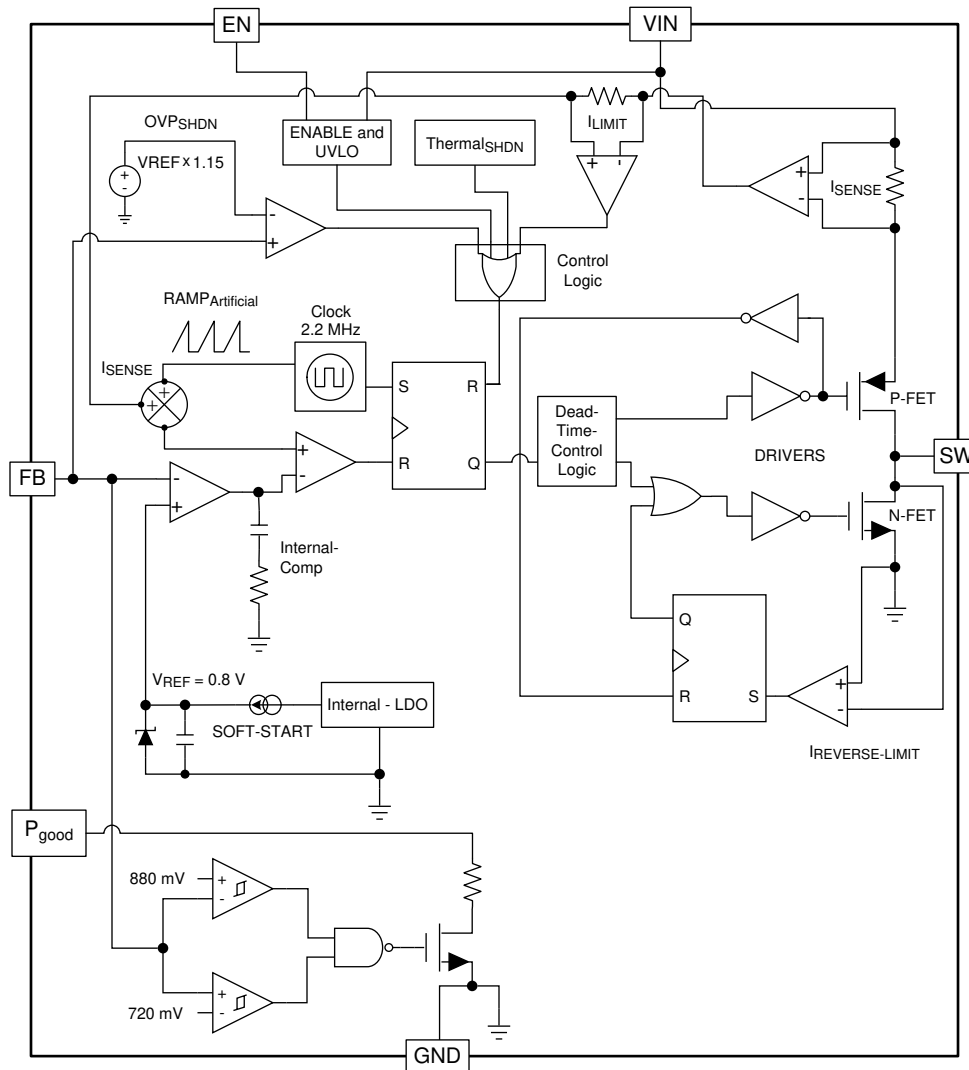


Figure 26. LM26420-Q1 Basic Operation of the PWM Comparator

7.2 Functional Block Diagram



Copyright © 2016, Texas Instruments Incorporated

7.3 Feature Description

7.3.1 Soft Start

This function forces V_{OUT} to increase at a controlled rate during start-up in a controlled fashion, which helps reduce inrush current and eliminate overshoot on V_{OUT} . During soft start, reference voltage of the error amplifier ramps from 0 V to its nominal value of 0.8 V in approximately 600 μ s. If the converter is turned on into a pre-biased load, then the feedback begins ramping from the prebias voltage but at the same rate as if it had started from 0 V. The two outputs start up ratiometrically if enabled at the same time, see [Figure 27](#) below.

Feature Description (continued)

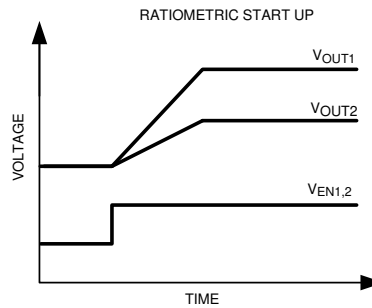


Figure 27. LM26420 Soft-Start

7.3.2 Power Good

The LM26420-Q1 features an open drain power good (PG) pin to sequence external supplies or loads and to provide fault detection. This pin requires an external resistor (R_{PG}) to pull PG high when the output is within the PG tolerance window. Typical values for this resistor range from 10 k Ω to 100 k Ω .

7.3.3 Precision Enable

The LM26420-Q1 features independent precision enables that allow the converter to be controlled by an external signal. This feature allows the device to be sequenced either by an external control signal or the output of another converter in conjunction with a resistor divider network. It can also be set to turn on at a specific input voltage when used in conjunction with a resistor divider network connected to the input voltage. The device is enabled when the EN pin exceeds 1.04 V and has a 150-mV hysteresis.

7.4 Device Functional Modes

7.4.1 Output Overvoltage Protection

The overvoltage comparator compares the FB pin voltage to a voltage that is approximately 15% greater than the internal reference V_{REF} . Once the FB pin voltage goes 15% above the internal reference, the internal PMOS switch is turned off, which allows the output voltage to decrease toward regulation.

7.4.2 Undervoltage Lockout

Undervoltage lockout (UVLO) prevents the LM26420-Q1 from operating until the input voltage exceeds 2.628 V (typical). The UVLO threshold has approximately 330 mV of hysteresis, so the device operates until V_{IN} drops below 2.3 V (typical). Hysteresis prevents the part from turning off during power up if V_{IN} is non-monotonic.

7.4.3 Current Limit

The LM26420-Q1 uses cycle-by-cycle current limiting to protect the output switch. During each switching cycle, a current limit comparator detects if the output switch current exceeds 3.3 A (typical), and turns off the switch until the next switching cycle begins.

7.4.4 Thermal Shutdown

Thermal shutdown limits total power dissipation by turning off the output switch when the device junction temperature exceeds 165°C. After thermal shutdown occurs, the output switch does not turn on until the junction temperature drops to approximately 150°C.

8 Application and Implementation

NOTE

Information in the following applications sections is not part of the TI component specification, and TI does not warrant its accuracy or completeness. TI's customers are responsible for determining suitability of components for their purposes. Customers should validate and test their design implementation to confirm system functionality.

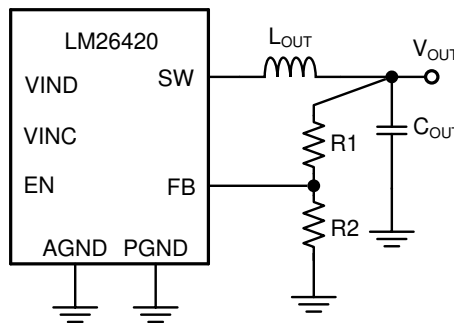
8.1 Application Information

8.1.1 Programming Output Voltage

The output voltage is set using Equation 1 where R2 is connected between the FB pin and GND, and R1 is connected between V_{OUT} and the FB pin. A good value for R2 is 10 kΩ. When designing a unity gain converter (V_{OUT} = 0.8 V), R1 must be between 0 Ω and 100 Ω, and R2 must be on the order of 5 kΩ to 50 kΩ. 10 kΩ is the suggested value where R1 is the top feedback resistor and R2 is the bottom feedback resistor.

$$R1 = \left(\frac{V_{OUT}}{V_{REF}} - 1 \right) \times R2 \tag{1}$$

$$V_{REF} = 0.80V \tag{2}$$



Copyright © 2016, Texas Instruments Incorporated

Figure 28. Programming V_{OUT}

To determine the maximum allowed resistor tolerance, use Equation 3:

$$\sigma = \left(\frac{1}{1 + 2x \frac{1 - \frac{V_{FB}}{V_{OUT}}}{TOL - \phi}} \right)$$

where

- TOL is the set point accuracy of the regulator, is the tolerance of V_{FB}. (3)

Example:

V_{OUT} = 2.5 V, with a setpoint accuracy of ±3.5%.

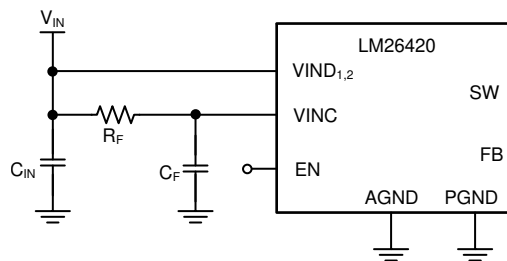
$$\sigma = \left(\frac{1}{1 + 2x \frac{1 - \frac{0.8V}{2.5V}}{3.5\% - 1.5\%}} \right) = 1.4\% \tag{4}$$

Choose 1% resistors. If R2 = 10 kΩ, then R1 is 21.25 kΩ.

Application Information (continued)

8.1.2 VINC Filtering Components

Additional filtering is required between VINC and AGND in order to prevent high frequency noise on VIN from disturbing the sensitive circuitry connected to VINC. A small RC filter can be used on the VINC pin as shown in Figure 29.



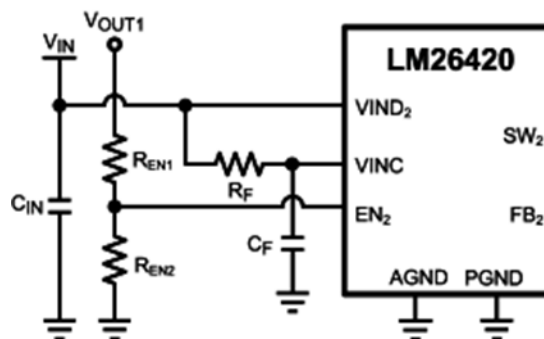
Copyright © 2016, Texas Instruments Incorporated

Figure 29. RC Filter On VINC

In general, R_F is typically between $1\ \Omega$ and $10\ \Omega$ so that the steady state voltage drop across the resistor due to the VINC bias current does not affect the UVLO level. C_F can range from $0.22\ \mu\text{F}$ to $1\ \mu\text{F}$ in X7R or X5R dielectric, where the RC time constant should be at least $2\ \mu\text{s}$. C_F must be placed as close to the device as possible with a direct connection from VINC and AGND.

8.1.3 Using Precision Enable and Power Good

The LM26420-Q1 device precision EN and PG pins address many of the sequencing requirements required in today's challenging applications. Each output can be controlled independently and have independent power good. This allows for a multitude of ways to control each output. Typically, the enables to each output are tied together to the input voltage and the outputs ratiometrically ramp up when the input voltage reaches above UVLO rising threshold. There may be instances where it is desired that the second output (V_{OUT2}) does not turn on until the first output (V_{OUT1}) has reached 90% of the desired setpoint. This is easily achieved with an external resistor divider attached from V_{OUT1} to EN_2 , see Figure 30.



Copyright © 2016, Texas Instruments Incorporated

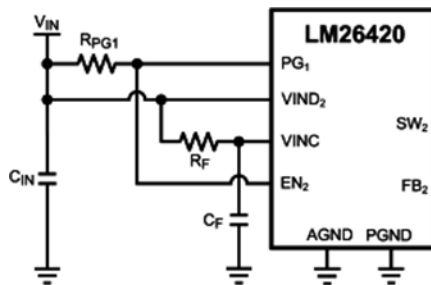
Figure 30. V_{OUT1} Controlling V_{OUT2} with Resistor Divider

If it is not desired to have a resistor divider to control V_{OUT2} with V_{OUT1} , then the PG_1 can be connected to the EN_2 pin to control V_{OUT2} , see Figure 31. R_{PG1} is a pullup resistor on the range of $10\ \text{k}\Omega$ to $100\ \text{k}\Omega$, $50\ \text{k}\Omega$ is the suggested value. This turns on V_{OUT2} when V_{OUT1} is approximately 90% of the programmed output.

NOTE

This also turns off V_{OUT2} when V_{OUT1} is outside the $\pm 10\%$ of the programmed output.

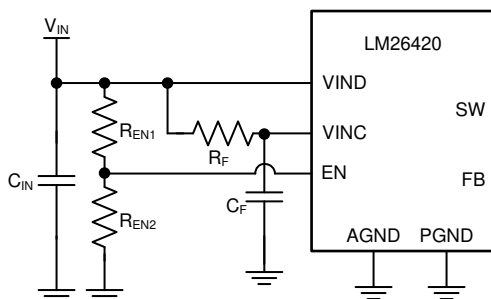
Application Information (continued)



Copyright © 2016, Texas Instruments Incorporated

Figure 31. PG₁ Controlling V_{OUT2}

Another example might be that the output is not to be turned on until the input voltage reaches 90% of desired voltage setpoint. This verifies that the input supply is stable before turning on the output. Select R_{EN1} and R_{EN2} such that the voltage at the EN pin is greater than 1.12 V when reaching the 90% desired set-point.



Copyright © 2016, Texas Instruments Incorporated

Figure 32. V_{OUT} Controlling V_{IN}

The power good feature of the LM26420-Q1 is designed with hysteresis in order to ensure no false power good flags are asserted during large transient. Once power good is asserted high, it is not pulled low until the output voltage exceeds ±14% of the setpoint for a duration of approximately 7.5 μs (typical), see Figure 33.

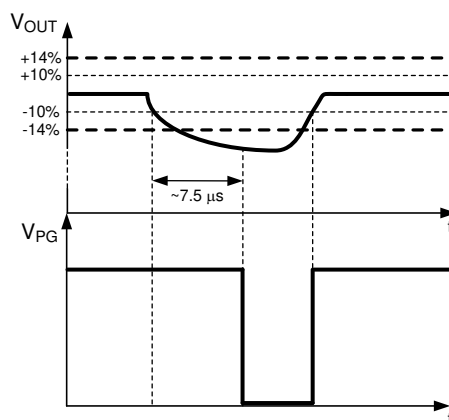


Figure 33. Power Good Hysteresis Operation

Application Information (continued)

8.1.4 Overcurrent Protection

When the switch current reaches the current limit value, it is turned off immediately. This effectively reduces the duty cycle and therefore the output voltage dips and continues to droop until the output load matches the peak current limit inductor current. As the FB voltage drops below 480 mV the operating frequency begins to decrease until it hits full on frequency foldback, which is set to approximately 300 kHz. Frequency foldback helps reduce the thermal stress in the device by reducing the switching losses and to prevent runaway of the inductor current when the output is shorted to ground.

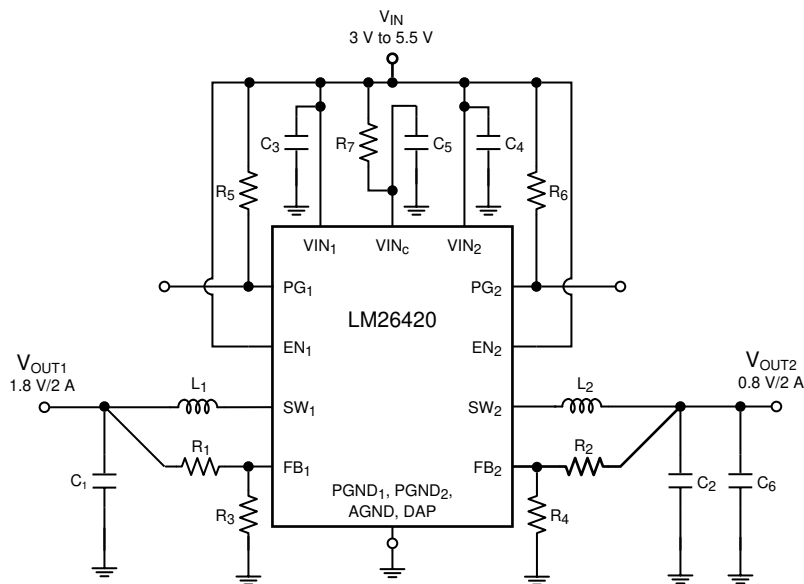
It is important to note that when recovering from an overcurrent condition the converter does not go through the soft-start process. There may be an overshoot due to the sudden removal of the overcurrent fault. The reference voltage at the non-inverting input of the error amplifier always sits at 0.8 V during the overcurrent condition, therefore when the fault is removed the converter bring the FB voltage back to 0.8 V as quickly as possible. The overshoot depend on whether there is a load on the output after the removal of the overcurrent fault, the size of the inductor, and the amount of capacitance on the output. The smaller the inductor and the larger the capacitance on the output the smaller the overshoot.

NOTE

Overcurrent protection for each output is independent.

8.2 Typical Applications

8.2.1 2.2-MHz, 0.8-V Typical High-Efficiency Application Circuit



Copyright © 2016, Texas Instruments Incorporated

Figure 34. LM26420-Q1 (2.2 MHz): $V_{IN} = 5\text{ V}$, $V_{OUT1} = 1.8\text{ V}$ at 2 A and $V_{OUT2} = 0.8\text{ V}$ at 2 A

Typical Applications (continued)

8.2.1.1 Design Requirements

Example requirements for typical synchronous DC/DC converter applications:

Table 1. Design Parameters

| DESIGN PARAMETER | VALUE |
|---------------------|------------------------|
| V_{OUT} | Output voltage |
| V_{IN} (minimum) | Maximum input voltage |
| V_{IN} (maximum) | Minimum input voltage |
| I_{OUT} (maximum) | Maximum output current |
| f_{SW} | Switching frequency |

8.2.1.2 Detailed Design Procedure

8.2.1.2.1 Custom Design With WEBENCH® Tools

[Click here](#) to create a custom design using the LM26420-Q1 device with the WEBENCH® Power Designer.

1. Start by entering the input voltage (V_{IN}), output voltage (V_{OUT}), and output current (I_{OUT}) requirements.
2. Optimize the design for key parameters such as efficiency, footprint, and cost using the optimizer dial.
3. Compare the generated design with other possible solutions from Texas Instruments.

The WEBENCH Power Designer provides a customized schematic along with a list of materials with real-time pricing and component availability.

In most cases, these actions are available:

- Run electrical simulations to see important waveforms and circuit performance
- Run thermal simulations to understand board thermal performance
- Export customized schematic and layout into popular CAD formats
- Print PDF reports for the design, and share the design with colleagues

Get more information about WEBENCH tools at www.ti.com/WEBENCH.

Table 2. Bill Of Materials

| PART ID | PART VALUE | MANUFACTURER | PART NUMBER |
|---------|-------------------------------|--------------|--------------------|
| U1 | 2-A buck regulator | TI | LM26420-Q1 |
| C3, C4 | 15 μ F, 6.3 V, 1206, X5R | TDK | C3216X5R0J156M |
| C1 | 33 μ F, 6.3 V, 1206, X5R | TDK | C3216X5R0J336M |
| C2, C6 | 22 μ F, 6.3 V, 1206, X5R | TDK | C3216X5R0J226M |
| C5 | 0.47 μ F, 10 V, 0805, X7R | Vishay | VJ0805Y474KXQCW1BC |
| L1 | 1.0 μ H, 7.9 A | TDK | RLF7030T-1R0M6R4 |
| L2 | 0.7 μ H, 3.7 A | Coilcraft | LPS4414-701ML |
| R3, R4 | 10.0 k Ω , 0603, 1% | Vishay | CRCW060310K0F |
| R5, R6 | 49.9 k Ω , 0603, 1% | Vishay | CRCW060649K9F |
| R1 | 12.7 k Ω , 0603, 1% | Vishay | CRCW060312K7F |
| R7, R2 | 4.99 Ω , 0603, 1% | Vishay | CRCW06034R99F |

8.2.1.2.2 Inductor Selection

The duty cycle (D) can be approximated as the ratio of output voltage (V_{OUT}) to input voltage (V_{IN}):

$$D = \frac{V_{OUT}}{V_{IN}} \quad (5)$$

The voltage drop across the internal NMOS (SW_BOT) and PMOS (SW_TOP) must be included to calculate a more accurate duty cycle. Calculate D by using the following formulas:

$$D = \frac{V_{OUT} + V_{SW_BOT}}{V_{IN} + V_{SW_BOT} - V_{SW_TOP}} \quad (6)$$

V_{SW_TOP} and V_{SW_BOT} can be approximated by:

$$V_{SW_TOP} = I_{OUT} \times R_{DSON_TOP} \quad (7)$$

$$V_{SW_BOT} = I_{OUT} \times R_{DSON_BOT} \quad (8)$$

The inductor value determines the output ripple voltage. Smaller inductor values decrease the size of the inductor, but increase the output ripple voltage. An increase in the inductor value decreases the output ripple current.

One must ensure that the minimum current limit (2.4 A) is not exceeded, so the peak current in the inductor must be calculated. The peak current (I_{LPK}) in the inductor is calculated by:

$$I_{LPK} = I_{OUT} + \Delta i_L \quad (9)$$

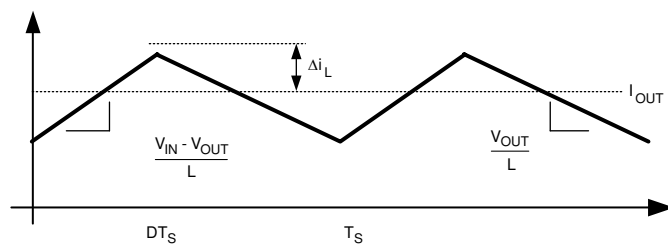


Figure 35. Inductor Current

$$\frac{V_{IN} - V_{OUT}}{L} = \frac{2\Delta i_L}{DT_S} \quad (10)$$

In general,

$$\Delta i_L = 0.1 \times (I_{OUT}) \rightarrow 0.2 \times (I_{OUT}) \quad (11)$$

If $\Delta i_L = 20\%$ of 2 A, the peak current in the inductor is 2.4 A. The minimum ensured current limit over all operating conditions is 2.4 A. One can either reduce Δi_L , or make the engineering judgment that zero margin is safe enough. The typical current limit is 3.3 A.

The LM26420-Q1 operates at frequencies allowing the use of ceramic output capacitors without compromising transient response. Ceramic capacitors allow higher inductor ripple without significantly increasing output ripple voltage. See [Output Capacitor](#) section for more details on calculating output voltage ripple. Now that the ripple current is determined, the inductance is calculated by:

$$L = \left(\frac{DT_S}{2\Delta i_L} \right) \times (V_{IN} - V_{OUT}) \quad (12)$$

Where

$$T_S = \frac{1}{f_S} \quad (13)$$

When selecting an inductor, make sure that it is capable of supporting the peak output current without saturating. Inductor saturation results in a sudden reduction in inductance and prevent the regulator from operating correctly. The peak current of the inductor is used to specify the maximum output current of the inductor and saturation is not a concern due to the exceptionally small delay of the internal current limit signal. Ferrite based inductors are preferred to minimize core losses when operating with the frequencies used by the LM26420-Q1. This presents little restriction because the variety of ferrite-based inductors is huge. Lastly, inductors with lower series resistance (R_{DCR}) provides better operating efficiency. For recommended inductors see [Table 2](#).

8.2.1.2.3 Input Capacitor Selection

The input capacitors provide the AC current needed by the nearby power switch so that current provided by the upstream power supply does not carry a lot of AC content, generating less EMI. To the buck regulator in question, the input capacitor also prevents the drain voltage of the FET switch from dipping when the FET is turned on, therefore providing a healthy line rail for the LM26420-Q1 to work with. Because typically most of the AC current is provided by the local input capacitors, the power loss in those capacitors can be a concern. In the case of the LM26420-Q1 regulator, because the two channels operate 180° out of phase, the AC stress in the input capacitors is less than if they operated in phase. The measure for the AC stress is called input ripple RMS current. It is strongly recommended that at least one 10µF ceramic capacitor be placed next to each of the VIND pins. Bulk capacitors such as electrolytic capacitors or OSCON capacitors can be added to help stabilize the local line voltage, especially during large load transient events. As for the ceramic capacitors, use X7R or X5R types. They maintain most of their capacitance over a wide temperature range. Try to avoid sizes smaller than 0805. Otherwise significant drop in capacitance may be caused by the DC bias voltage. See [Output Capacitor](#) section for more information. The DC voltage rating of the ceramic capacitor should be higher than the highest input voltage.

Capacitor temperature is a major concern in board designs. While using a 10-µF or higher MLCC as the input capacitor is a good starting point, it is a good idea to check the temperature in the real thermal environment to make sure the capacitors are not overheated. Capacitor vendors may provide curves of ripple RMS current vs. temperature rise, based on a designated thermal impedance. In reality, the thermal impedance may be very different. So it is always a good idea to check the capacitor temperature on the board.

Because the duty cycles of the two channels may overlap, calculation of the input ripple RMS current is a little tedious — use [Equation 14](#):

$$I_{\text{rrms}} = \sqrt{(I_1 - I_{\text{av}})^2 d1 + (I_2 - I_{\text{av}})^2 d2 + (I_1 + I_2 - I_{\text{av}})^2 d3}$$

where

- I_1 is Channel 1's maximum output current
- I_2 is Channel 2's maximum output current
- $d1$ is the non-overlapping portion of Channel 1's duty cycle D_1
- $d2$ is the non-overlapping portion of Channel 2's duty cycle D_2
- $d3$ is the overlapping portion of the two duty cycles.
- I_{av} is the average input current

(14)

$I_{\text{av}} = I_1 \times D_1 + I_2 \times D_2$. To quickly determine the values of $d1$, $d2$ and $d3$, refer to the decision tree in [Figure 36](#). To determine the duty cycle of each channel, use $D = V_{\text{OUT}}/V_{\text{IN}}$ for a quick result or use the following equation for a more accurate result.

$$D = \frac{V_{\text{OUT}} + V_{\text{SW_BOT}} + I_{\text{OUT}} \times R_{\text{DC}}}{V_{\text{IN}} + V_{\text{SW_BOT}} - V_{\text{SW_TOP}}}$$

where

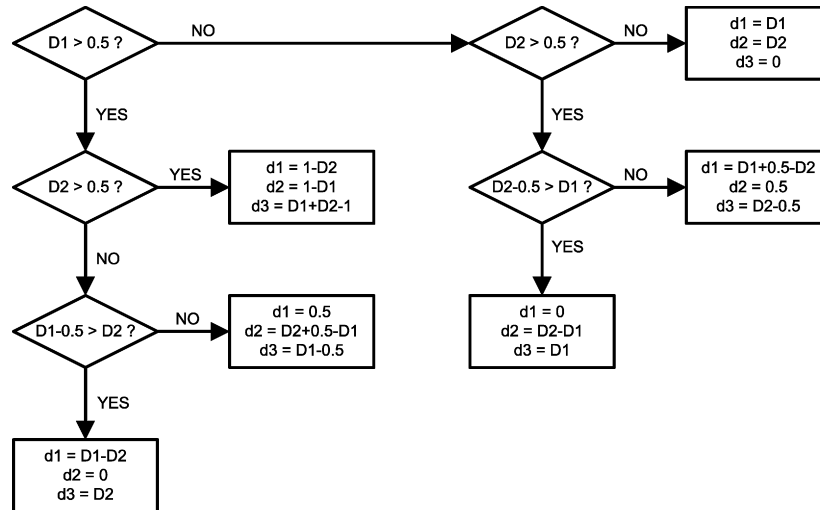
- R_{DC} is the winding resistance of the inductor.

(15)

Example:

$V_{\text{IN}} = 5 \text{ V}$, $V_{\text{OUT1}} = 3.3 \text{ V}$, $I_{\text{OUT1}} = 2 \text{ A}$, $V_{\text{OUT2}} = 1.2 \text{ V}$, $I_{\text{OUT2}} = 1.5 \text{ A}$, $R_{\text{DS}} = 170 \text{ m}\Omega$, $R_{\text{DC}} = 30 \text{ m}\Omega$. (I_{OUT1} is the same as I_1 in the input ripple RMS current equation, I_{OUT2} is the same as I_2).

First, find out the duty cycles. Plug the numbers into the duty cycle equation and we get $D1 = 0.75$, and $D2 = 0.33$. Next, follow the decision tree in [Figure 36](#) to find out the values of $d1$, $d2$ and $d3$. In this case, $d1 = 0.5$, $d2 = D2 + 0.5 - D1 = 0.08$, and $d3 = D1 - 0.5 = 0.25$. $I_{\text{av}} = I_{\text{OUT1}} \times D1 + I_{\text{OUT2}} \times D2 = 1.995 \text{ A}$. Plug all the numbers into the input ripple RMS current equation and the result is $I_{\text{R(rms)}} = 0.77 \text{ A}$.


Figure 36. Determining D1, D2, And D3

8.2.1.2.4 Output Capacitor

The output capacitor is selected based upon the desired output ripple and transient response. The initial current of a load transient is provided mainly by the output capacitor. The output ripple of the converter is approximately:

$$\Delta V_{OUT} = \Delta I_L \left(R_{ESR} + \frac{1}{8 \times F_{SW} \times C_{OUT}} \right) \quad (16)$$

When using MLCCs, the ESR is typically so low that the capacitive ripple may dominate. When this occurs, the output ripple is approximately sinusoidal and 90° phase shifted from the switching action. Given the availability and quality of MLCCs and the expected output voltage of designs using the LM26420-Q1, there is really no need to review any other capacitor technologies. Another benefit of ceramic capacitors is their ability to bypass high frequency noise. A certain amount of switching edge noise couples through parasitic capacitances in the inductor to the output. A ceramic capacitor bypasses this noise while a tantalum capacitor does not. Because the output capacitor is one of the two external components that control the stability of the regulator control loop, most applications require a minimum of 22 μF of output capacitance. Capacitance often, but not always, can be increased significantly with little detriment to the regulator stability. Like the input capacitor, recommended multilayer ceramic capacitors are X7R or X5R types.

8.2.1.2.5 Calculating Efficiency and Junction Temperature

The complete LM26420-Q1 DC/DC converter efficiency can be estimated in the following manner.

$$\eta = \frac{P_{OUT}}{P_{IN}} \quad (17)$$

Or

$$\eta = \frac{P_{OUT}}{P_{OUT} + P_{LOSS}} \quad (18)$$

Calculations for determining the most significant power losses follow here. Other losses totaling less than 2% are not discussed.

Power loss (P_{LOSS}) is the sum of two basic types of losses in the converter: switching and conduction. Conduction losses usually dominate at higher output loads, whereas switching losses remain relatively fixed and dominate at lower output loads. The first step in determining the losses is to calculate the duty cycle (D):

$$D = \frac{V_{OUT} + V_{SW_BOT}}{V_{IN} + V_{SW_BOT} - V_{SW_TOP}} \quad (19)$$

V_{SW_TOP} is the voltage drop across the internal PFET when it is on, and is equal to:

$$V_{SW_TOP} = I_{OUT} \times R_{DS(on)_TOP} \quad (20)$$

V_{SW_BOT} is the voltage drop across the internal NFET when it is on, and is equal to:

$$V_{SW_BOT} = I_{OUT} \times R_{DSON_BOT} \quad (21)$$

If the voltage drop across the inductor (V_{DCR}) is accounted for, the equation becomes:

$$D = \frac{V_{OUT} + V_{SW_BOT} + V_{DCR}}{V_{IN} + V_{SW_BOT} + V_{DCR} - V_{SW_TOP}} \quad (22)$$

Another significant external power loss is the conduction loss in the output inductor. The equation can be simplified to:

$$P_{IND} = I_{OUT}^2 \times R_{DCR} \quad (23)$$

The LM26420-Q1 conduction loss is mainly associated with the two internal FETs:

$$P_{COND_TOP} = (I_{OUT}^2 \times D) \left(1 + \frac{1}{3} \times \left(\frac{\Delta i_L}{I_{OUT}} \right)^2 \right) R_{DSON_TOP}$$

$$P_{COND_BOT} = (I_{OUT}^2 \times (1-D)) \left(1 + \frac{1}{3} \times \left(\frac{\Delta i_L}{I_{OUT}} \right)^2 \right) R_{DSON_BOT} \quad (24)$$

If the inductor ripple current is fairly small, the conduction losses can be simplified to:

$$P_{COND_TOP} = (I_{OUT}^2 \times R_{DSON_TOP} \times D) \quad (25)$$

$$P_{COND_BOT} = (I_{OUT}^2 \times R_{DSON_BOT} \times (1-D)) \quad (26)$$

$$P_{COND} = P_{COND_TOP} + P_{COND_BOT} \quad (27)$$

Switching losses are also associated with the internal FETs. They occur during the switch on and off transition periods, where voltages and currents overlap resulting in power loss. The simplest means to determine this loss is to empirically measuring the rise and fall times (10% to 90%) of the switch at the switch node.

Switching Power Loss is calculated as follows:

$$P_{SWR} = 1/2(V_{IN} \times I_{OUT} \times F_{SW} \times T_{RISE}) \quad (28)$$

$$P_{SWF} = 1/2(V_{IN} \times I_{OUT} \times F_{SW} \times T_{FALL}) \quad (29)$$

$$P_{SW} = P_{SWR} + P_{SWF} \quad (30)$$

Another loss is the power required for operation of the internal circuitry:

$$P_Q = I_Q \times V_{IN} \quad (31)$$

I_Q is the quiescent operating current, and is typically around 8.4 mA ($I_{QVINC} = 4.7$ mA + $I_{QVIND} = 3.7$ mA) for the 550-kHz frequency option.

Due to Dead-Time-Control Logic in the converter, there is a small delay (~4 nsec) between the turn ON and OFF of the TOP and BOTTOM FET. During this time, the body diode of the BOTTOM FET is conducting with a voltage drop of V_{BDIODE} (~0.65 V). This allows the inductor current to circulate to the output, until the BOTTOM FET is turned ON and the inductor current passes through the FET. There is a small amount of power loss due to this body diode conducting and it can be calculated as follows:

$$P_{BDIODE} = 2 \times (V_{BDIODE} \times I_{OUT} \times F_{SW} \times T_{BDIODE}) \quad (32)$$

Typical Application power losses are:

$$P_{LOSS} = \Sigma P_{COND} + P_{SW} + P_{BDIODE} + P_{IND} + P_Q \quad (33)$$

$$P_{INTERNAL} = \Sigma P_{COND} + P_{SW} + P_{BDIODE} + P_Q \quad (34)$$

Table 3. Power Loss Tabulation

| DESIGN PARAMETER | VALUE | DESIGN PARAMETER | VALUE |
|------------------|---------------|------------------|--------|
| V_{IN} | 5 V | V_{OUT} | 1.2 V |
| I_{OUT} | 2 A | P_{OUT} | 2.4 W |
| F_{SW} | 550 kHz | | |
| V_{BDIODE} | 0.65 V | P_{BDIODE} | 5.7 mW |
| I_Q | 8.4 mA | P_Q | 42 mW |
| T_{RISE} | 1.5 nsec | P_{SWR} | 4.1 mW |
| T_{FALL} | 1.5 nsec | P_{SWF} | 4.1 mW |
| R_{DSON_TOP} | 75 m Ω | P_{COND_TOP} | 81 mW |
| R_{DSON_BOT} | 55 m Ω | P_{COND_BOT} | 167 mW |
| IND_{DCR} | 20 m Ω | P_{IND} | 80 mW |
| D | 0.262 | P_{LOSS} | 384 mW |
| η | 86.2% | $P_{INTERNAL}$ | 304 mW |

These calculations assume a junction temperature of 25°C. The R_{DSON} values are larger due to internal heating; therefore, the internal power loss ($P_{INTERNAL}$) must be first calculated to estimate the rise in junction temperature.

8.2.1.3 Application Curves

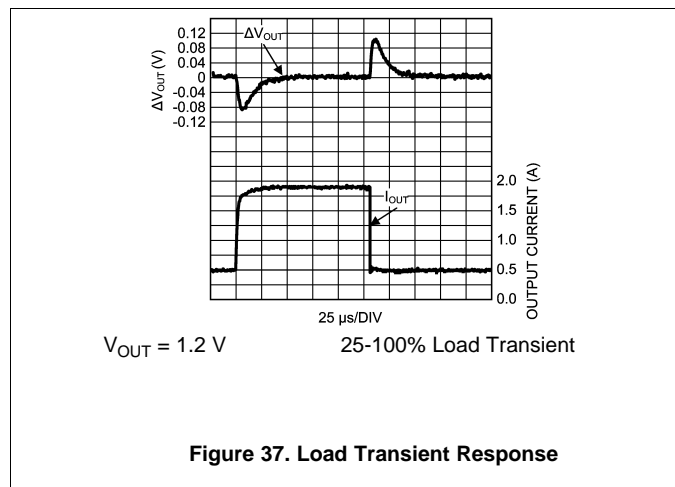


Figure 37. Load Transient Response

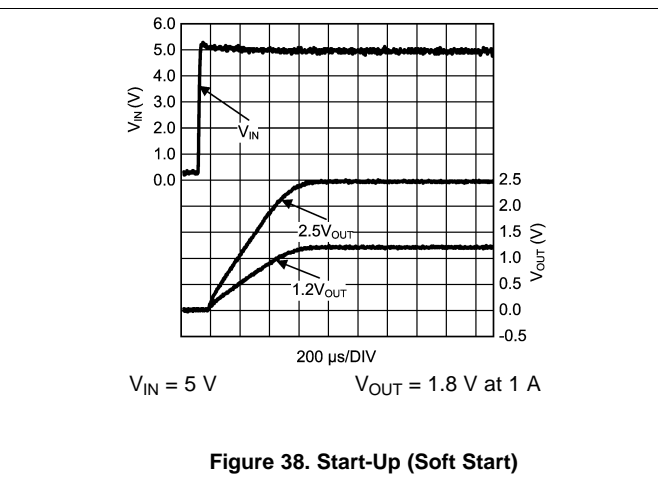


Figure 38. Start-Up (Soft Start)

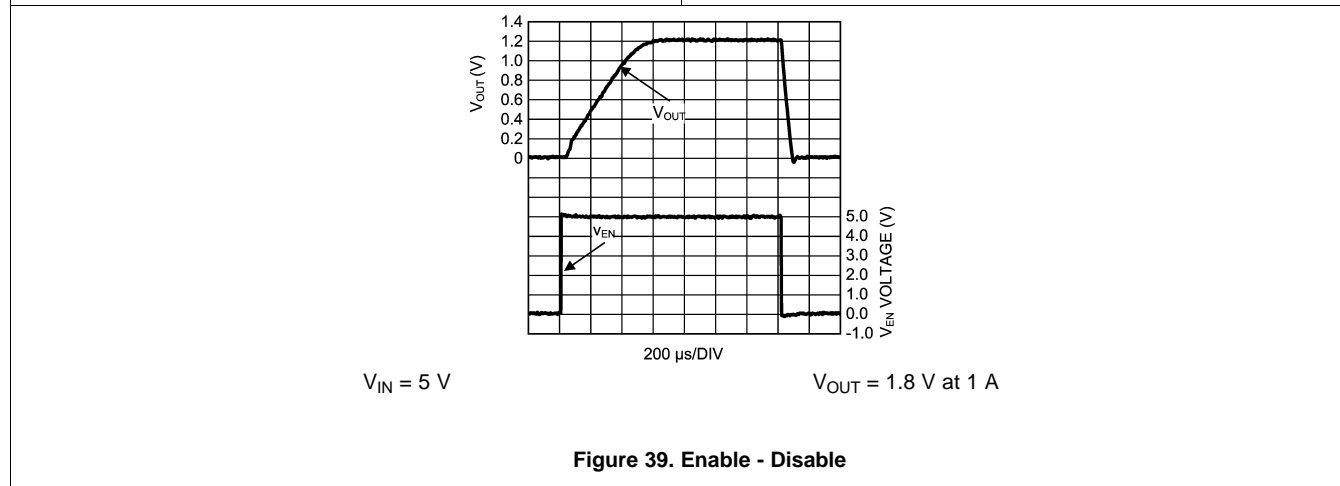
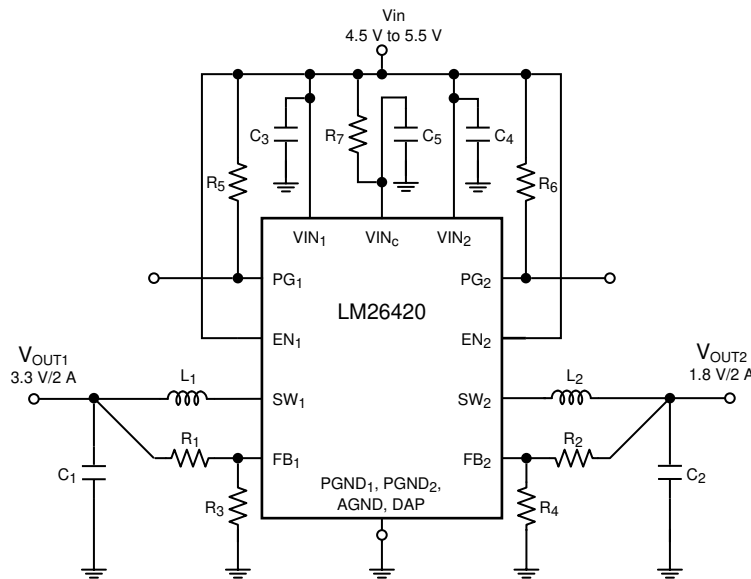


Figure 39. Enable - Disable

8.2.2 2.2-MHz, 1.8-V Typical High-Efficiency Application Circuit



Copyright © 2016, Texas Instruments Incorporated

Figure 40. LM26420-Q1 (2.2 MHz): $V_{IN} = 5\text{ V}$, $V_{OUT1} = 3.3\text{ V}$ at 2 A and $V_{OUT2} = 1.8\text{ V}$ at 2 A

8.2.2.1 Design Requirements

See [Design Requirements](#) above.

8.2.2.2 Detailed Design Procedure

Table 4. Bill Of Materials

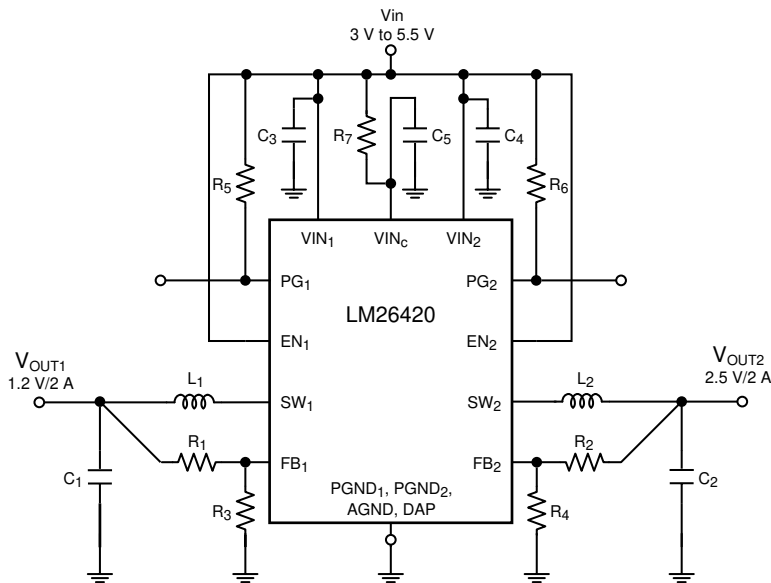
| PART ID | PART VALUE | MANUFACTURER | PART NUMBER |
|---------|--------------------------------------|--------------|--------------------|
| U1 | 2-A Buck Regulator | TI | LM26420-Q1 |
| C3, C4 | 15 μF , 6.3 V, 1206, X5R | TDK | C3216X5R0J156M |
| C1 | 22 μF , 6.3 V, 1206, X5R | TDK | C3216X5R0J226M |
| C2 | 33 μF , 6.3 V, 1206, X5R | TDK | C3216X5R0J336M |
| C5 | 0.47 μF , 10 V, 0805, X7R | Vishay | VJ0805Y474KXQCW1BC |
| L1, L2 | 1.0 μH , 7.9 A | TDK | RLF7030T-1R0M6R4 |
| R3, R4 | 10.0 k Ω , 0603, 1% | Vishay | CRCW060310K0F |
| R2 | 12.7 k Ω , 0603, 1% | Vishay | CRCW060312K7F |
| R5, R6 | 49.9 k Ω , 0603, 1% | Vishay | CRCW060649K9F |
| R1 | 31.6 k Ω , 0603, 1% | Vishay | CRCW060331K6F |
| R7 | 4.99 Ω , 0603, 1% | Vishay | CRCW06034R99F |

Also see [Detailed Design Procedure](#) above.

8.2.2.3 Application Curves

See [Application Curves](#) above.

8.2.3 LM26420-Q12.2-MHz, 2.5-V Typical High-Efficiency Application Circuit



Copyright © 2016, Texas Instruments Incorporated

Figure 41. LM26420-Q1 (2.2 MHz): $V_{IN} = 5\text{ V}$, $V_{OUT1} = 1.2\text{ V}$ at 2 A and $V_{OUT2} = 2.5\text{ V}$ at 2 A

8.2.3.1 Design Requirements

See [Design Requirements](#) above.

8.2.3.2 Detailed Design Procedure

Table 5. Bill Of Materials

| PART ID | PART VALUE | MANUFACTURER | PART NUMBER |
|---------|--------------------------------------|--------------|--------------------|
| U1 | 2-A buck regulator | TI | LM26420-Q1 |
| C3, C4 | 15 μF , 6.3 V, 1206, X5R | TDK | C3216X5R0J156M |
| C1 | 33 μF , 6.3 V, 1206, X5R | TDK | C3216X5R0J336M |
| C2 | 22 μF , 6.3 V, 1206, X5R | TDK | C3216X5R0J226M |
| C5 | 0.47 μF , 10 V, 0805, X7R | Vishay | VJ0805Y474KXQCW1BC |
| L1 | 1.0 μH , 7.9A | TDK | RLF7030T-1R0M6R4 |
| L2 | 1.5 μH , 6.5A | TDK | RLF7030T-1R5M6R1 |
| R3, R4 | 10.0 k Ω , 0603, 1% | Vishay | CRCW060310K0F |
| R1 | 4.99 k Ω , 0603, 1% | Vishay | CRCW06034K99F |
| R5, R6 | 49.9 k Ω , 0603, 1% | Vishay | CRCW060649K9F |
| R2 | 21.5 k Ω , 0603, 1% | Vishay | CRCW060321K5F |
| R7 | 4.99 Ω , 0603, 1% | Vishay | CRCW06034R99F |

Also see [Detailed Design Procedure](#) above.

8.2.3.3 Application Curves

See [Application Curves](#) above.

9 Power Supply Recommendations

The LM26420-Q1 is designed to operate from an input voltage supply range between 3 V and 5.5 V. This input supply must be well regulated and able to withstand maximum input current and maintain a stable voltage. The resistance of the input supply rail must be low enough that an input current transient does not cause a high enough drop at the LM26420-Q1 supply voltage that can cause a false UVLO fault triggering and system reset. If the input supply is located more than a few inches from the LM26420-Q1, additional bulk capacitance may be required in addition to the ceramic bypass capacitors. The amount of bulk capacitance is not critical, but a 47- μ F or 100- μ F electrolytic capacitor is a typical choice.

LM26420-Q1 contains a high side PMOS FET and a low side NMOS FET as shown in [Figure 42](#). The source nodes of the high side PMOS FETs are connected to $VIND_1$ and $VIND_2$ respectively. $VINC$ is the power source for the high and low side gate drivers. Ideally, $VINC$ is connected to $VIND_1$ and $VIND_2$ by an RC filter as detailed in [VINC Filtering Components](#). If $VINC$ is allowed to be lower than $VIND_1$ or $VIND_2$, the high side PMOS FETs may be turned on regardless of the state of the respective gate drivers. Under this condition, shoot through will occur when the low side NMOS FET is turned on and permanent damage may result. When applying input voltage to $VINC$, $VIND_1$ and $VIND_2$, $VINC$ must not be less than $VIND_{1,2} - V_{TH}$ to avoid shoot through and FET damage.

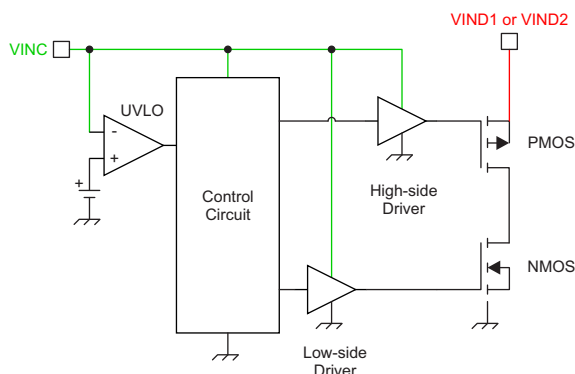


Figure 42. $VINC$, $VIND_1$ and $VIND_2$ Connection

10 Layout

10.1 Layout Guidelines

When planning layout there are a few things to consider when trying to achieve a clean, regulated output. The most important consideration is the close coupling of the GND connections of the input capacitor and the PGND pin. These ground ends must be close to one another and be connected to the GND plane with at least two through-holes. Place these components as close to the device as possible. Next in importance is the location of the GND connection of the output capacitor, which must be near the GND connections of $VIND$ and PGND. There must be a continuous ground plane on the bottom layer of a two-layer board except under the switching node island. The FB pin is a high impedance node, and care must be taken to make the FB trace short to avoid noise pickup and inaccurate regulation. The feedback resistors must be placed as close to the device as possible, with the GND of R1 placed as close to the GND of the device as possible. The VOUT trace to R2 must be routed away from the inductor and any other traces that are switching. High AC currents flow through the VIN, SW, and VOUT traces, so they must be as short and wide as possible. However, making the traces wide increases radiated noise, so the designer must make this trade-off. Radiated noise can be decreased by choosing a shielded inductor. The remaining components must also be placed as close as possible to the device. See [AN-1229 SIMPLE SWITCHER® PCB Layout Guidelines](#) for further considerations, and the LM26420-Q1 demo board as an example of a four-layer layout.

Layout Guidelines (continued)

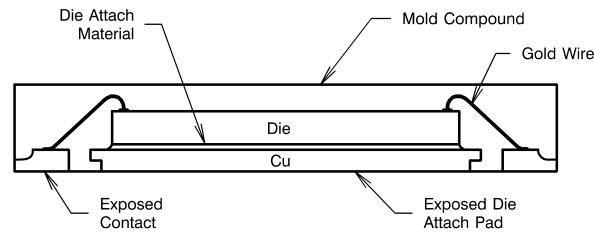


Figure 43. Internal Connection

For certain high power applications, the PCB land may be modified to a *dog bone* shape (see Figure 44). By increasing the size of ground plane, and adding thermal vias, the $R_{\theta JA}$ for the application can be reduced.

10.2 Layout Example

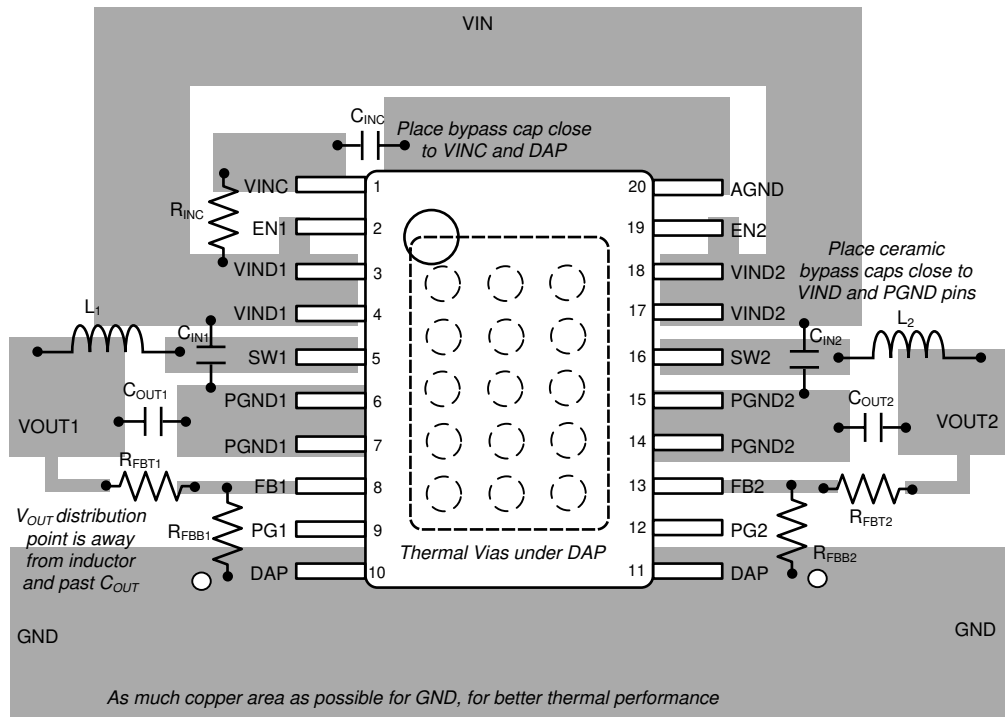


Figure 44. Typical Layout For DC/DC Converter

10.3 Thermal Considerations

T_J = Chip junction temperature

T_A = Ambient temperature

$R_{\theta JC}$ = Thermal resistance from chip junction to device case

$R_{\theta JA}$ = Thermal resistance from chip junction to ambient air

Heat in the LM26420-Q1 due to internal power dissipation is removed through conduction and/or convection.

Conduction: Heat transfer occurs through cross sectional areas of material. Depending on the material, the transfer of heat can be considered to have poor to good thermal conductivity properties (insulator vs conductor).

Heat Transfer goes as:

Thermal Considerations (continued)

Silicon → package → lead frame → PCB

Convection: Heat transfer is by means of airflow. This could be from a fan or natural convection. Natural convection occurs when air currents rise from the hot device to cooler air.

Thermal impedance is defined as:

$$R_{\theta} = \frac{\Delta T}{\text{Power}} \quad (35)$$

Thermal impedance from the silicon junction to the ambient air is defined as:

$$R_{\theta JA} = \frac{T_J - T_A}{P_{\text{INTERNAL}}} \quad (36)$$

The PCB size, weight of copper used to route traces and ground plane, and number of layers within the PCB can greatly affect $R_{\theta JA}$. The type and number of thermal vias can also make a large difference in the thermal impedance. Thermal vias are necessary in most applications. They conduct heat from the surface of the PCB to the ground plane. Five to eight thermal vias must be placed under the exposed pad to the ground plane if the WQFN package is used. Up to 12 thermal vias must be used in the HTSSOP-20 package for optimum heat transfer from the device to the ground plane.

Thermal impedance also depends on the thermal properties of the application's operating conditions (V_{IN} , V_{OUT} , I_{OUT} , etc.), and the surrounding circuitry.

10.3.1 Method 1: Silicon Junction Temperature Determination

To accurately measure the silicon temperature for a given application, two methods can be used. The first method requires the user to know the thermal impedance of the silicon junction to top case temperature.

Some clarification needs to be made before we go any further.

$R_{\theta JC}$ is the thermal impedance from silicon junction to the exposed pad.

$R_{\theta JT}$ is the thermal impedance from top case to the silicon junction.

In this data sheet $R_{\theta JT}$ is used so that it allows the user to measure top case temperature with a small thermocouple attached to the top case.

$R_{\theta JT}$ is approximately 20°C/W for the 16-pin WQFN package with the exposed pad. Knowing the internal dissipation from the efficiency calculation given previously, and the case temperature, which can be empirically measured on the bench we have:

$$R_{\theta JT} = \frac{T_J - T_T}{P_{\text{INTERNAL}}} \quad (37)$$

Therefore:

$$T_J = (R_{\theta JT} \times P_{\text{INTERNAL}}) + T_C \quad (38)$$

From the previous example:

$$T_J = 20^\circ\text{C/W} \times 0.304\text{W} + T_C \quad (39)$$

10.3.2 Thermal Shutdown Temperature Determination

The second method, although more complicated, can give a very accurate silicon junction temperature.

The first step is to determine $R_{\theta JA}$ of the application. The LM26420-Q1 has over-temperature protection circuitry. When the silicon temperature reaches 165°C, the device stops switching. The protection circuitry has a hysteresis of about 15°C. Once the silicon junction temperature has decreased to approximately 150°C, the device starts to switch again. Knowing this, the $R_{\theta JA}$ for any application can be characterized during the early stages of the design one may calculate the $R_{\theta JA}$ by placing the PCB circuit into a thermal chamber. Raise the ambient temperature in the given working application until the circuit enters thermal shutdown. If the SW pin is monitored, it is obvious when the internal FETs stop switching, indicating a junction temperature of 165°C. Knowing the internal power dissipation from the above methods, the junction temperature, and the ambient temperature $R_{\theta JA}$ can be determined.

Thermal Considerations (continued)

$$R_{\theta JA} = \frac{165^{\circ} - T_A}{P_{INTERNAL}} \quad (40)$$

Once this is determined, the maximum ambient temperature allowed for a desired junction temperature can be found.

An example of calculating $R_{\theta JA}$ for an application using the LM26420-Q1 WQFN demonstration board is shown below.

The four layer PCB is constructed using FR4 with 1 oz copper traces. The copper ground plane is on the bottom layer. The ground plane is accessed by eight vias. The board measures 3 cm × 3 cm. It was placed in an oven with no forced airflow. The ambient temperature was raised to 152°C, and at that temperature, the device went into thermal shutdown.

From the previous example:

$$P_{INTERNAL} = 304 \text{ mW} \quad (41)$$

$$R_{\theta JA} = \frac{165^{\circ}\text{C} - 152^{\circ}\text{C}}{304 \text{ mW}} = 42.8^{\circ} \text{ C/W} \quad (42)$$

If the junction temperature was to be kept below 125°C, then the ambient temperature could not go above 112°C.

$$T_J - (R_{\theta JA} \times P_{INTERNAL}) = T_A \quad (43)$$

$$125^{\circ}\text{C} - (42.8^{\circ}\text{C/W} \times 304 \text{ mW}) = 112.0^{\circ}\text{C} \quad (44)$$

11 器件和文档支持

11.1 器件支持

11.1.1 第三方产品免责声明

TI 发布的与第三方产品或服务有关的信息，不能构成与此类产品或服务或保修的适用性有关的认可，不能构成此类产品或服务单独或与任何 TI 产品或服务一起的表示或认可。

11.1.2 使用 WEBENCH® 工具创建定制设计

[请单击此处](#)，使用 LM26420-Q1 器件及其 WEBENCH® 电源设计器创建定制设计。

1. 首先输入输入电压 (V_{IN})、输出电压 (V_{OUT}) 和输出电流 (I_{OUT}) 要求。
2. 使用优化器拨盘优化该设计的关键参数，如效率、尺寸和成本。
3. 将生成的设计与德州仪器 (TI) 的其他可行的解决方案进行比较。

WEBENCH 电源设计器可提供定制原理图以及罗列实时价格和组件供货情况的物料清单。

在多数情况下，可执行以下操作：

- 运行电气仿真，观察重要波形以及电路性能
- 运行热性能仿真，了解电路板热性能
- 将定制原理图和布局方案以常用 CAD 格式导出
- 打印设计方案的 PDF 报告并与同事共享

有关 WEBENCH 工具的详细信息，请访问 www.ti.com.cn/WEBENCH。

11.2 文档支持

11.2.1 相关文档

《AN-1229 SIMPLE SWITCHER® PCB 布局指南》(SNVA054)

11.3 接收文档更新通知

要接收文档更新通知，请导航至 TI.com.cn 上的器件产品文件夹。单击右上角的 *通知我* 进行注册，即可每周接收产品信息更改摘要。有关更改的详细信息，请查看任何已修订文档中包含的修订历史记录。

11.4 社区资源

The following links connect to TI community resources. Linked contents are provided "AS IS" by the respective contributors. They do not constitute TI specifications and do not necessarily reflect TI's views; see TI's [Terms of Use](#).

TI E2E™ Online Community *TI's Engineer-to-Engineer (E2E) Community*. Created to foster collaboration among engineers. At e2e.ti.com, you can ask questions, share knowledge, explore ideas and help solve problems with fellow engineers.

Design Support *TI's Design Support* Quickly find helpful E2E forums along with design support tools and contact information for technical support.

11.5 商标

E2E is a trademark of Texas Instruments.

WEBENCH is a registered trademark of Texas Instruments.

All other trademarks are the property of their respective owners.

11.6 静电放电警告



这些装置包含有限的内置 ESD 保护。存储或装卸时，应将导线一起截短或将装置放置于导电泡棉中，以防止 MOS 门极遭受静电损伤。

11.7 Glossary

[SLYZ022](#) — *TI Glossary*.

This glossary lists and explains terms, acronyms, and definitions.

12 机械、封装和可订购信息

以下页面包含机械、封装和可订购信息。这些信息是指定器件的最新可用数据。数据如有变更，恕不另行通知，且不会对此文档进行修订。如需获取此数据表的浏览器版本，请查阅左侧的导航栏。

PACKAGING INFORMATION

| Orderable Device | Status (1) | Package Type | Package Drawing | Pins | Package Qty | Eco Plan (2) | Lead finish/ Ball material (6) | MSL Peak Temp (3) | Op Temp (°C) | Device Marking (4/5) | Samples |
|--------------------|---------------|--------------|-----------------|------|-------------|-----------------|--------------------------------------|----------------------|--------------|-------------------------|-------------------------|
| LM26420Q0XMH/NOPB | ACTIVE | HTSSOP | PWP | 20 | 73 | RoHS & Green | SN | Level-1-260C-UNLIM | -40 to 125 | LM26420 Q0XMH | Samples |
| LM26420Q0XMHX/NOPB | ACTIVE | HTSSOP | PWP | 20 | 2500 | RoHS & Green | SN | Level-1-260C-UNLIM | -40 to 125 | LM26420 Q0XMH | Samples |
| LM26420Q1XMH/NOPB | ACTIVE | HTSSOP | PWP | 20 | 73 | RoHS & Green | SN | Level-1-260C-UNLIM | -40 to 125 | LM26420 Q1XMH | Samples |
| LM26420Q1XMHX/NOPB | ACTIVE | HTSSOP | PWP | 20 | 2500 | RoHS & Green | SN | Level-1-260C-UNLIM | -40 to 125 | LM26420 Q1XMH | Samples |
| LM26420Q1XSQ/NOPB | ACTIVE | WQFN | RUM | 16 | 1000 | RoHS & Green | SN | Level-3-260C-168 HR | -40 to 125 | L26420Q | Samples |
| LM26420Q1XSQX/NOPB | ACTIVE | WQFN | RUM | 16 | 4500 | RoHS & Green | SN | Level-3-260C-168 HR | -40 to 125 | L26420Q | Samples |

(1) The marketing status values are defined as follows:

ACTIVE: Product device recommended for new designs.

LIFEBUY: TI has announced that the device will be discontinued, and a lifetime-buy period is in effect.

NRND: Not recommended for new designs. Device is in production to support existing customers, but TI does not recommend using this part in a new design.

PREVIEW: Device has been announced but is not in production. Samples may or may not be available.

OBSOLETE: TI has discontinued the production of the device.

(2) **RoHS:** TI defines "RoHS" to mean semiconductor products that are compliant with the current EU RoHS requirements for all 10 RoHS substances, including the requirement that RoHS substance do not exceed 0.1% by weight in homogeneous materials. Where designed to be soldered at high temperatures, "RoHS" products are suitable for use in specified lead-free processes. TI may reference these types of products as "Pb-Free".

RoHS Exempt: TI defines "RoHS Exempt" to mean products that contain lead but are compliant with EU RoHS pursuant to a specific EU RoHS exemption.

Green: TI defines "Green" to mean the content of Chlorine (Cl) and Bromine (Br) based flame retardants meet JS709B low halogen requirements of <=1000ppm threshold. Antimony trioxide based flame retardants must also meet the <=1000ppm threshold requirement.

(3) MSL, Peak Temp. - The Moisture Sensitivity Level rating according to the JEDEC industry standard classifications, and peak solder temperature.

(4) There may be additional marking, which relates to the logo, the lot trace code information, or the environmental category on the device.

(5) Multiple Device Markings will be inside parentheses. Only one Device Marking contained in parentheses and separated by a "~" will appear on a device. If a line is indented then it is a continuation of the previous line and the two combined represent the entire Device Marking for that device.

⁽⁶⁾ Lead finish/Ball material - Orderable Devices may have multiple material finish options. Finish options are separated by a vertical ruled line. Lead finish/Ball material values may wrap to two lines if the finish value exceeds the maximum column width.

Important Information and Disclaimer:The information provided on this page represents TI's knowledge and belief as of the date that it is provided. TI bases its knowledge and belief on information provided by third parties, and makes no representation or warranty as to the accuracy of such information. Efforts are underway to better integrate information from third parties. TI has taken and continues to take reasonable steps to provide representative and accurate information but may not have conducted destructive testing or chemical analysis on incoming materials and chemicals. TI and TI suppliers consider certain information to be proprietary, and thus CAS numbers and other limited information may not be available for release.

In no event shall TI's liability arising out of such information exceed the total purchase price of the TI part(s) at issue in this document sold by TI to Customer on an annual basis.

TAPE AND REEL INFORMATION

QUADRANT ASSIGNMENTS FOR PIN 1 ORIENTATION IN TAPE


*All dimensions are nominal

| Device | Package Type | Package Drawing | Pins | SPQ | Reel Diameter (mm) | Reel Width W1 (mm) | A0 (mm) | B0 (mm) | K0 (mm) | P1 (mm) | W (mm) | Pin1 Quadrant |
|--------------------|--------------|-----------------|------|------|--------------------|--------------------|---------|---------|---------|---------|--------|---------------|
| LM26420Q0XMHX/NOPB | HTSSOP | PWP | 20 | 2500 | 330.0 | 16.4 | 6.95 | 7.1 | 1.6 | 8.0 | 16.0 | Q1 |
| LM26420Q1XMHX/NOPB | HTSSOP | PWP | 20 | 2500 | 330.0 | 16.4 | 6.95 | 7.1 | 1.6 | 8.0 | 16.0 | Q1 |
| LM26420Q1XSQ/NOPB | WQFN | RUM | 16 | 1000 | 178.0 | 12.4 | 4.3 | 4.3 | 1.3 | 8.0 | 12.0 | Q1 |
| LM26420Q1XSQX/NOPB | WQFN | RUM | 16 | 4500 | 330.0 | 12.4 | 4.3 | 4.3 | 1.3 | 8.0 | 12.0 | Q1 |

TAPE AND REEL BOX DIMENSIONS



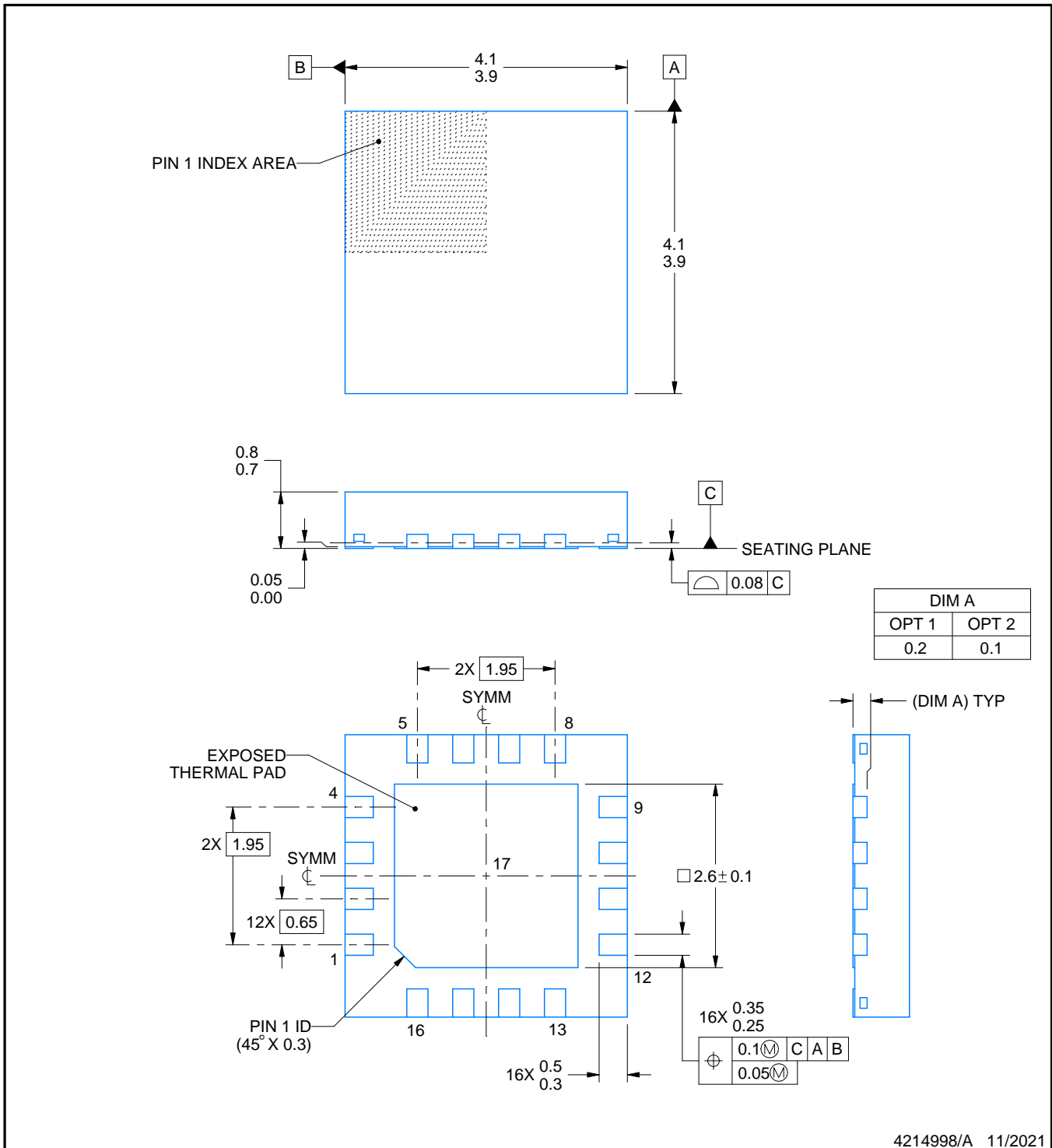
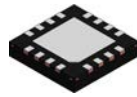
*All dimensions are nominal

| Device | Package Type | Package Drawing | Pins | SPQ | Length (mm) | Width (mm) | Height (mm) |
|--------------------|--------------|-----------------|------|------|-------------|------------|-------------|
| LM26420Q0XMHX/NOPB | HTSSOP | PWP | 20 | 2500 | 367.0 | 367.0 | 35.0 |
| LM26420Q1XMHX/NOPB | HTSSOP | PWP | 20 | 2500 | 356.0 | 356.0 | 35.0 |
| LM26420Q1XSQ/NOPB | WQFN | RUM | 16 | 1000 | 208.0 | 191.0 | 35.0 |
| LM26420Q1XSQX/NOPB | WQFN | RUM | 16 | 4500 | 356.0 | 356.0 | 35.0 |

TUBE


*All dimensions are nominal

| Device | Package Name | Package Type | Pins | SPQ | L (mm) | W (mm) | T (μm) | B (mm) |
|-------------------|--------------|--------------|------|-----|--------|--------|--------|--------|
| LM26420Q0XMH/NOPB | PWP | HTSSOP | 20 | 73 | 495 | 8 | 2514.6 | 4.06 |
| LM26420Q1XMH/NOPB | PWP | HTSSOP | 20 | 73 | 495 | 8 | 2514.6 | 4.06 |



4214998/A 11/2021

NOTES:

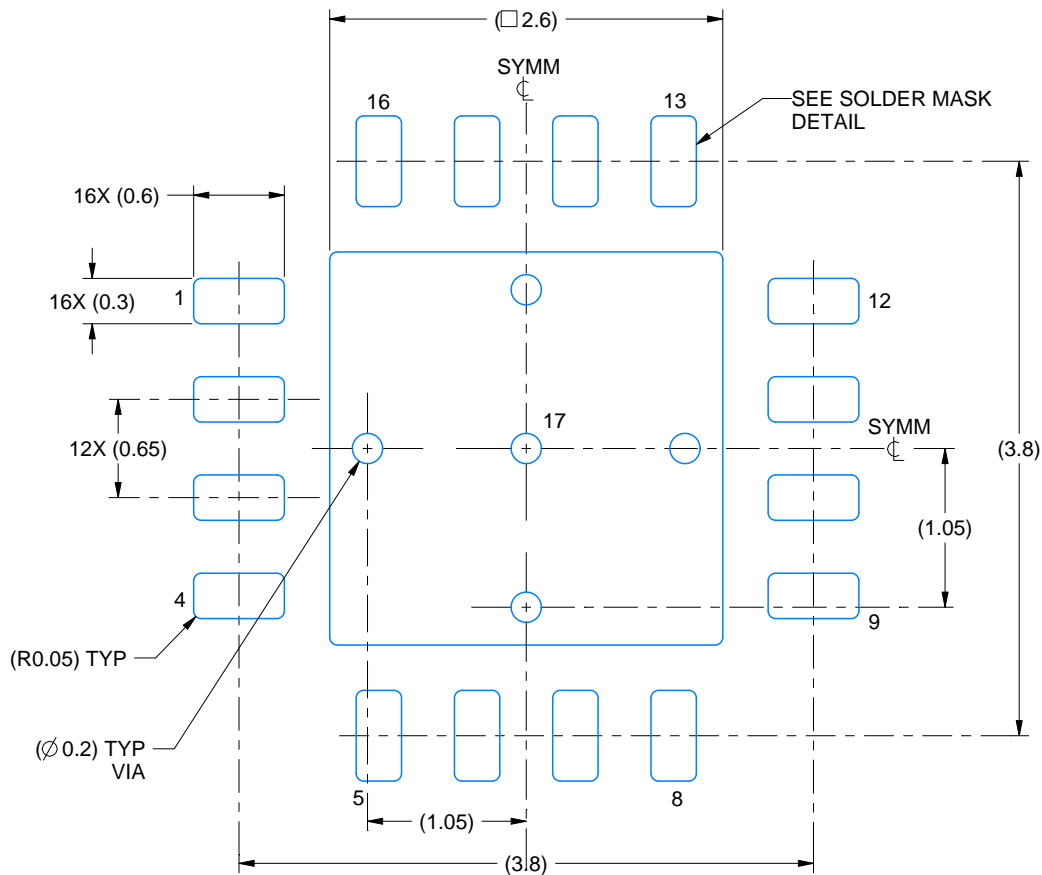
1. All linear dimensions are in millimeters. Any dimensions in parenthesis are for reference only. Dimensioning and tolerancing per ASME Y14.5M.
2. This drawing is subject to change without notice.
3. The package thermal pad must be soldered to the printed circuit board for thermal and mechanical performance.

EXAMPLE BOARD LAYOUT

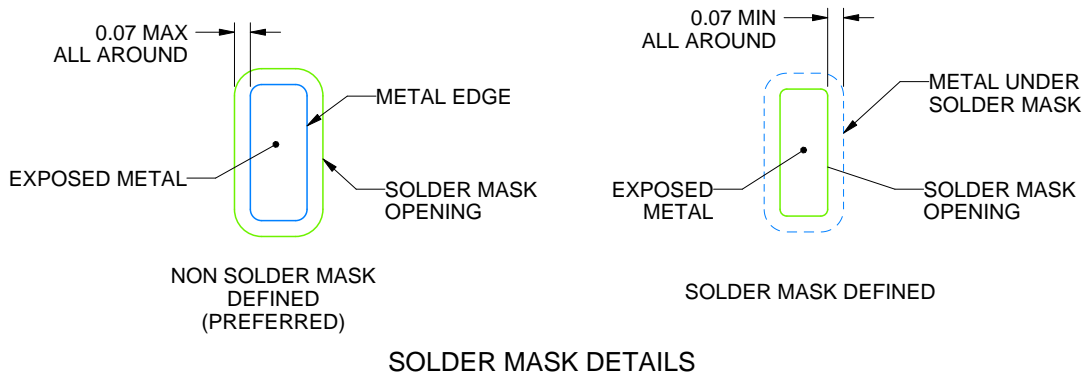
RUM0016A

WQFN - 0.8 mm max height

PLASTIC QUAD FLATPACK - NO LEAD



LAND PATTERN EXAMPLE
EXPOSED METAL SHOWN
SCALE: 20X



SOLDER MASK DETAILS

4214998/A 11/2021

NOTES: (continued)

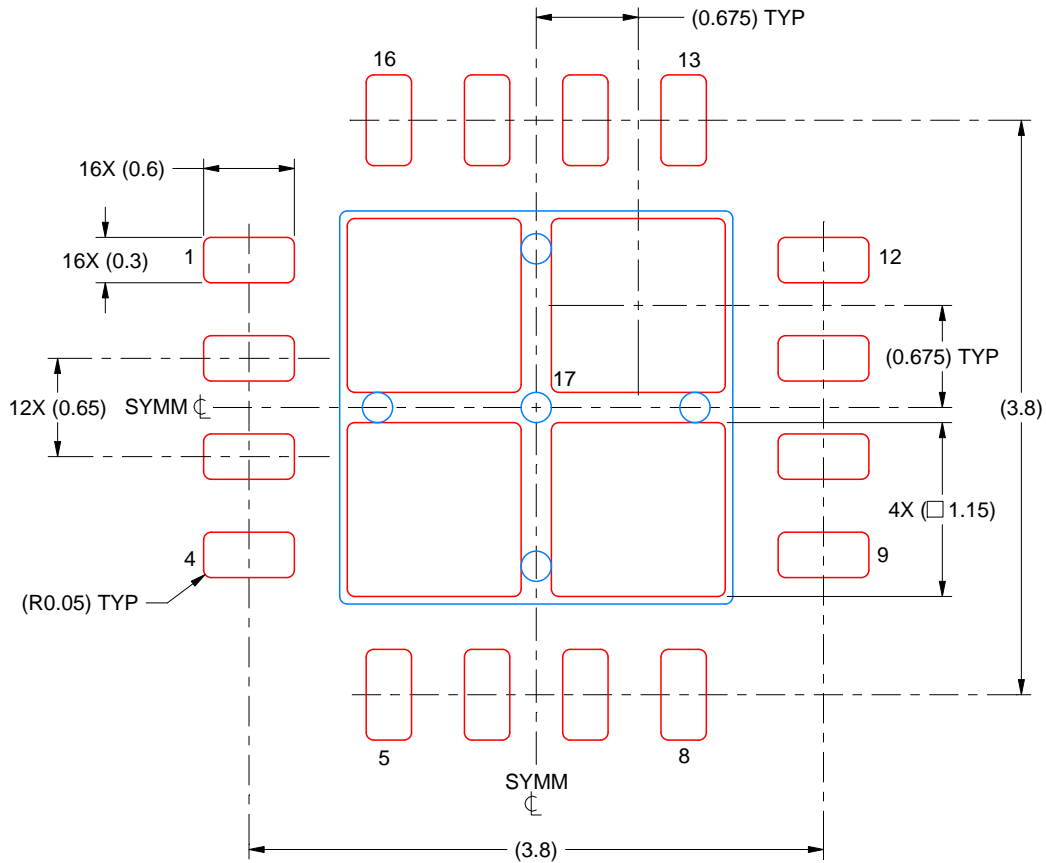
- This package is designed to be soldered to a thermal pad on the board. For more information, see Texas Instruments literature number SLUA271 (www.ti.com/lit/sluea271).
- Vias are optional depending on application, refer to device data sheet. If any vias are implemented, refer to their locations shown on this view. It is recommended that vias under paste be filled, plugged or tented.

EXAMPLE STENCIL DESIGN

RUM0016A

WQFN - 0.8 mm max height

PLASTIC QUAD FLATPACK - NO LEAD



SOLDER PASTE EXAMPLE
BASED ON 0.125 MM THICK STENCIL
SCALE: 20X

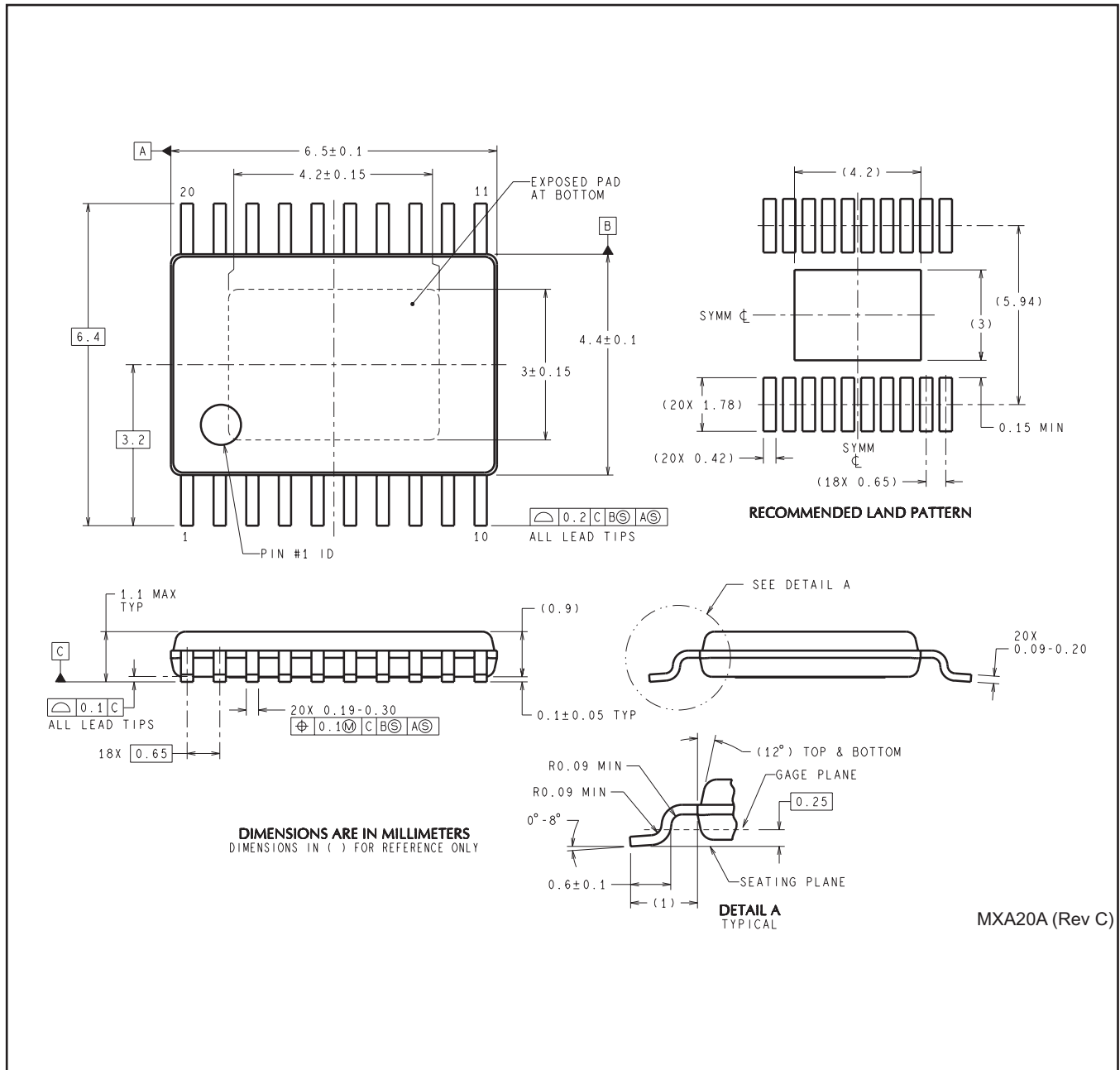
EXPOSED PAD 17
78% PRINTED SOLDER COVERAGE BY AREA UNDER PACKAGE

4214998/A 11/2021

NOTES: (continued)

6. Laser cutting apertures with trapezoidal walls and rounded corners may offer better paste release. IPC-7525 may have alternate design recommendations.

PWP0020A



重要声明和免责声明

TI“按原样”提供技术和可靠性数据（包括数据表）、设计资源（包括参考设计）、应用或其他设计建议、网络工具、安全信息和其他资源，不保证没有瑕疵且不做任何明示或暗示的担保，包括但不限于对适销性、某特定用途方面的适用性或不侵犯任何第三方知识产权的暗示担保。

这些资源可供使用 TI 产品进行设计的熟练开发人员使用。您将自行承担以下全部责任：(1) 针对您的应用选择合适的 TI 产品，(2) 设计、验证并测试您的应用，(3) 确保您的应用满足相应标准以及任何其他功能安全、信息安全、监管或其他要求。

这些资源如有变更，恕不另行通知。TI 授权您仅可将这些资源用于研发本资源所述的 TI 产品的应用。严禁对这些资源进行其他复制或展示。您无权使用任何其他 TI 知识产权或任何第三方知识产权。您应全额赔偿因在这些资源的使用中对 TI 及其代表造成的任何索赔、损害、成本、损失和债务，TI 对此概不负责。

TI 提供的产品受 [TI 的销售条款](#) 或 [ti.com](#) 上其他适用条款/TI 产品随附的其他适用条款的约束。TI 提供这些资源并不会扩展或以其他方式更改 TI 针对 TI 产品发布的适用的担保或担保免责声明。

TI 反对并拒绝您可能提出的任何其他或不同的条款。

邮寄地址：Texas Instruments, Post Office Box 655303, Dallas, Texas 75265

Copyright © 2022，德州仪器 (TI) 公司