

## LPC660 Low Power CMOS Quad Operational Amplifier

Check for Samples: [LPC660](#)

### FEATURES

- Rail-to-rail output swing
- Micropower operation: (1 mW)
- Specified for 100 k $\Omega$  and 5 k $\Omega$  loads
- High voltage gain: 120 dB
- Low input offset voltage: 3 mV
- Low offset voltage drift: 1.3  $\mu\text{V}/^\circ\text{C}$
- Ultra low input bias current: 2 fA
- Input common-mode includes V<sup>-</sup>
- Operation range from +5V to +15V
- Low distortion: 0.01% at 1 kHz
- Slew rate: 0.11 V/ $\mu\text{s}$
- Full military temp. range available

### APPLICATIONS

- High-impedance buffer
- Precision current-to-voltage converter
- Long-term integrator
- High-impedance preamplifier
- Active filter
- Sample-and-Hold circuit
- Peak detector

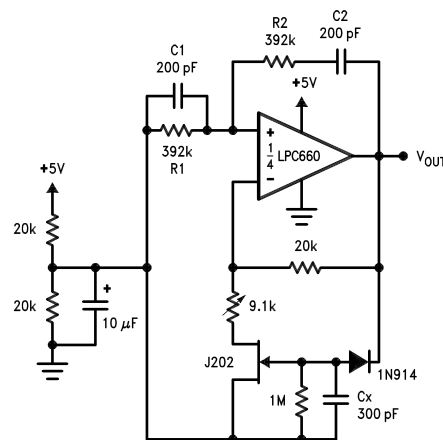
### Application Circuit

### DESCRIPTION

The LPC660 CMOS Quad operational amplifier is ideal for operation from a single supply. It features a wide range of operating voltages from +5V to +15V and features rail-to-rail output swing in addition to an input common-mode range that includes ground. Performance limitations that have plagued CMOS amplifiers in the past are not a problem with this design. Input  $V_{OS}$ , drift, and broadband noise as well as voltage gain (into 100 k $\Omega$  and 5 k $\Omega$ ) are all equal to or better than widely accepted bipolar equivalents, while the power supply requirement is typically less than 1 mW.

This chip is built with National's advanced Double-Poly Silicon-Gate CMOS process.

See the LPC662 datasheet for a Dual CMOS operational amplifier and LPC661 datasheet for a single CMOS operational amplifier with these same features.



Oscillator frequency is determined by R1, R2, C1, and C2:

$$f_{OSC} = 1/2\pi RC$$

where  $R = R1 = R2$  and  $C = C1 = C2$ .

**Figure 1. Sine-Wave Oscillator**



Please be aware that an important notice concerning availability, standard warranty, and use in critical applications of Texas Instruments semiconductor products and disclaimers thereto appears at the end of this data sheet.

All trademarks are the property of their respective owners.



These devices have limited built-in ESD protection. The leads should be shorted together or the device placed in conductive foam during storage or handling to prevent electrostatic damage to the MOS gates.

### Absolute Maximum Ratings <sup>(1)</sup>

Differential Input Voltage	±Supply Voltage
Supply Voltage ( $V^+ - V^-$ )	16V
Output Short Circuit to $V^+$	(2)
Output Short Circuit to $V^-$	(3)
Lead Temperature	
(Soldering, 10 sec.)	260°C
Storage Temp. Range	-65°C to +150°C
Junction Temperature <sup>(4)</sup>	150°C
ESD Rating	
(C = 100 pF, R = 1.5 kΩ)	1000V
Power Dissipation	(4)
Current at Input Pin	±5 mA
Current at Output Pin	±18 mA
Voltage at Input/Output Pin	( $V^+$ ) + 0.3V, ( $V^-$ ) - 0.3V
Current at Power Supply Pin	35 mA

- (1) Absolute Maximum Ratings indicate limits beyond which damage to the device may occur. Operating Ratings indicate conditions for which the device is intended to be functional, but do not guarantee specific performance limits. For guaranteed specifications and test conditions, see the Electrical Characteristics. The guaranteed specifications apply only for the test conditions listed.
- (2) Do not connect output to  $V^+$  when  $V^+$  is greater than 13V or reliability may be adversely affected.
- (3) Applies to both single supply and split supply operation. Continuous short circuit operation at elevated ambient temperature and/or multiple Op Amp shorts can result in exceeding the maximum allowed junction temperature of 150°C. Output currents in excess of ±30 mA over long term may adversely affect reliability.
- (4) The maximum power dissipation is a function of  $T_{J(max)}$ ,  $\theta_{JA}$  and  $T_A$ . The maximum allowable power dissipation at any ambient temperature is  $P_D = (T_{J(max)} - T_A) \theta_{JA}$ .

### Operating Ratings <sup>(1)</sup>

Temperature Range	
LPC660AM	-55°C ≤ $T_J$ ≤ +125°C
LPC660AI	-40°C ≤ $T_J$ ≤ +85°C
LPC660I	-40°C ≤ $T_J$ ≤ +85°C
Supply Range	4.75V to 15.5V
Power Dissipation	(2)
Thermal Resistance ( $\theta_{JA}$ ), <sup>(3)</sup>	
14-Pin Ceramic DIP	90°C/W
14-Pin Molded DIP	85°C/W
14-Pin SOIC	115°C/W
14-Pin Side Brazed Ceramic DIP	90°C/W

- (1) Absolute Maximum Ratings indicate limits beyond which damage to the device may occur. Operating Ratings indicate conditions for which the device is intended to be functional, but do not guarantee specific performance limits. For guaranteed specifications and test conditions, see the Electrical Characteristics. The guaranteed specifications apply only for the test conditions listed.
- (2) For operating at elevated temperatures, the device must be derated based on the thermal resistance  $\theta_{JA}$  with  $P_D = (T_J - T_A) / \theta_{JA}$ .
- (3) All numbers apply for packages soldered directly into a PC board.

## DC Electrical Characteristics

Unless otherwise specified, all limits guaranteed for  $T_J = 25^\circ\text{C}$ . **Boldface** limits apply at the temperature extremes.  $V^+ = 5\text{V}$ ,  $V^- = 0\text{V}$ ,  $V_{\text{CM}} = 1.5\text{V}$ ,  $V_O = 2.5\text{V}$ , and  $R_L > 1\text{M}$  unless otherwise specified.

Parameter	Conditions	Typ	LPC660AM	LPC660AI	LPC660I	Units
			LPC660AMJ/883			
			Limit <sup>(1) (2)</sup>	Limit <sup>(1)</sup>	Limit <sup>(1)</sup>	
Input Offset Voltage		1	3	3	6	mV
			<b>3.5</b>	<b>3.3</b>	<b>6.3</b>	max
Input Offset Voltage Average Drift		1.3				$\mu\text{V}/^\circ\text{C}$
Input Bias Current		0.002	20			pA
			<b>100</b>	<b>4</b>	<b>4</b>	max
Input Offset Current		0.001	20			pA
			<b>100</b>	<b>2</b>	<b>2</b>	max
Input Resistance		>1				Tera $\Omega$
Common Mode Rejection Ratio	$0\text{V} \leq V_{\text{CM}} \leq 12.0\text{V}$ $V^+ = 15\text{V}$	83	70	70	63	dB
			<b>68</b>	<b>68</b>	<b>61</b>	min
Positive Power Supply Rejection Ratio	$5\text{V} \leq V^+ \leq 15\text{V}$	83	70	70	63	dB
			<b>68</b>	<b>68</b>	<b>61</b>	min
Negative Power Supply Rejection Ratio	$0\text{V} \leq V^- \leq -10\text{V}$	94	84	84	74	dB
			<b>82</b>	<b>83</b>	<b>73</b>	min
Input Common Mode Voltage Range	$V^+ = 5\text{V} \text{ \& \ } 15\text{V}$ For CMRR > 50 dB	-0.4	-0.1	-0.1	-0.1	V
			<b>0</b>	<b>0</b>	<b>0</b>	max
		$V^+ - 1.9$	$V^+ - 2.3$	$V^+ - 2.3$	$V^+ - 2.3$	V
			<b><math>V^+ - 2.6</math></b>	<b><math>V^+ - 2.5</math></b>	<b><math>V^+ - 2.5</math></b>	min
Large Signal	$R_L = 100\text{ k}\Omega$ <sup>(3)</sup>	1000	400	400	300	V/mV
Voltage Gain	Sourcing	500	<b>250</b>	<b>300</b>	<b>200</b>	min
			180	180	90	V/mV
			<b>70</b>	<b>120</b>	<b>70</b>	min
	$R_L = 5\text{ k}\Omega$ <sup>(3)</sup>	1000	200	200	100	V/mV
			<b>150</b>	<b>160</b>	<b>80</b>	min
			Sinking	250	100	100
<b>35</b>	<b>60</b>	<b>40</b>			min	

(1) Limits are guaranteed by testing or correlation.

(2) A military RETS electrical test specification is available on request. At the time of printing, the LPC660AMJ/883 RETS specification complied fully with the **boldface** limits in this column. The LPC660AMJ/883 may also be procured to a Standard Military Drawing specification.

(3)  $V^+ = 15\text{V}$ ,  $V_{\text{CM}} = 7.5\text{V}$  and  $R_L$  connected to  $7.5\text{V}$ . For Sourcing tests,  $7.5\text{V} \leq V_O \leq 11.5\text{V}$ . For Sinking tests,  $2.5\text{V} \leq V_O \leq 7.5\text{V}$ .

## DC Electrical Characteristics (continued)

Unless otherwise specified, all limits guaranteed for  $T_J = 25^\circ\text{C}$ . **Boldface** limits apply at the temperature extremes.  $V^+ = 5\text{V}$ ,  $V^- = 0\text{V}$ ,  $V_{\text{CM}} = 1.5\text{V}$ ,  $V_O = 2.5\text{V}$ , and  $R_L > 1\text{M}$  unless otherwise specified.

Parameter	Conditions	Typ	LPC660AM	LPC660AI	LPC660I	Units	
			LPC660AMJ/883				
			Limit <sup>(1)</sup> <sup>(2)</sup>	Limit <sup>(1)</sup>	Limit <sup>(1)</sup>		
Output Swing	$V^+ = 5\text{V}$ $R_L = 100\text{ k}\Omega$ to $V^+/2$	4.987	4.970	4.970	4.940	V	
			<b>4.950</b>	<b>4.950</b>	<b>4.910</b>	min	
		0.004	0.030	0.030	0.060	V	
			<b>0.050</b>	<b>0.050</b>	<b>0.090</b>	max	
		$V^+ = 5\text{V}$ $R_L = 5\text{ k}\Omega$ to $V^+/2$	4.940	4.850	4.850	4.750	V
				<b>4.750</b>	<b>4.750</b>	<b>4.650</b>	min
	0.040	0.150	0.150	0.250	V		
		<b>0.250</b>	<b>0.250</b>	<b>0.350</b>	max		
	$V^+ = 15\text{V}$ $R_L = 100\text{ k}\Omega$ to $V^+/2$	14.970	14.920	14.920	14.880	V	
			<b>14.880</b>	<b>14.880</b>	<b>14.820</b>	min	
		0.007	0.030	0.030	0.060	V	
			<b>0.050</b>	<b>0.050</b>	<b>0.090</b>	max	
$V^+ = 15\text{V}$ $R_L = 5\text{ k}\Omega$ to $V^+/2$	14.840	14.680	14.680	14.580	V		
		<b>14.600</b>	<b>14.600</b>	<b>14.480</b>	min		
	0.110	0.220	0.220	0.320	V		
		<b>0.300</b>	<b>0.300</b>	<b>0.400</b>	max		
Output Current $V^+ = 5\text{V}$	Sourcing, $V_O = 0\text{V}$	22	16	16	13	mA	
			<b>12</b>	<b>14</b>	<b>11</b>	min	
	Sinking, $V_O = 5\text{V}$	21	16	16	13	mA	
			<b>12</b>	<b>14</b>	<b>11</b>	min	
Output Current $V^+ = 15\text{V}$	Sourcing, $V_O = 0\text{V}$	40	19	28	23	mA	
			<b>19</b>	<b>25</b>	<b>20</b>	min	
	Sinking, $V_O = 13\text{V}$ <sup>(4)</sup>	39	19	28	23	mA	
			<b>19</b>	<b>24</b>	<b>19</b>	min	
Supply Current	All Four Amplifiers $V_O = 1.5\text{V}$	160	200	200	240	$\mu\text{A}$	
			<b>250</b>	<b>230</b>	<b>270</b>	max	

(4) Do not connect output to  $V^+$  when  $V^+$  is greater than 13V or reliability may be adversely affected.

## AC Electrical Characteristics

Unless otherwise specified, all limits guaranteed for  $T_J = 25^\circ\text{C}$ . **Boldface** limits apply at the temperature extremes.  $V^+ = 5\text{V}$ ,  $V^- = 0\text{V}$ ,  $V_{\text{CM}} = 1.5\text{V}$ ,  $V_O = 2.5$ , and  $R_L > 1\text{M}$  unless otherwise specified.

Parameter	Conditions	Typ	LPC660AM	LPC660AI	LPC660I	Units
			LPC660AMJ/883			
			Limit <sup>(1)</sup> <sup>(2)</sup>	Limit <sup>(1)</sup>	Limit <sup>(1)</sup>	
Slew Rate	<sup>(3)</sup>	0.11	0.07	0.07	0.05	V/ $\mu\text{s}$
			<b>0.04</b>	<b>0.05</b>	<b>0.03</b>	min
Gain-Bandwidth Product		0.35				MHz
Phase Margin		50				Deg
Gain Margin		17				dB
Amp-to-Amp Isolation	<sup>(4)</sup>	130				dB
Input Referred Voltage Noise	F = 1 kHz	42				nV/ $\sqrt{\text{Hz}}$
Input Referred Current Noise	F = 1 kHz	0.0002				pA/ $\sqrt{\text{Hz}}$
Total Harmonic Distortion	F = 1 kHz, $A_V = -10$ $R_L = 100\text{ k}\Omega$ , $V_O = 8\text{ V}_{\text{PP}}$	0.01				%

- (1) Limits are guaranteed by testing or correlation.
- (2) A military RETS electrical test specification is available on request. At the time of printing, the LPC660AMJ/883 RETS specification complied fully with the **boldface** limits in this column. The LPC660AMJ/883 may also be procured to a Standard Military Drawing specification.
- (3)  $V^+ = 15\text{V}$ . Connected as Voltage Follower with 10V step input. Number specified is the slower of the positive and negative slew rates.
- (4) Input referred.  $V^+ = 15\text{V}$  and  $R_L = 100\text{ k}\Omega$  connected to  $V^+/2$ . Each amp excited in turn with 1 kHz to produce  $V_O = 13\text{ V}_{\text{PP}}$ .

### Typical Performance Characteristics

$V_S = \pm 7.5V$ ,  $T_A = 25^\circ C$  unless otherwise specified

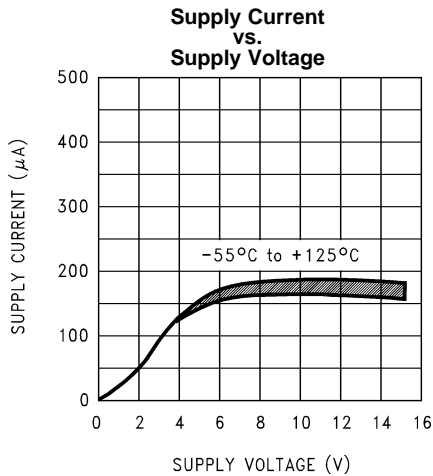


Figure 2.

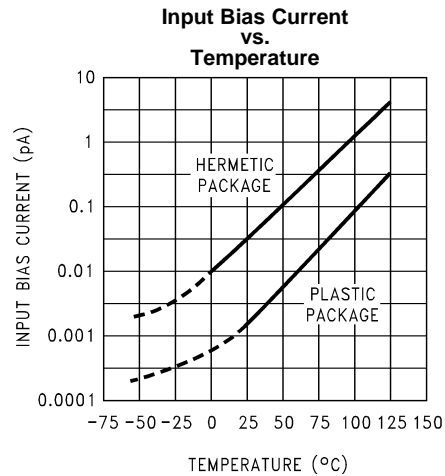


Figure 3.

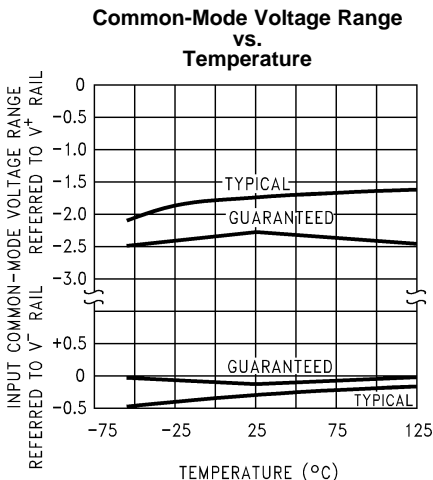


Figure 4.

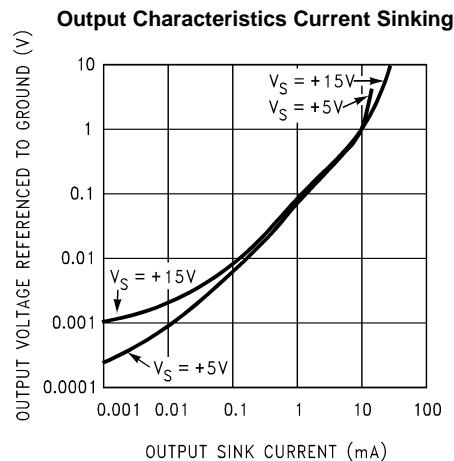


Figure 5.

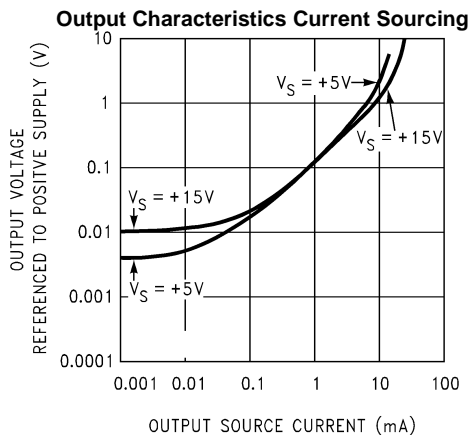


Figure 6.

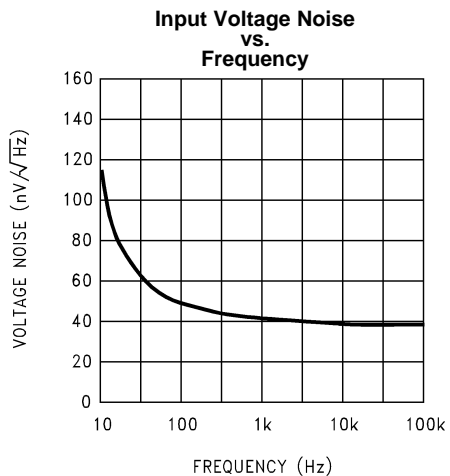
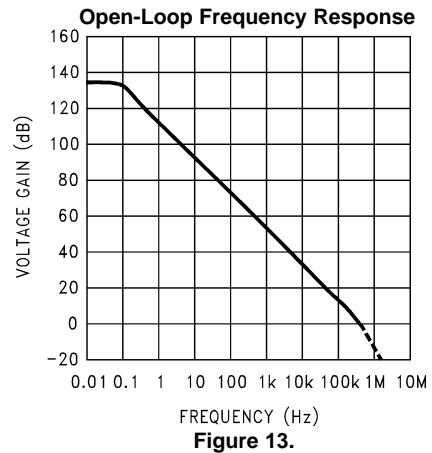
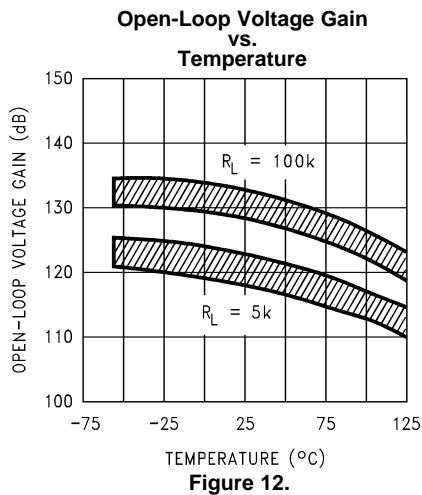
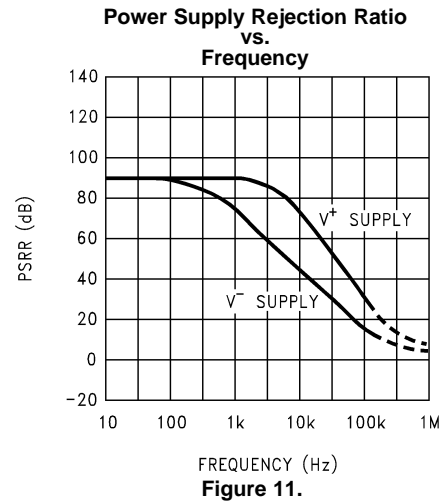
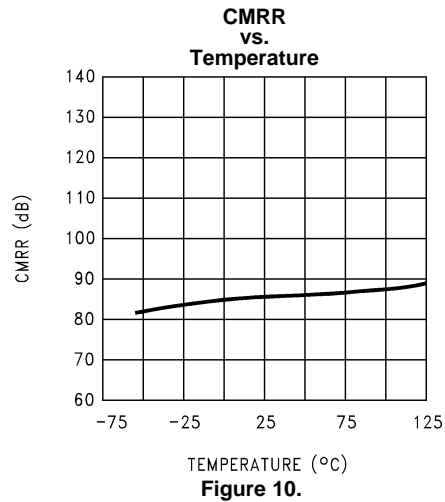
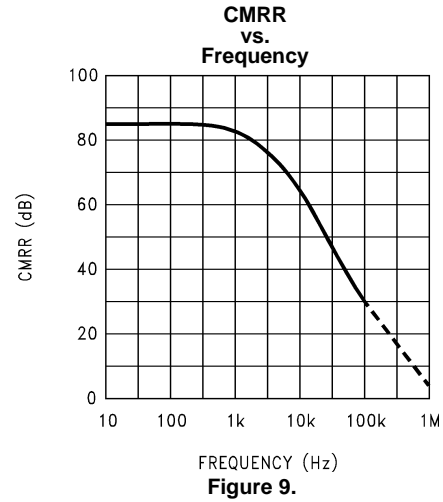
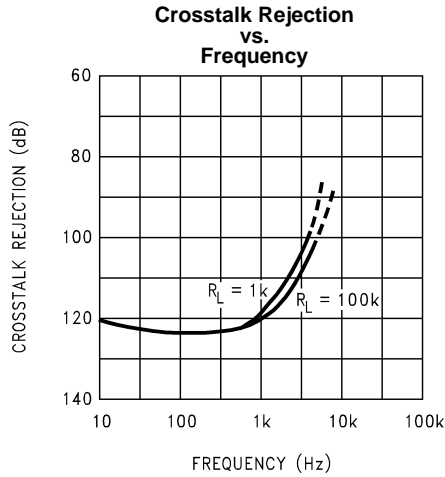


Figure 7.

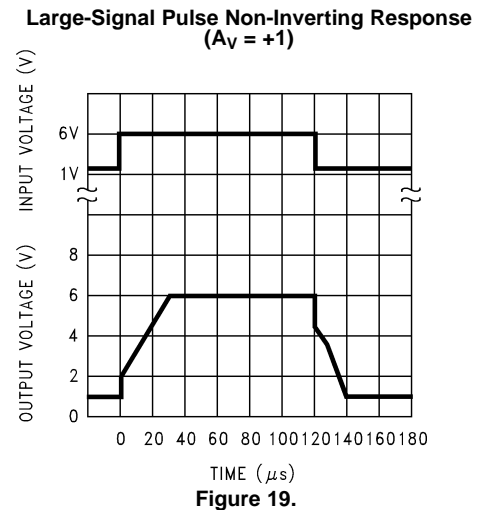
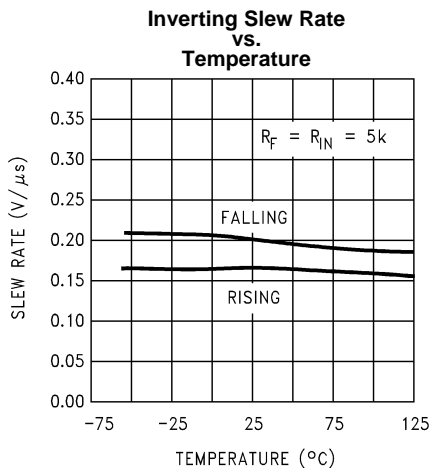
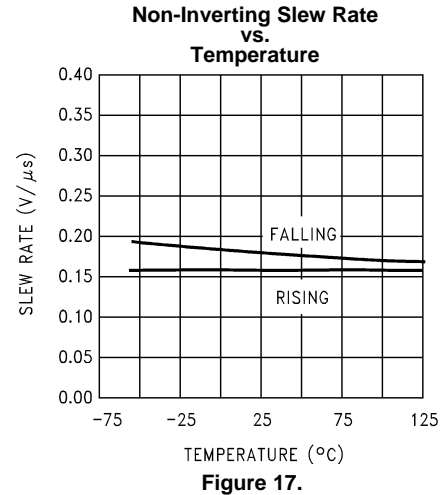
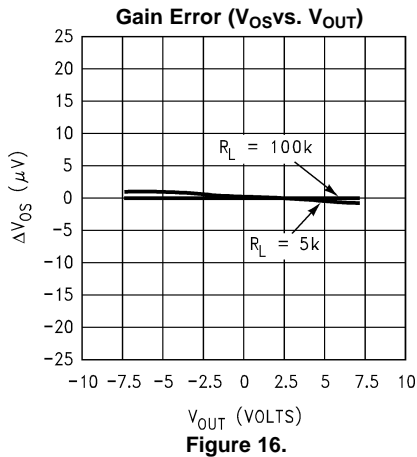
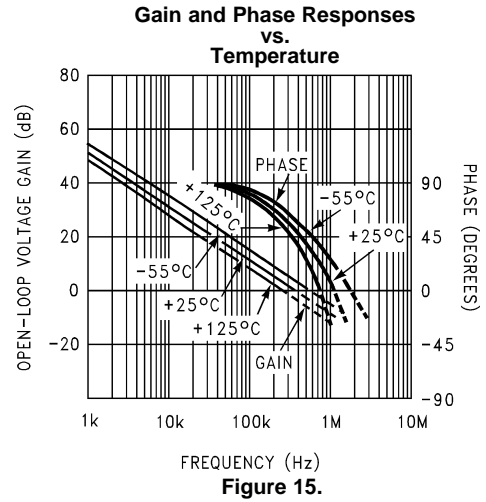
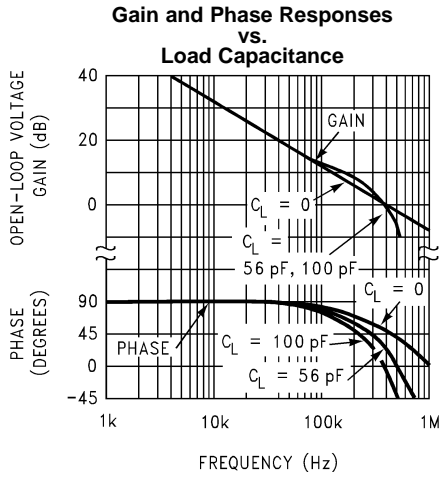
Typical Performance Characteristics (continued)

$V_S = \pm 7.5V$ ,  $T_A = 25^\circ C$  unless otherwise specified



**Typical Performance Characteristics (continued)**

$V_S = \pm 7.5V$ ,  $T_A = 25^\circ C$  unless otherwise specified





Typical Performance Characteristics (continued)

$V_S = \pm 7.5V$ ,  $T_A = 25^\circ C$  unless otherwise specified

Non-Inverting Small Signal Pulse Response ( $A_V = +1$ )

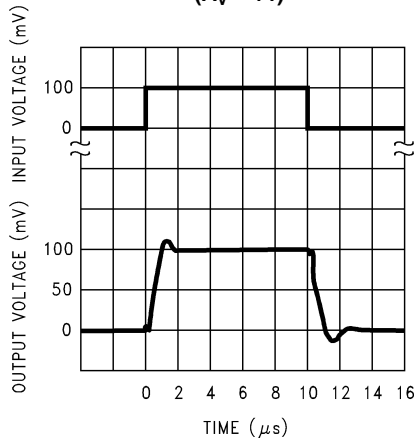


Figure 20.

Inverting Large-Signal Pulse Response

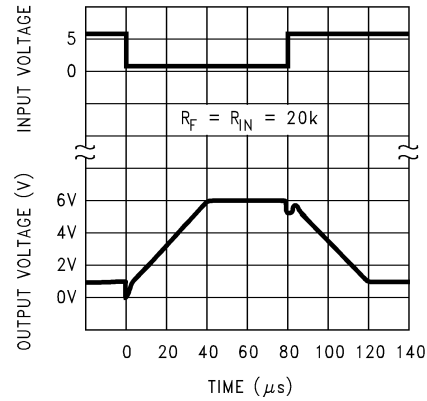


Figure 21.

Inverting Small-Signal Pulse Response

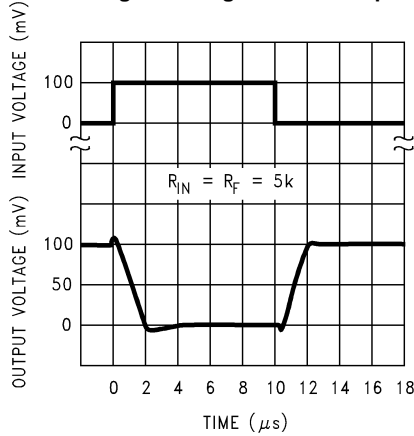


Figure 22.

Stability vs. Capacitive Load

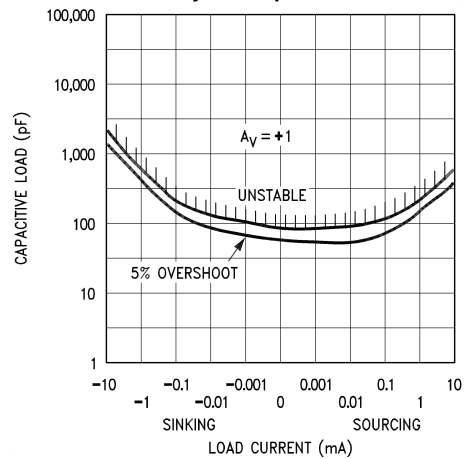


Figure 23.

Note: Avoid resistive loads of less than 500Ω, as they may cause instability.

Stability vs. Capacitive Load

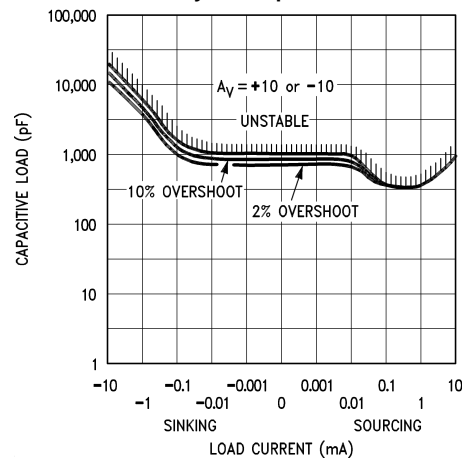


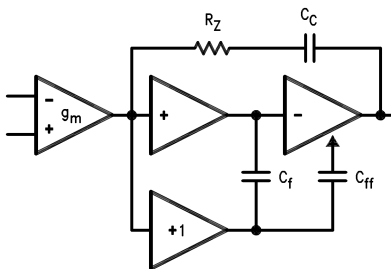
Figure 24.

## Application Hints

### AMPLIFIER TOPOLOGY

The topology chosen for the LPC660 is unconventional (compared to general-purpose op amps) in that the traditional unity-gain buffer output stage is not used; instead, the output is taken directly from the output of the integrator, to allow rail-to-rail output swing. Since the buffer traditionally delivers the power to the load, while maintaining high op amp gain and stability, and must withstand shorts to either rail, these tasks now fall to the integrator.

As a result of these demands, the integrator is a compound affair with an embedded gain stage that is doubly fed forward (via  $C_f$  and  $C_{ff}$ ) by a dedicated unity-gain compensation driver. In addition, the output portion of the integrator is a push-pull configuration for delivering heavy loads. While sinking current the whole amplifier path consists of three gain stages with one stage fed forward, whereas while sourcing the path contains four gain stages with two fed forward.



**Figure 25. LPC660 Circuit Topology (Each Amplifier)**

The large signal voltage gain while sourcing is comparable to traditional bipolar op amps, for load resistance of at least 5 k $\Omega$ . The gain while sinking is higher than most CMOS op amps, due to the additional gain stage; however, when driving load resistance of 5 k $\Omega$  or less, the gain will be reduced as indicated in the Electrical Characteristics. The op amp can drive load resistance as low as 500 $\Omega$  without instability.

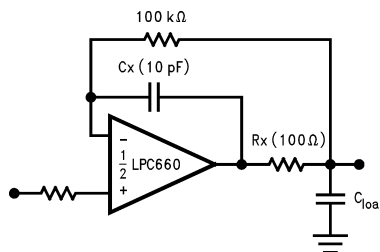
### COMPENSATING INPUT CAPACITANCE

Refer to the LMC660 or LMC662 datasheets to determine whether or not a feedback capacitor will be necessary for compensation and what the value of that capacitor would be.

### CAPACITIVE LOAD TOLERANCE

Like many other op amps, the LPC660 may oscillate when its applied load appears capacitive. The threshold of oscillation varies both with load and circuit gain. The configuration most sensitive to oscillation is a unity-gain follower. See the Typical Performance Characteristics.

The load capacitance interacts with the op amp's output resistance to create an additional pole. If this pole frequency is sufficiently low, it will degrade the op amp's phase margin so that the amplifier is no longer stable at low gains. The addition of a small resistor (50 $\Omega$  to 100 $\Omega$ ) in series with the op amp's output, and a capacitor (5 pF to 10 pF) from inverting input to output pins, returns the phase margin to a safe value without interfering with lower-frequency circuit operation. Thus, larger values of capacitance can be tolerated without oscillation. Note that in all cases, the output will ring heavily when the load capacitance is near the threshold for oscillation.



**Figure 26. Rx, Cx Improve Capacitive Load Tolerance**

Capacitive load driving capability is enhanced by using a pull up resistor to  $V^+$  (Figure 27). Typically a pull up resistor conducting 50  $\mu\text{A}$  or more will significantly improve capacitive load responses. The value of the pull up resistor must be determined based on the current sinking capability of the amplifier with respect to the desired output swing. Open loop gain of the amplifier can also be affected by the pull up resistor (see Electrical Characteristics).

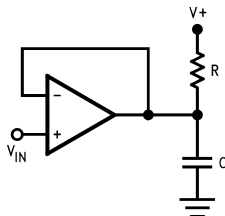


Figure 27. Compensating for Large Capacitive Loads with A Pull Up Resistor

### PRINTED-CIRCUIT-BOARD LAYOUT FOR HIGH-IMPEDANCE WORK

It is generally recognized that any circuit which must operate with less than 1000 pA of leakage current requires special layout of the PC board. When one wishes to take advantage of the ultra-low bias current of the LPC660, typically less than 0.04 pA, it is essential to have an excellent layout. Fortunately, the techniques for obtaining low leakages are quite simple. First, the user must not ignore the surface leakage of the PC board, even though it may sometimes appear acceptably low, because under conditions of high humidity or dust or contamination, the surface leakage will be appreciable.

To minimize the effect of any surface leakage, lay out a ring of foil completely surrounding the LPC660's inputs and the terminals of capacitors, diodes, conductors, resistors, relay terminals, etc. connected to the op-amp's inputs. See Figure 28. To have a significant effect, guard rings should be placed on both the top and bottom of the PC board. This PC foil must then be connected to a voltage which is at the same voltage as the amplifier inputs, since no leakage current can flow between two points at the same potential. For example, a PC board trace-to-pad resistance of  $10^{12}$  ohms, which is normally considered a very large resistance, could leak 5 pA if the trace were a 5V bus adjacent to the pad of an input. This would cause a 100 times degradation from the LPC660's actual performance. However, if a guard ring is held within 5 mV of the inputs, then even a resistance of  $10^{11}$  ohms would cause only 0.05 pA of leakage current, or perhaps a minor (2:1) degradation of the amplifier's performance. See Figure 29a, Figure 30b, Figure 31c for typical connections of guard rings for standard op-amp configurations. If both inputs are active and at high impedance, the guard can be tied to ground and still provide some protection; see Figure 32d.

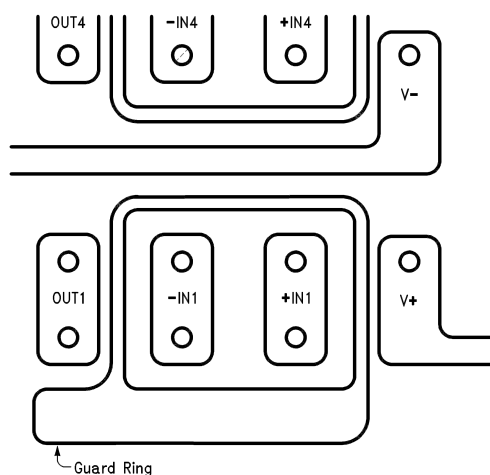


Figure 28. Example of Guard Ring in P.C. Board Layout using the LPC660

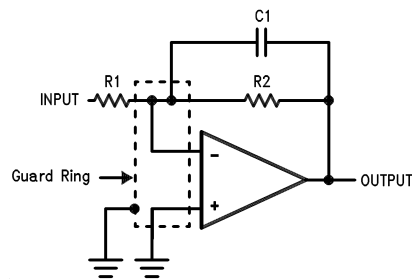


Figure 29. (a) Inverting Amplifier

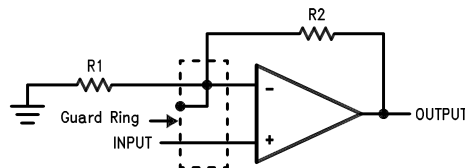


Figure 30. (b) Non-Inverting Amplifier

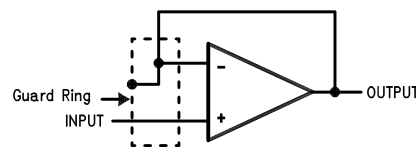


Figure 31. (c) Follower

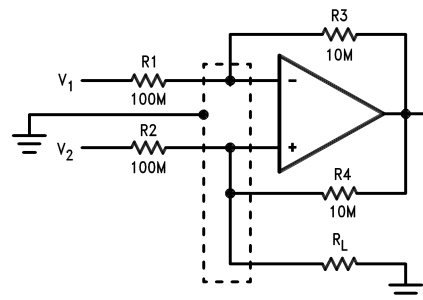
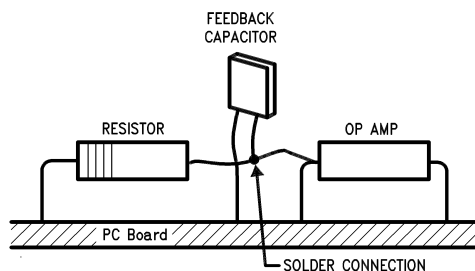


Figure 32. (d) Howland Current Pump

The designer should be aware that when it is inappropriate to lay out a PC board for the sake of just a few circuits, there is another technique which is even better than a guard ring on a PC board: Don't insert the amplifier's input pin into the board at all, but bend it up in the air and use only air as an insulator. Air is an excellent insulator. In this case you may have to forego some of the advantages of PC board construction, but the advantages are sometimes well worth the effort of using point-to-point up-in-the-air wiring. See [Figure 33](#).



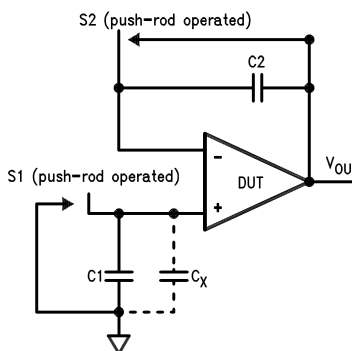
(Input pins are lifted out of PC board and soldered directly to components. All other pins connected to PC board.)

**Figure 33. Air Wiring**

### BIAS CURRENT TESTING

The test method of Figure 34 is appropriate for bench-testing bias current with reasonable accuracy. To understand its operation, first close switch S2 momentarily. When S2 is opened, then

$$I^- = \frac{dV_{OUT}}{dt} \times C2. \quad (1)$$



**Figure 34. Simple Input Bias Current Test Circuit**

A suitable capacitor for C2 would be a 5 pF or 10 pF silver mica, NPO ceramic, or air-dielectric. When determining the magnitude of  $I^-$ , the leakage of the capacitor and socket must be taken into account. Switch S2 should be left shorted most of the time, or else the dielectric absorption of the capacitor C2 could cause errors.

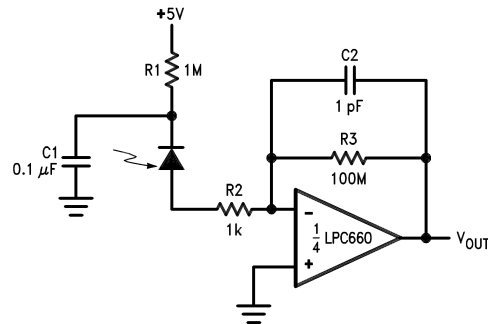
Similarly, if S1 is shorted momentarily (while leaving S2 shorted)

$$I^+ = \frac{dV_{OUT}}{dt} \times (C1 + Cx) \quad (2)$$

where  $C_x$  is the stray capacitance at the + input.

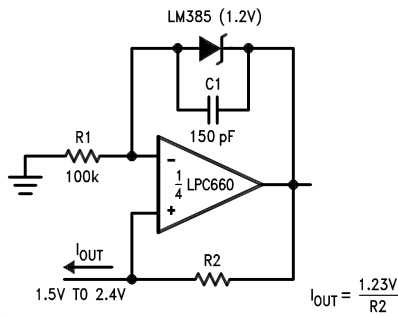
## Typical Single-Supply Applications — ( $V^+ = 5.0 V_{DC}$ )

### Figure 35. Photodiode Current-to-Voltage Converter



**Note:** A 5V bias on the photodiode can cut its capacitance by a factor of 2 or 3, leading to improved response and lower noise. However, this bias on the photodiode will cause photodiode leakage (also known as its dark current).

### Figure 36. Micropower Current Source



**Note:** (Upper limit of output range dictated by input common-mode range; lower limit dictated by minimum current requirement of LM385.)

### Figure 37. Low-Leakage Sample-and-Hold

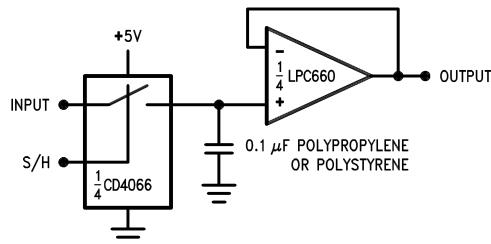
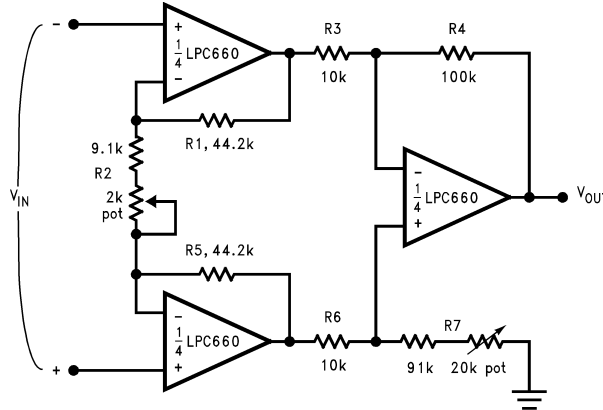


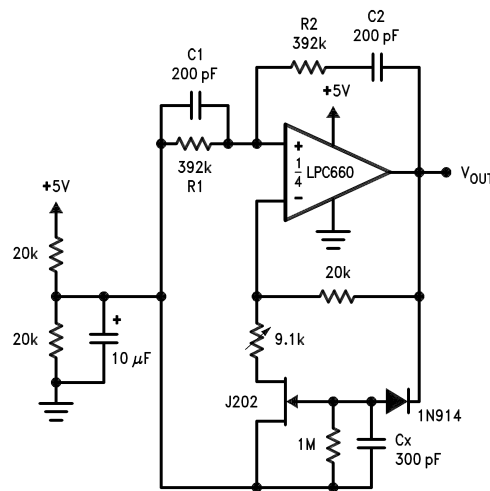
Figure 38. Instrumentation Amplifier



If  $R1 = R5$ ,  $R3 = R6$ , and  $R4 = R7$ ;  
 then  $\frac{V_{OUT}}{V_{IN}} = \frac{R2 + 2R1}{R1} \times \frac{R4}{R3}$   
 $\therefore A_V \approx 100$  for circuits shown.

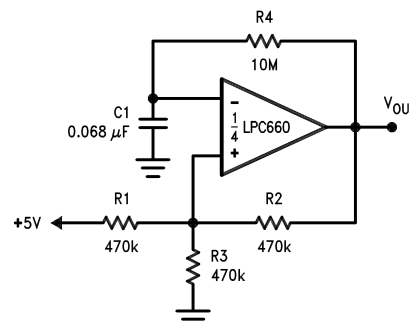
For good CMRR over temperature, low drift resistors should be used. Matching of  $R3$  to  $R6$  and  $R4$  to  $R7$  affects CMRR. Gain may be adjusted through  $R2$ . CMRR may be adjusted through  $R7$ .

Figure 39. Sine-Wave Oscillator



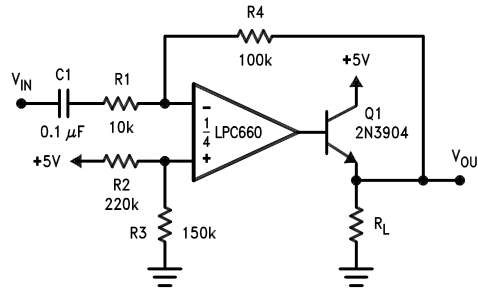
Oscillator frequency is determined by  $R1$ ,  $R2$ ,  $C1$ , and  $C2$ :  
 $f_{OSC} = 1/2\pi RC$   
 where  $R = R1 = R2$  and  $C = C1 = C2$ .

Figure 40. 1 Hz Square-Wave Oscillator

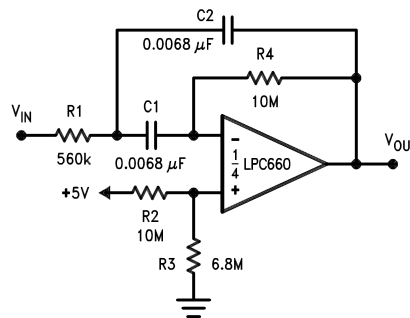


This circuit, as shown, oscillates at 2.0 kHz with a peak-to-peak output swing of 4.5V

**Figure 41. Power Amplifier**

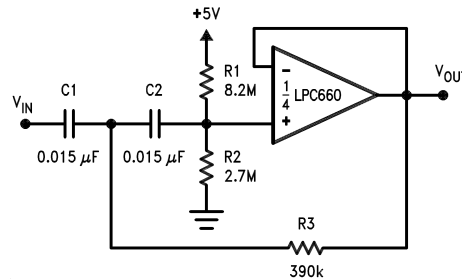


**Figure 42. 10 Hz Bandpass Filter**



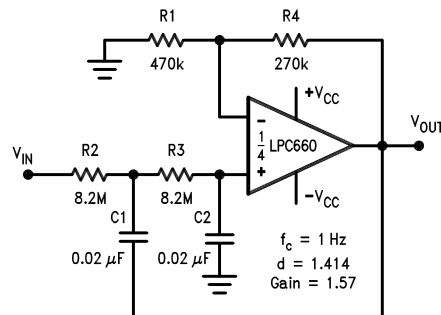
$f_0 = 10 \text{ Hz}$   
 $Q = 2.1$   
 Gain = -8.8

**Figure 43. 10 Hz High-Pass Filter (2 dB Dip)**



$f_c = 10 \text{ Hz}$   
 $d = 0.895$   
 Gain = 1

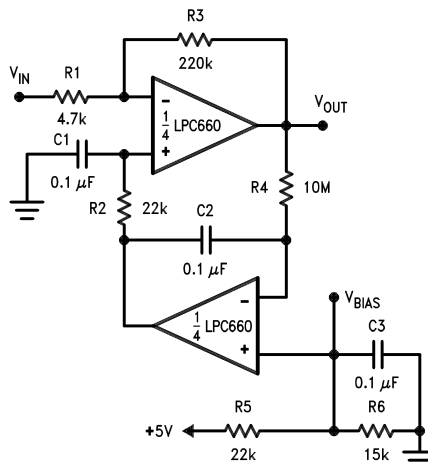
**Figure 44. 1 Hz Low-Pass Filter (Maximally Flat, Dual Supply Only)**



$f_c = 1 \text{ Hz}$   
 $d = 1.414$   
 Gain = 1.57



Figure 45. High Gain Amplifier with Offset Voltage Reduction



Gain = -46.8

Output offset voltage reduced to the level of the input offset voltage of the bottom amplifier (typically 1 mV), referred to  $V_{BIAS}$ .

Connection Diagram

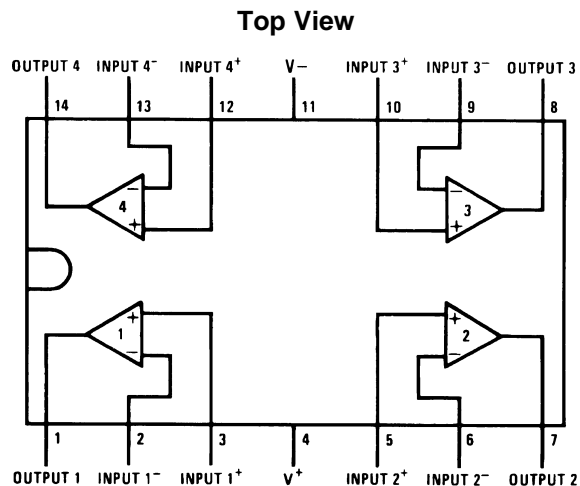


Figure 46. 14-Pin SOIC Package  
See Package Number D0014A

### REVISION HISTORY

Changes from Revision C (March 2013) to Revision D	Page
• Changed layout of National Data Sheet to TI format .....	<a href="#">17</a>

**PACKAGING INFORMATION**

Orderable Device	Status (1)	Package Type	Package Drawing	Pins	Package Qty	Eco Plan (2)	Lead finish/ Ball material (6)	MSL Peak Temp (3)	Op Temp (°C)	Device Marking (4/5)	Samples
LPC660AIM/NOPB	ACTIVE	SOIC	D	14	55	RoHS & Green	SN	Level-1-260C-UNLIM	-40 to 85	LPC660AIM	<a href="#">Samples</a>
LPC660AIMX/NOPB	ACTIVE	SOIC	D	14	2500	RoHS & Green	SN	Level-1-260C-UNLIM	-40 to 85	LPC660AIM	<a href="#">Samples</a>
LPC660IM/NOPB	ACTIVE	SOIC	D	14	55	RoHS & Green	SN	Level-1-260C-UNLIM	-40 to 85	LPC660IM	<a href="#">Samples</a>
LPC660IMX/NOPB	ACTIVE	SOIC	D	14	2500	RoHS & Green	SN	Level-1-260C-UNLIM	-40 to 85	LPC660IM	<a href="#">Samples</a>

(1) The marketing status values are defined as follows:

**ACTIVE:** Product device recommended for new designs.

**LIFEBUY:** TI has announced that the device will be discontinued, and a lifetime-buy period is in effect.

**NRND:** Not recommended for new designs. Device is in production to support existing customers, but TI does not recommend using this part in a new design.

**PREVIEW:** Device has been announced but is not in production. Samples may or may not be available.

**OBSOLETE:** TI has discontinued the production of the device.

(2) **RoHS:** TI defines "RoHS" to mean semiconductor products that are compliant with the current EU RoHS requirements for all 10 RoHS substances, including the requirement that RoHS substance do not exceed 0.1% by weight in homogeneous materials. Where designed to be soldered at high temperatures, "RoHS" products are suitable for use in specified lead-free processes. TI may reference these types of products as "Pb-Free".

**RoHS Exempt:** TI defines "RoHS Exempt" to mean products that contain lead but are compliant with EU RoHS pursuant to a specific EU RoHS exemption.

**Green:** TI defines "Green" to mean the content of Chlorine (Cl) and Bromine (Br) based flame retardants meet JS709B low halogen requirements of <=1000ppm threshold. Antimony trioxide based flame retardants must also meet the <=1000ppm threshold requirement.

(3) MSL, Peak Temp. - The Moisture Sensitivity Level rating according to the JEDEC industry standard classifications, and peak solder temperature.

(4) There may be additional marking, which relates to the logo, the lot trace code information, or the environmental category on the device.

(5) Multiple Device Markings will be inside parentheses. Only one Device Marking contained in parentheses and separated by a "-" will appear on a device. If a line is indented then it is a continuation of the previous line and the two combined represent the entire Device Marking for that device.

(6) Lead finish/Ball material - Orderable Devices may have multiple material finish options. Finish options are separated by a vertical ruled line. Lead finish/Ball material values may wrap to two lines if the finish value exceeds the maximum column width.

**Important Information and Disclaimer:**The information provided on this page represents TI's knowledge and belief as of the date that it is provided. TI bases its knowledge and belief on information provided by third parties, and makes no representation or warranty as to the accuracy of such information. Efforts are underway to better integrate information from third parties. TI has taken and

continues to take reasonable steps to provide representative and accurate information but may not have conducted destructive testing or chemical analysis on incoming materials and chemicals. TI and TI suppliers consider certain information to be proprietary, and thus CAS numbers and other limited information may not be available for release.

In no event shall TI's liability arising out of such information exceed the total purchase price of the TI part(s) at issue in this document sold by TI to Customer on an annual basis.

**TAPE AND REEL INFORMATION**

**QUADRANT ASSIGNMENTS FOR PIN 1 ORIENTATION IN TAPE**

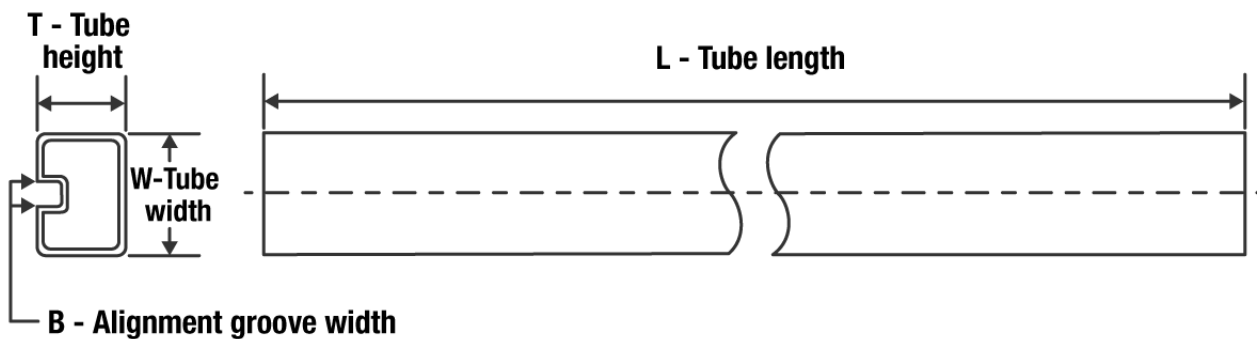

\*All dimensions are nominal

Device	Package Type	Package Drawing	Pins	SPQ	Reel Diameter (mm)	Reel Width W1 (mm)	A0 (mm)	B0 (mm)	K0 (mm)	P1 (mm)	W (mm)	Pin1 Quadrant
LPC660AIMX/NOPB	SOIC	D	14	2500	330.0	16.4	6.5	9.35	2.3	8.0	16.0	Q1
LPC660IMX/NOPB	SOIC	D	14	2500	330.0	16.4	6.5	9.35	2.3	8.0	16.0	Q1

**TAPE AND REEL BOX DIMENSIONS**


\*All dimensions are nominal

Device	Package Type	Package Drawing	Pins	SPQ	Length (mm)	Width (mm)	Height (mm)
LPC660AIMX/NOPB	SOIC	D	14	2500	356.0	356.0	35.0
LPC660IMX/NOPB	SOIC	D	14	2500	367.0	367.0	35.0

**TUBE**


\*All dimensions are nominal

Device	Package Name	Package Type	Pins	SPQ	L (mm)	W (mm)	T (μm)	B (mm)
LPC660AIM/NOPB	D	SOIC	14	55	495	8	4064	3.05
LPC660IM/NOPB	D	SOIC	14	55	495	8	4064	3.05

D (R-PDSO-G14)

PLASTIC SMALL OUTLINE



- NOTES:
- A. All linear dimensions are in inches (millimeters).
  - B. This drawing is subject to change without notice.
  -  Body length does not include mold flash, protrusions, or gate burrs. Mold flash, protrusions, or gate burrs shall not exceed 0.006 (0,15) each side.
  -  Body width does not include interlead flash. Interlead flash shall not exceed 0.017 (0,43) each side.
  - E. Reference JEDEC MS-012 variation AB.



D (R-PDSO-G14)

PLASTIC SMALL OUTLINE



4211283-3/E 08/12

- NOTES:
- All linear dimensions are in millimeters.
  - This drawing is subject to change without notice.
  - Publication IPC-7351 is recommended for alternate designs.
  - Laser cutting apertures with trapezoidal walls and also rounding corners will offer better paste release. Customers should contact their board assembly site for stencil design recommendations. Refer to IPC-7525 for other stencil recommendations.
  - Customers should contact their board fabrication site for solder mask tolerances between and around signal pads.

## IMPORTANT NOTICE AND DISCLAIMER

TI PROVIDES TECHNICAL AND RELIABILITY DATA (INCLUDING DATA SHEETS), DESIGN RESOURCES (INCLUDING REFERENCE DESIGNS), APPLICATION OR OTHER DESIGN ADVICE, WEB TOOLS, SAFETY INFORMATION, AND OTHER RESOURCES "AS IS" AND WITH ALL FAULTS, AND DISCLAIMS ALL WARRANTIES, EXPRESS AND IMPLIED, INCLUDING WITHOUT LIMITATION ANY IMPLIED WARRANTIES OF MERCHANTABILITY, FITNESS FOR A PARTICULAR PURPOSE OR NON-INFRINGEMENT OF THIRD PARTY INTELLECTUAL PROPERTY RIGHTS.

These resources are intended for skilled developers designing with TI products. You are solely responsible for (1) selecting the appropriate TI products for your application, (2) designing, validating and testing your application, and (3) ensuring your application meets applicable standards, and any other safety, security, regulatory or other requirements.

These resources are subject to change without notice. TI grants you permission to use these resources only for development of an application that uses the TI products described in the resource. Other reproduction and display of these resources is prohibited. No license is granted to any other TI intellectual property right or to any third party intellectual property right. TI disclaims responsibility for, and you will fully indemnify TI and its representatives against, any claims, damages, costs, losses, and liabilities arising out of your use of these resources.

TI's products are provided subject to [TI's Terms of Sale](#) or other applicable terms available either on [ti.com](http://ti.com) or provided in conjunction with such TI products. TI's provision of these resources does not expand or otherwise alter TI's applicable warranties or warranty disclaimers for TI products.

TI objects to and rejects any additional or different terms you may have proposed.

Mailing Address: Texas Instruments, Post Office Box 655303, Dallas, Texas 75265  
Copyright © 2022, Texas Instruments Incorporated