

## 采用 TSOT23 封装的 TPS6224X-Q1 汽车类 2.25MHz 300mA 降压转换器

### 1 特性

- 符合 AEC-Q100 标准，具有以下特性：
  - 器件温度 1 级：-40°C 至 125°C 的工作结温范围
- 输出电流高达 300mA
- $V_{IN}$  范围从 2V 至 6V
- 在 PWM 模式下以 2.25MHz 固定频率运行
- 轻负载电流上的省电模式
- 脉宽调制 (PWM) 模式中的输出电压精度为  $\pm 1.5\%$
- 固定输出电压
  - 1.80V TPS62243-Q1
  - 1.25V TPS62244-Q1
- 15 $\mu$ A 典型静态电流
- 可实现 100% 占空比，以确保最低压降
- 采用 TSOT 23 (5) 2.90mm x 1.60mm 封装

### 2 应用

- 遥控免钥匙进入 (RKE)
- 被动进入被动启动 (PEPS)
- 高级驾驶员辅助系统 (ADAS)
  - 前置摄像头、环视和停车辅助

### 3 说明

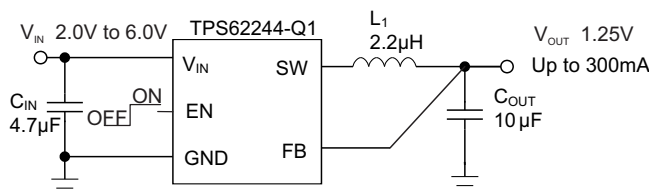
TPS6224x-Q1 系列器件是高效同步直流/直流降压转换器，提供固定输出电压和高达 300mA 的输出电流。这些器件为电池供电的/永远在线的汽车应用（如遥控免钥匙进入 (RKE) 或被动进入被动启动 (PEPS) 钥匙和基站）提供了低功耗优势。借助 2V-6V 的输入电压范围，这些器件支持由锂二氧化锰 (Li-MnO<sub>2</sub>) 纽扣电池、锂离子电池、两节 (2S) 和三节 (3S) 碱性电池、3.3V 和 5V 输入电压轨进行供电的应用。TPS6224x-Q1 在高负载电流情况下以 2.25MHz 的固定开关频率运行，在轻负载电流情况下会进入省电模式，以便在整个负载电流范围内保持高效率 and 低功耗。此省电模式针对低输出电压纹波进行了优化。在关断模式下，电流消耗减少至 1 $\mu$ A 以下。TPS6224x-Q1 允许使用小型电感器和电容器来实现较小的解决方案尺寸，并采用 5 引脚 TSOT23 封装。

#### 器件信息(1)

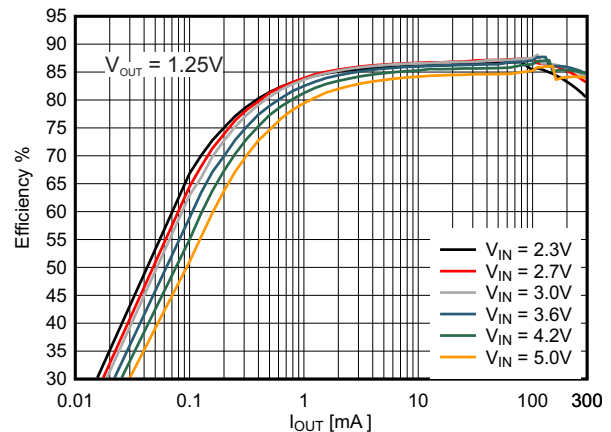
器件型号	封装	封装尺寸 (标称值)
TPS6224X-Q1	TSOT (5)	2.90mm x 1.60mm

(1) 如需了解所有可用封装，请参阅数据表末尾的可订购产品附录。

典型应用原理图



效率与输出电流间的关系



## 目录

<b>1</b>	<b>特性</b> .....	<b>1</b>	8.4	Device Functional Modes .....	<b>8</b>
<b>2</b>	<b>应用</b> .....	<b>1</b>	<b>9</b>	<b>Application and Implementation</b> .....	<b>10</b>
<b>3</b>	<b>说明</b> .....	<b>1</b>	9.1	Application Information .....	<b>10</b>
<b>4</b>	<b>修订历史记录</b> .....	<b>2</b>	9.2	Typical Application .....	<b>10</b>
<b>5</b>	<b>Device Comparison Table</b> .....	<b>3</b>	<b>10</b>	<b>Power Supply Recommendations</b> .....	<b>14</b>
<b>6</b>	<b>Pin Configuration and Functions</b> .....	<b>3</b>	<b>11</b>	<b>Layout</b> .....	<b>15</b>
<b>7</b>	<b>Specifications</b> .....	<b>3</b>	11.1	Layout Guidelines .....	<b>15</b>
7.1	Absolute Maximum Ratings .....	<b>3</b>	11.2	Layout Example .....	<b>15</b>
7.2	ESD Ratings .....	<b>4</b>	<b>12</b>	<b>器件和文档支持</b> .....	<b>16</b>
7.3	Recommended Operating Conditions .....	<b>4</b>	12.1	第三方产品免责声明 .....	<b>16</b>
7.4	Thermal Information .....	<b>4</b>	12.2	接收文档更新通知 .....	<b>16</b>
7.5	Electrical Characteristics .....	<b>5</b>	12.3	社区资源 .....	<b>16</b>
7.6	Typical Characteristics .....	<b>6</b>	12.4	商标 .....	<b>16</b>
<b>8</b>	<b>Detailed Description</b> .....	<b>7</b>	12.5	静电放电警告 .....	<b>16</b>
8.1	Overview .....	<b>7</b>	12.6	Glossary .....	<b>16</b>
8.2	Functional Block Diagram .....	<b>7</b>	<b>13</b>	<b>机械、封装和可订购信息</b> .....	<b>16</b>
8.3	Feature Description .....	<b>8</b>	13.1	Package Option Addendum .....	<b>17</b>

## 4 修订历史记录

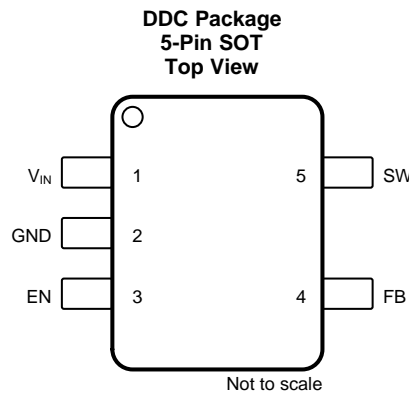
日期	修订版本	说明
2018 年 3 月	*	初始发行版。

## 5 Device Comparison Table

PART NUMBER <sup>(1)</sup>	FIXED OUTPUT VOLTAGES [V]	OPERATING MODE
TPS62243-Q1	1.80 V	PFM/PWM with automatic transition
TPS62244-Q1	1.25 V	PFM/PWM with automatic transition

(1) For all available packages, see the orderable addendum at the end of the data sheet.

## 6 Pin Configuration and Functions



### Pin Functions

PIN		I/O	DESCRIPTION
NAME	NO.		
EN	3	I	This is the enable pin of the device. Pulling this pin to low forces the device into shutdown mode. Pulling this pin to high enables the device. This pin must be terminated.
FB	4	I	Feedback Pin for the internal regulation loop. Connect the external resistor divider to this pin. In case of fixed output voltage option, connect this pin directly to the output capacitor.
GND	2	PWR	GND supply pin.
SW	5	O	This is the switch pin and is connected to the internal MOSFET switches. Connect the inductor to this terminal.
V <sub>IN</sub>	1	PWR	V <sub>IN</sub> power supply pin.

## 7 Specifications

### 7.1 Absolute Maximum Ratings<sup>(1)</sup>

		MIN	MAX	UNIT
V <sub>I</sub>	Input voltage <sup>(2)</sup>	-0.3	7	V
	Voltage at EN	-0.3	V <sub>IN</sub> + 0.3, ≤7	V
	Voltage on SW	-0.3	7	V
	Peak output current	Internally limited		A
T <sub>J</sub>	Maximum operating junction temperature	-40	150	°C
T <sub>stg</sub>	Storage temperature	-65	150	°C

- (1) Stresses beyond those listed under *Absolute Maximum Ratings* may cause permanent damage to the device. These are stress ratings only, which do not imply functional operation of the device at these or any other conditions beyond those indicated under *Recommended Operating Conditions*. Exposure to absolute-maximum-rated conditions for extended periods may affect device reliability.
- (2) All voltage values are with respect to network ground terminal.

## 7.2 ESD Ratings

			VALUE	UNIT
V <sub>(ESD)</sub>	Electrostatic discharge	Human-body model (HBM), per AEC Q100-002 <sup>(1)</sup>	±2000	V
		Charged-device model (CDM), per AEC Q100-011	±750	

(1) AEC Q100-002 indicates that HBM stressing shall be in accordance with the ANSI/ESDA/JEDEC JS-001 specification.

## 7.3 Recommended Operating Conditions

over operating free-air temperature range (unless otherwise noted)

		MIN	MAX	UNIT
V <sub>I</sub>	Supply voltage, VIN	2	6	V
I <sub>OUT</sub>	Output current, 2.3V < VIN < 6V		300	mA
	Output current, 2V ≤ VIN ≤ 2.3V		150	mA
L	Inductance	1.5	4.7	μH
C <sub>OUT</sub>	Output capacitance	4.7	10	μF
T <sub>J</sub>	Operating junction temperature	−40	125	°C

## 7.4 Thermal Information

THERMAL METRIC <sup>(1)</sup>		TPS6224X-Q1	UNIT
		DDC (TSOT 23)	
		5 PINS	
R <sub>θJA</sub>	Junction-to-ambient thermal resistance	193.7	°C/W
R <sub>θJC(top)</sub>	Junction-to-case (top) thermal resistance	40.7	°C/W
R <sub>θJB</sub>	Junction-to-board thermal resistance	35	°C/W
ψ <sub>JT</sub>	Junction-to-top characterization parameter	0.9	°C/W
ψ <sub>JB</sub>	Junction-to-board characterization parameter	34.7	°C/W
R <sub>θJC(bot)</sub>	Junction-to-case (bottom) thermal resistance	N/A	°C/W

(1) For more information about traditional and new thermal metrics, see the [Semiconductor and IC Package Thermal Metrics](#) application report.

## 7.5 Electrical Characteristics

$T_J = -40^{\circ}\text{C}$  to  $125^{\circ}\text{C}$ , typical values are at  $T_J = 25^{\circ}\text{C}$ , unless otherwise noted. Specifications apply for condition  $V_{IN} = 3.6\text{ V}$ .

PARAMETER		TEST CONDITIONS	MIN	TYP	MAX	UNIT
<b>SUPPLY</b>						
$I_Q$	Operating quiescent current	$I_{OUT} = 0\text{ mA}$ . Pulse frequency modulation (PFM) mode enabled, device not switching	15			$\mu\text{A}$
		$I_{OUT} = 0\text{ mA}$ . PFM mode enabled, device switching, $V_{OUT} = 1.25\text{ V}$	18.5			
$I_{SD}$	Shutdown current	$EN = \text{GND}$ , $T_J = 25^{\circ}\text{C}$	0.1	1		$\mu\text{A}$
		$EN = \text{GND}$	10			
UVLO	Undervoltage lockout threshold	Falling	1.85			V
		Rising	1.95			
<b>ENABLE, MODE</b>						
$V_{IH}$	High-level input voltage, EN	$2\text{ V} \leq V_{IN} \leq 6\text{ V}$	1	$V_{IN}$		V
$V_{IL}$	Low-level input voltage, EN	$2\text{ V} \leq V_{IN} \leq 6\text{ V}$ ,	0	0.35		V
$I_{IN}$	Input bias current, EN	$EN, \text{MODE} = \text{GND}$ or $V_{IN}$	0.01		1	$\mu\text{A}$
<b>POWER SWITCH</b>						
$R_{DS(on)}$	High-side MOSFET ON-resistance	$V_{IN} = V_{GS} = 3.6\text{ V}$ , $T_J = 25^{\circ}\text{C}$	240		480	m $\Omega$
	Low-side MOSFET ON-resistance		180		380	
$I_{LIMF}$	Forward current limit MOSFET high-side and low-side	$V_{IN} = V_{GS} = 3.6\text{ V}$ ,	0.54		0.95	A
TSD	Thermal shutdown	Increasing junction temperature	140		$^{\circ}\text{C}$	
	Thermal shutdown hysteresis	Decreasing junction temperature	20		$^{\circ}\text{C}$	
<b>OSCILLATOR</b>						
$f_{SW}$	Oscillator frequency	$2\text{ V} \leq V_{IN} \leq 6\text{ V}$ , PWM Mode	2	2.25	2.5	MHz
<b>OUTPUT</b>						
$V_{OUT}$	Output voltage	TPS62244 Q1 (fixed $V_{OUT}$ )	1.25		V	
		TPS62243 Q1 (fixed $V_{OUT}$ )	1.80		V	
$V_{REF}$	Internal reference voltage		600		mV	
$V_{FB}$	Feedback voltage	PWM operation, $2\text{ V} \leq V_{IN} \leq 6\text{ V}$ , in fixed output voltage versions $V_{FB} = V_{OUT}$ ; See <sup>(1)</sup> , $T_J = 25^{\circ}\text{C}$	-1.5%	0%	1.5%	
		PWM operation, $2\text{ V} \leq V_{IN} \leq 6\text{ V}$ , in fixed output voltage versions $V_{FB} = V_{OUT}$ ; See <sup>(1)</sup>	-1.5%	2.5%		
	Feedback voltage PFM mode	Device in PFM mode			0%	
	Load regulation	PWM mode			-0.5	
$t_{Start\ up}$	Start-up time	Time from active EN to reach 95% of $V_{OUT}$ nominal	500		$\mu\text{s}$	
$t_{Ramp}$	$V_{OUT}$ ramp UP time	Time to ramp from 5% to 95% of $V_{OUT}$	250		$\mu\text{s}$	
$I_{lkg}$	Leakage current into SW pin	$V_{IN} = 3.6\text{ V}$ , $V_{IN} = V_{OUT} = V_{SW}$ , $EN = \text{GND}$ , $T_J = 25^{\circ}\text{C}$ <sup>(2)</sup>	0.1		1	$\mu\text{A}$
		$V_{IN} = 3.6\text{ V}$ , $V_{IN} = V_{OUT} = V_{SW}$ , $EN = \text{GND}$ , <sup>(2)</sup>	10			

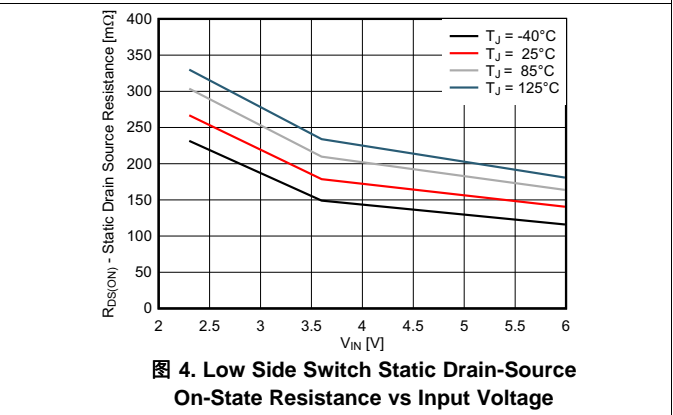
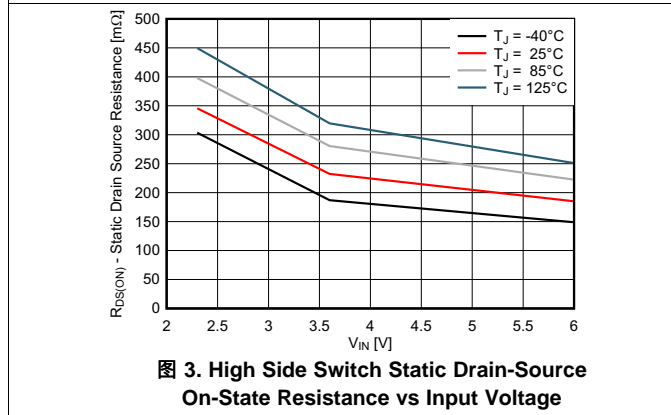
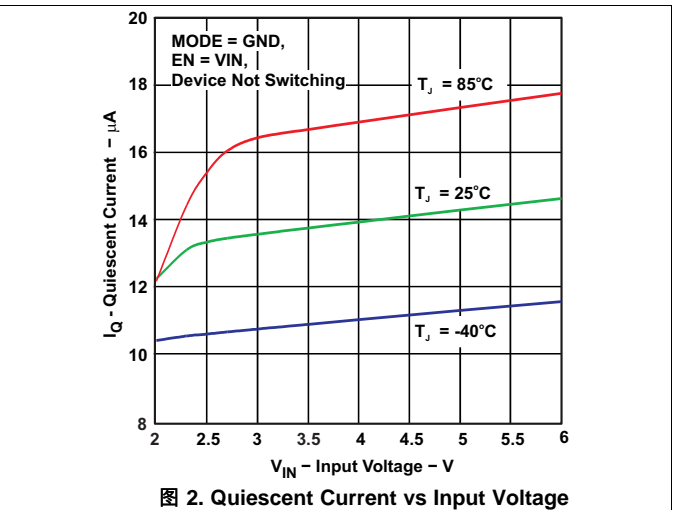
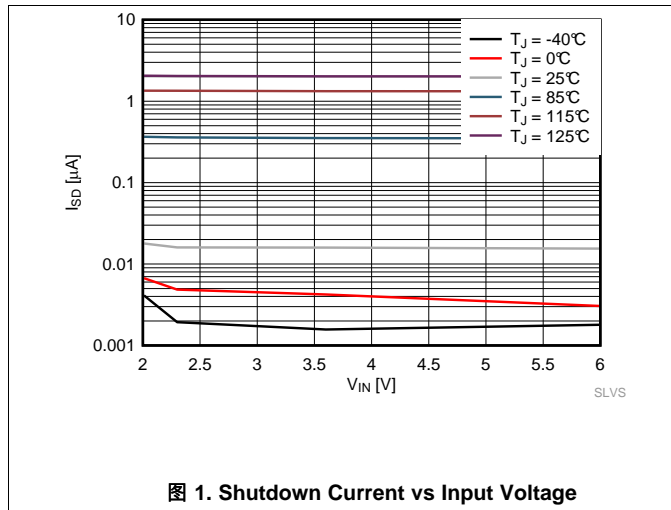
(1) For  $V_{IN} = V_O + 0.6$

(2) The internal resistor divider network is disconnected from FB pin.

## 7.6 Typical Characteristics

表 1. Table of Graphs

		FIGURE
Shutdown Current into VIN	vs Input Voltage	图 1
Quiescent Current	vs Input Voltage	图 2
Static Drain-Source On-State Resistance	vs Input Voltage	图 3
		图 4



## 8 Detailed Description

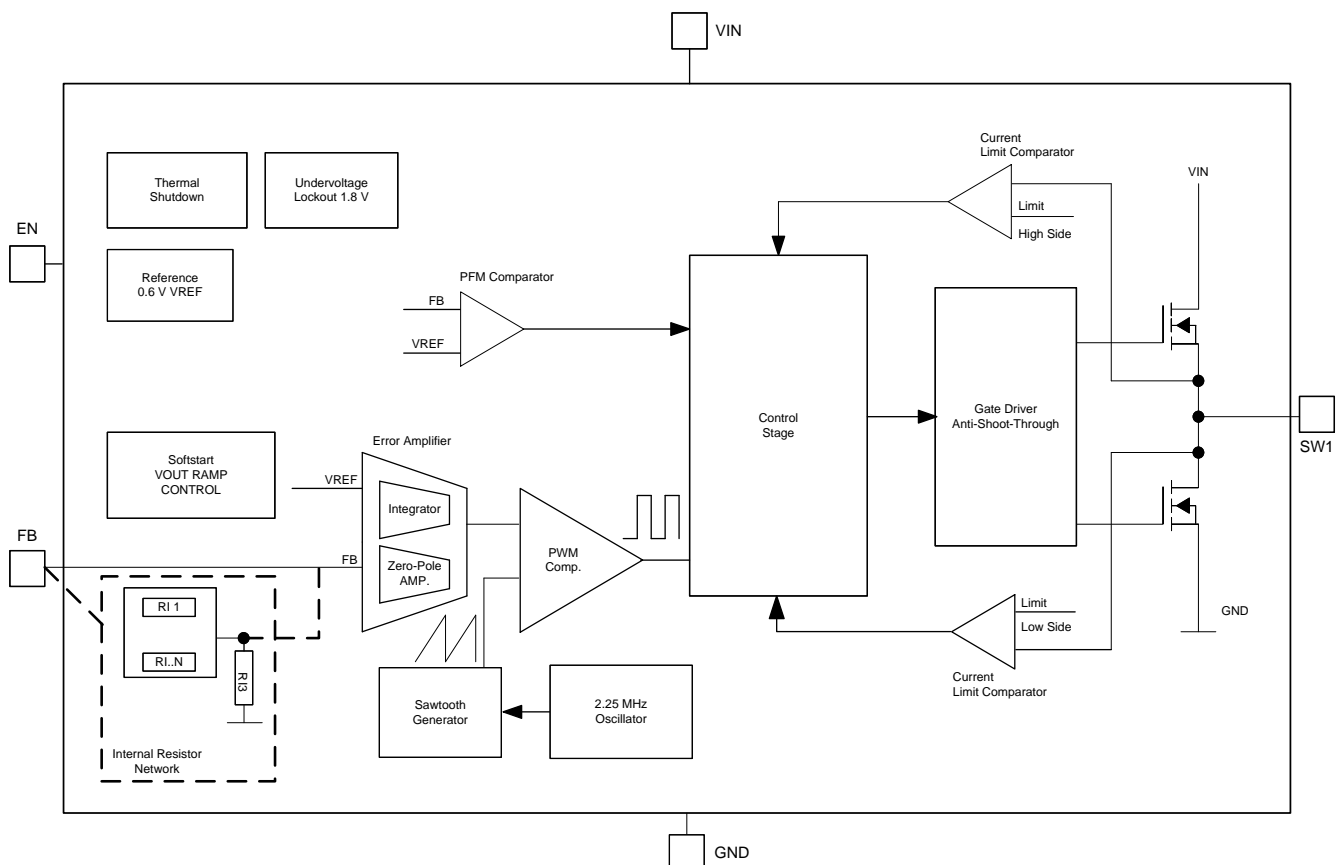
### 8.1 Overview

The TPS6224X-Q1 step-down converter typically operates with 2.25-MHz fixed-frequency pulse width modulation (PWM) at moderate to heavy load currents. At light load currents, the converter can automatically enter power save mode and then operates in PFM mode.

During PWM operation, the converter uses a unique fast-response voltage-mode control scheme with input voltage feed-forward to achieve good line and load regulation, allowing the use of small ceramic input and output capacitors. At the beginning of each clock cycle initiated by the clock signal, the high-side MOSFET switch is turned on. The current then flows from the input capacitor through the high-side MOSFET switch through the inductor to the output capacitor and load. During this phase, the current ramps up until the PWM comparator trips and the control logic turns off the switch. The current limit comparator also turns off the switch if the current limit of the high-side MOSFET switch is exceeded. After a dead time preventing shoot-through current, the low-side MOSFET rectifier is turned on and the inductor current ramps down. The current then flows from the inductor to the output capacitor and to the load. It returns back to the inductor through the low-side MOSFET rectifier.

The next cycle is initiated by the clock signal again turning off the low-side MOSFET rectifier and turning on the high-side MOSFET switch.

### 8.2 Functional Block Diagram



Copyright © 2016, Texas Instruments Incorporated

## 8.3 Feature Description

### 8.3.1 Undervoltage Lockout

The undervoltage lockout circuit prevents the device from malfunctioning at low input voltages and from excessive discharge of the battery and disables the output stage of the converter. The undervoltage lockout threshold is typically 1.85 V with falling  $V_{IN}$ .

### 8.3.2 Enable

The device is enabled by setting the EN pin to high. During the start-up time ( $t_{Start\ up}$ ), the internal circuits are settled and the soft-start circuit is activated. The EN input can be used to control power sequencing in a system with various DC-DC converters. The EN pin can be connected to the output of another converter, to drive the EN pin high and sequence supply rails. With EN pin = GND, the device enters shutdown mode in which all circuits are disabled. In fixed-output voltage versions, the internal resistor divider network is then disconnected from FB pin.

### 8.3.3 Thermal Shutdown

As soon as the junction temperature,  $T_J$ , exceeds 140°C (typical) the device goes into thermal shutdown. In this mode, the high-side and low-side MOSFETs are turned off. The device continues its operation when the junction temperature falls below the thermal shutdown hysteresis.

## 8.4 Device Functional Modes

### 8.4.1 Soft Start

The TPS6224X-Q1 device has an internal soft-start circuit that controls the ramp up of the output voltage. The output voltage ramps up from 5% to 95% of its nominal value within typical 250  $\mu$ s. This limits the inrush current in the converter during ramp up and prevents possible input voltage drops when using a battery or high impedance power source. The soft-start circuit is enabled within the start-up time,  $t_{Start\ up}$ .

### 8.4.2 Power Save Mode

The power save mode is enabled. If the load current decreases, the converter enters power save mode operation automatically. During power save mode, the converter skips switching and operates with reduced frequency in PFM mode with a minimum-quiescent current to maintain high efficiency.

The transition from PWM mode to PFM mode occurs once the inductor current in the low-side MOSFET switch becomes zero, which indicates discontinuous conduction mode.

During the power save mode, a PFM comparator monitors the output voltage. As the output voltage falls below the PFM comparator threshold of  $V_{OUT}$  nominal, the device starts a PFM current pulse. The high-side MOSFET switch turns on, and the inductor current ramps up. After the on-time expires, the switch turns off and the low-side MOSFET switch turns on until the inductor current becomes zero.

The converter effectively delivers a current to the output capacitor and the load. If the load is below the delivered current, the output voltage rises. If the output voltage is equal to or greater than the PFM comparator threshold, the device stops switching and enters a sleep mode with typical 15- $\mu$ A current consumption.

If the output voltage is still below the PFM comparator threshold, a sequence of further PFM current pulses are generated until the PFM comparator threshold is reached. The converter starts switching again once the output voltage drops below the PFM comparator threshold.

With a fast single-threshold comparator, the output-voltage ripple during PFM mode operation can be kept to a minimum. The PFM pulse is time controlled, allowing the user to modify the charge transferred to the output capacitor by the value of the inductor. The resulting PFM output voltage ripple and PFM frequency both depend on the size of the output capacitor and the inductor value. Increasing output capacitor values and inductor values minimize the output ripple. The PFM frequency decreases with smaller inductor values and increases with larger values.

If the output current cannot be supported in PFM mode, the device exits PFM mode and enters PWM mode.



## Device Functional Modes (接下页)

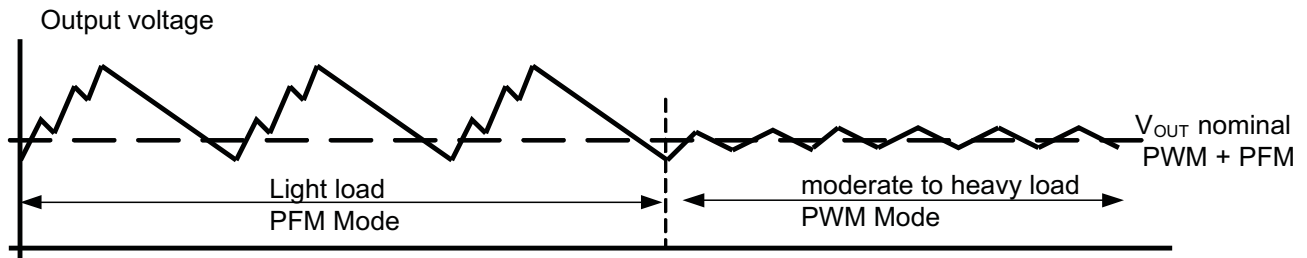


图 5. Power Save Mode

### 8.4.2.1 100% Duty Cycle Low Dropout Operation

The device starts to enter 100% duty-cycle mode once the input voltage comes close to the nominal output voltage. To maintain the output voltage, the high-side MOSFET switch is turned on 100% for one or more cycles.

With further decreasing  $V_{IN}$  the high-side MOSFET switch is turned on completely. In this case, the converter offers a low input-to-output voltage difference. This is particularly useful in battery-powered applications to achieve longest operation time by taking full advantage of the entire battery voltage range.

The minimum input voltage to maintain regulation depends on the load current and output voltage, and can be calculated as:

$$V_{INmin} = V_{Omax} + I_{Omax} (R_{DS(on)max} + R_L)$$

where

- $I_{Omax}$  = maximum output current plus inductor ripple current
  - $R_{DS(on)max}$  = maximum P-channel switch  $R_{DS(on)}$
  - $R_L$  = DC resistance of the inductor
  - $V_{Omax}$  = nominal output voltage plus maximum output voltage tolerance
- (1)

### 8.4.3 Short-Circuit Protection

The high-side and low-side MOSFET switches are short-circuit protected with maximum switch current equal to  $I_{LIMF}$ . The current in the switches is monitored by current limit comparators. Once the current in the high-side MOSFET switch exceeds the threshold of its current limit comparator, it turns off and the low-side MOSFET switch is activated to ramp down the current in the inductor and high-side MOSFET switch. The high-side MOSFET switch can only turn on again once the current in the low-side MOSFET switch has decreased below the threshold of its current limit comparator.

## 9 Application and Implementation

### 注

Information in the following applications sections is not part of the TI component specification, and TI does not warrant its accuracy or completeness. TI's customers are responsible for determining suitability of components for their purposes. Customers should validate and test their design implementation to confirm system functionality.

### 9.1 Application Information

The following section discusses the design of the external components to complete the power supply design by using typical applications as a reference.

### 9.2 Typical Application

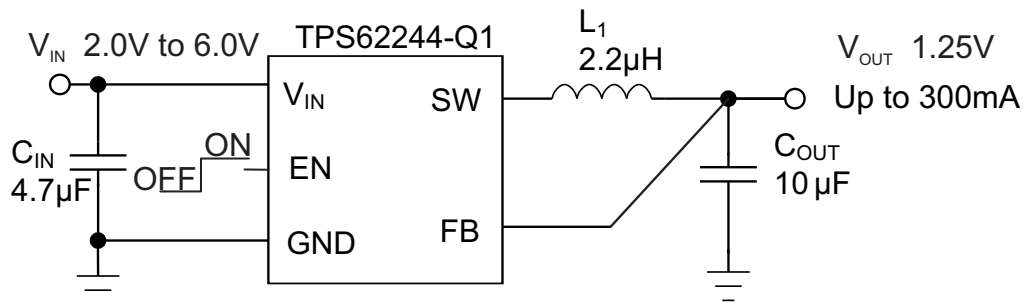


图 6. TPS62244Q1, Fixed 1.25 V  $V_{OUT}$

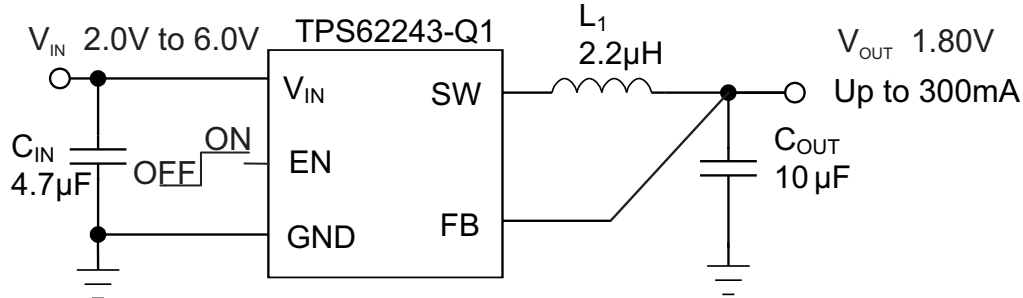


图 7. TPS62243Q1, Fixed 1.80 V  $V_{OUT}$

#### 9.2.1 Design Requirements

The device operates over an input voltage range from 2 V to 6 V. The output voltage setting is fixed.

#### 9.2.2 Detailed Design Procedure

表 2 shows the list of components for the [Application Curves](#). Users must verify and validate these components for suitability with their application before using the components.

表 2. List of Components

VALUE	COMPONENT REFERENCE	PART NUMBER	MANUFACTURER <sup>(1)</sup>
4.7 $\mu$ F, 6.3 V. X5R Ceramic	$C_{IN}$	GRM188R60J475K	Murata
10 $\mu$ F, 6.3 V. X5R Ceramic	$C_{OUT}$	GRM188R60J106M	Murata
2.2 $\mu$ H, 110 m $\Omega$	$L_1$	LPS3015	Coilcraft

(1) See [Third-party Products Disclaimer](#)

### 9.2.2.1 Output Filter Design (Inductor and Output Capacitor)

The TPS6224X-Q1 device is designed to operate with inductors in the range of 1.5  $\mu\text{H}$  to 4.7  $\mu\text{H}$  and with output capacitors in the range of 4.7  $\mu\text{F}$  to 22  $\mu\text{F}$ . The device is optimized for operation with a 2.2- $\mu\text{H}$  inductor and 10- $\mu\text{F}$  output capacitor.

Larger or smaller inductor values can be used to optimize the performance of the device for specific operation conditions. For stable operation, the L and C values of the output filter may not fall below 1- $\mu\text{H}$  effective Inductance and 3.5- $\mu\text{F}$  effective capacitance.

#### 9.2.2.1.1 Inductor Selection

The inductor value has a direct effect on the ripple current. The selected inductor must be rated for its DC resistance and saturation current (表 3). The inductor ripple current ( $\Delta I_L$ ) decreases with higher inductance and increases with higher  $V_I$  or  $V_O$ .

The inductor selection also has an impact on the output voltage ripple in the PFM mode. Higher inductor values lead to lower-output voltage ripple and higher PFM frequency, and lower inductor values lead to a higher-output voltage ripple with lower PFM frequency.

公式 2 calculates the maximum inductor current in PWM mode under static load conditions. The saturation current of the inductor should be rated higher than the maximum inductor current as calculated with 公式 3. This is the recommendation because during heavy-load transients the inductor current rises above the calculated value.

$$\Delta I_L = V_{\text{OUT}} \times \frac{1 - \frac{V_{\text{OUT}}}{V_{\text{IN}}}}{L \times f} \quad (2)$$

$$I_{L\text{max}} = I_{\text{OUTmax}} + \frac{\Delta I_L}{2}$$

where

- $f$  = Switching frequency (2.25-MHz typical)
  - $L$  = Inductor value
  - $\Delta I_L$  = Peak-to-Peak inductor ripple current
  - $I_{L\text{max}}$  = Maximum inductor current
- (3)

A more conservative approach is to select the inductor current rating just for the maximum switch current limit  $I_{L\text{IMF}}$  of the converter.

Accepting larger values of ripple current allows the use of low inductance values, but results in higher output voltage ripple, greater core losses, and lower output current capability.

The total losses of the coil strongly impact the efficiency of the DC-DC conversion and consist of both the losses in the DC resistance ( $R_{\text{DC}}$ ) and the following frequency-dependent components:

- The losses in the core material (magnetic hysteresis loss, especially at high switching frequencies)
- Additional losses in the conductor from the skin effect (current displacement at high frequencies)
- Magnetic field losses of the neighboring windings (proximity effect)
- Radiation losses

**表 3. List of Inductors**

INDUCTANCE ( $\mu\text{H}$ )	DIMENSIONS (mm)	PART NUMBER	MANUFACTURER <sup>(1)</sup>
2	2.5 × 2 × 1	MIPS2520D2R2	FDK
2	2.5 × 2 × 1.2	MIPSA2520D2R2	FDK
2.2	2.5 × 2 × 1	KSLI-252010AG2R2	Hitachi Metals
2.2	2.5 × 2 × 1.2	LQM2HPN2R2MJ0L	Murata
2.2	3 × 3 × 1.4	LPS3015	Coilcraft

(1) See [Third-party Products Disclaimer](#)

### 9.2.2.1.2 Output Capacitor Selection

The advanced fast-response voltage-mode control scheme of the TPS6224X-Q1 device allows the use of tiny ceramic capacitors. Ceramic capacitors with low-ESR values have the lowest-output voltage ripple and are recommended. The output capacitor requires either an X7R or X5R dielectric. Y5V and Z5U dielectric capacitors, aside from their wide variation in capacitance over temperature, become resistive at high frequencies.

At nominal load current, the device operates in PWM mode and the RMS ripple current is calculated as in [公式 4](#):

$$I_{\text{RMSC}_{\text{OUT}}} = V_{\text{OUT}} \times \frac{1 - \frac{V_{\text{OUT}}}{V_{\text{IN}}}}{L \times f} \times \frac{1}{2 \times \sqrt{3}} \quad (4)$$

At nominal load current, the device operates in PWM mode and the overall output voltage ripple is the sum of the voltage spike caused by the output capacitor ESR plus the voltage ripple caused by charging and discharging the output capacitor as in [公式 5](#):

$$\Delta V_{\text{OUT}} = V_{\text{OUT}} \times \frac{1 - \frac{V_{\text{OUT}}}{V_{\text{IN}}}}{L \times f} \times \left( \frac{1}{8 \times C_{\text{OUT}} \times f} + \text{ESR} \right) \quad (5)$$

At light load currents, the converter operates in power save mode and the output voltage ripple depends on the output capacitor and inductor value. Larger output capacitor and inductor values minimize the voltage ripple in PFM mode and tighten DC output accuracy in PFM mode.

### 9.2.2.1.3 Input Capacitor Selection

The buck converter has a natural pulsating input current; therefore, a low-ESR input capacitor is required for best input voltage filtering and minimizing the interference with other circuits caused by high-input voltage spikes. For most applications, a 4.7- $\mu\text{F}$  to 10- $\mu\text{F}$  ceramic capacitor is recommended ([表 4](#)). Because ceramic capacitors lose up to 80% of their initial capacitance at 5 V, TI recommends using a 10- $\mu\text{F}$  input capacitor for input voltages greater than 4.5 V. The input capacitor can be increased without any limit for better input voltage filtering.

Take care when using only small ceramic input capacitors. When a ceramic capacitor is used at the input, and the power is being supplied through long wires, such as from a wall adapter, a load step at the output, or  $V_{\text{IN}}$  step on the input, can induce ringing at the VIN pin. The ringing can couple to the output and be mistaken as loop instability, or could even damage the part by exceeding the maximum ratings.

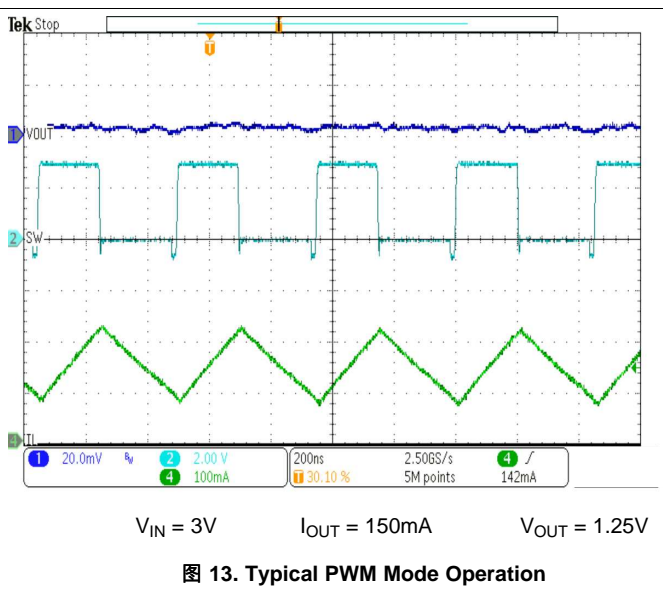
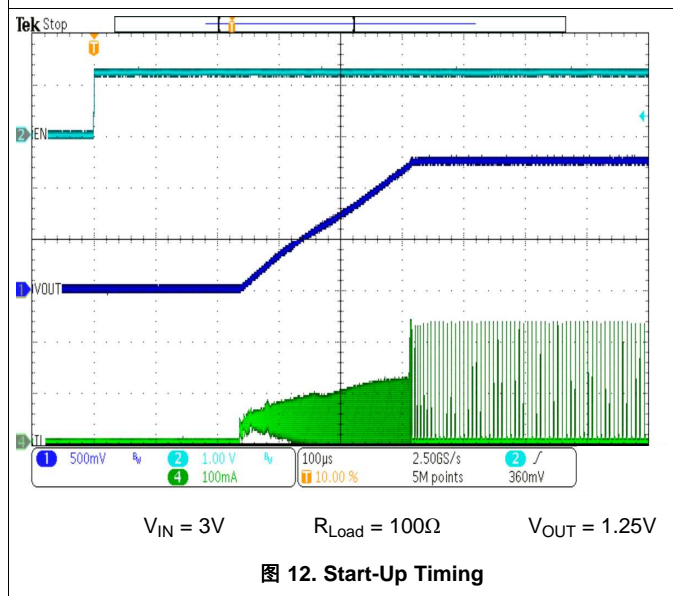
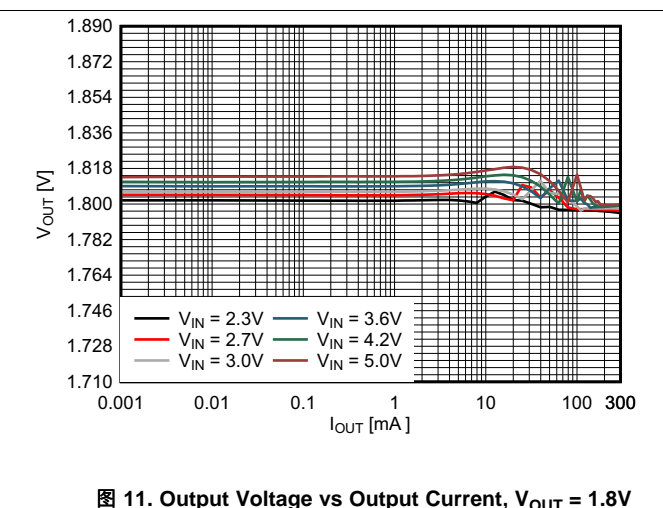
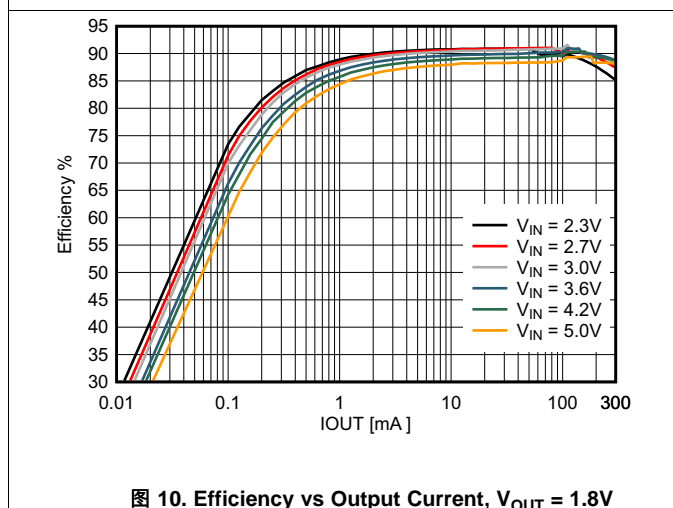
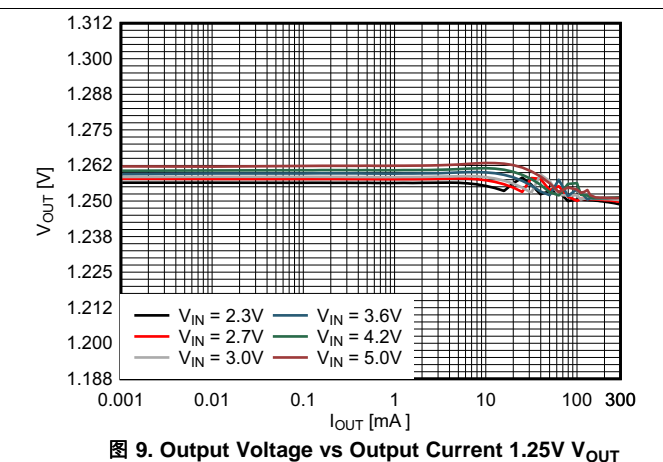
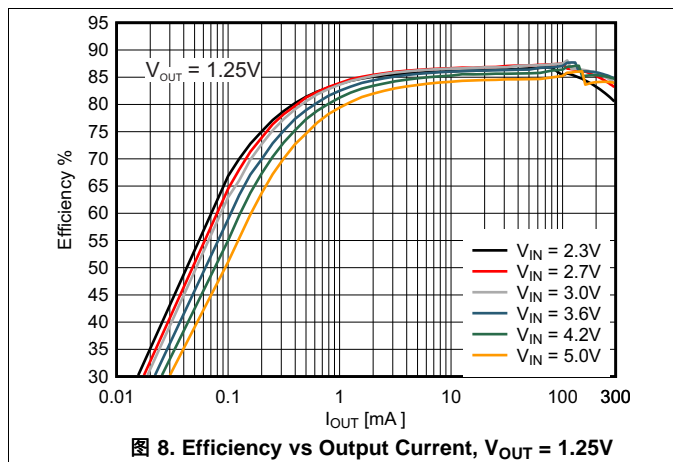
**表 4. List of Capacitors**

CAPACITANCE ( $\mu\text{F}$ )	DIMENSIONS (mm)	PART NUMBER	MANUFACTURER <sup>(1)</sup>
4.7	0603: 1.6 × 0.8 × 0.8	GRM188R60J475K	Murata
10	0603: 1.6 × 0.8 × 0.8	GRM188R60J106M69D	Murata

(1) See [Third-party Products Disclaimer](#)

### 9.2.3 Application Curves

The conditions for below application curves are  $V_{IN} = 3.0V$ ,  $V_{OUT} = 1.25V$  and the components listed in 表 2, unless otherwise noted.



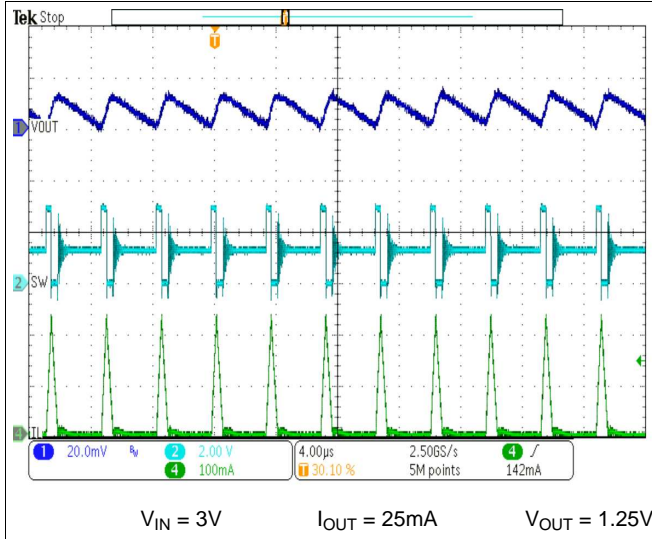


图 14. Typical PFM Mode Operation

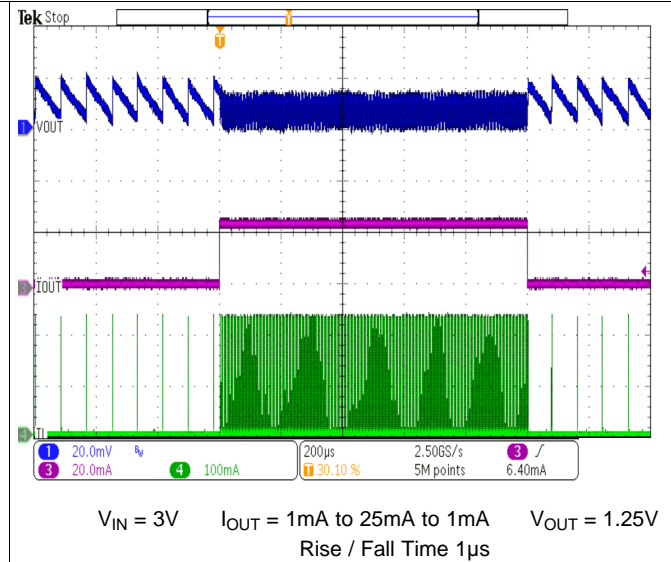


图 15. Load Transient PFM Mode

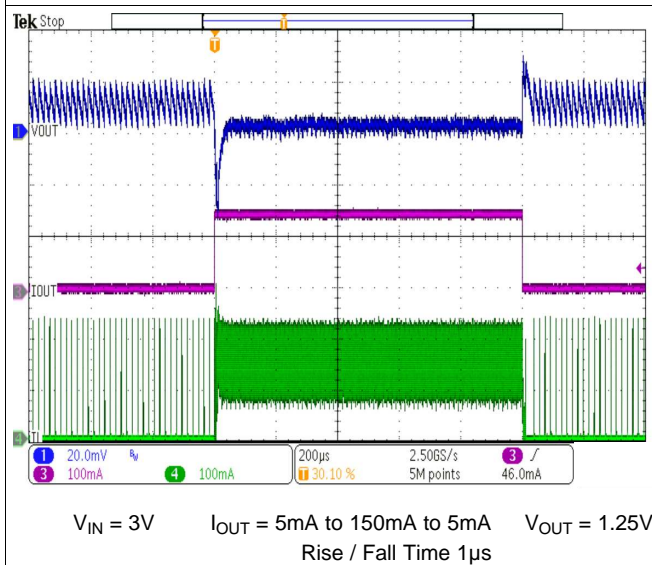


图 16. Load Transient PFM / PWM Mode

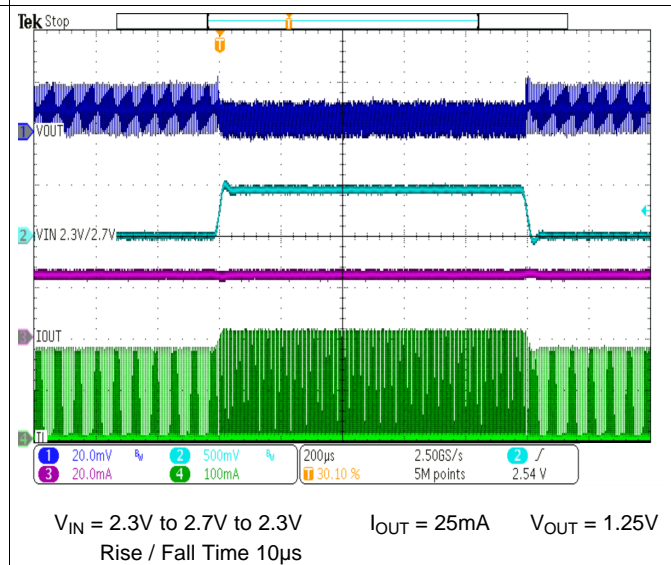


图 17. Line Transient PFM Mode

## 10 Power Supply Recommendations

The TPS6224X-Q1 device has no special requirements for its input power supply. The input power supply output current must be rated according to the supply voltage, output voltage, and output current of the TPS6224X-Q1.

## 11 Layout

### 11.1 Layout Guidelines

As for all switching power supplies, the layout is an important step in the design. Proper function of the device demands careful attention to PCB layout. To get the specified performance, the board layout must be carefully done. If not carefully done, the regulator could show poor line or load regulation, and additional stability issues as well as EMI problems. 图 18 shows an example of layout design with the TLV62242-Q1 device.

- Providing a low-inductance, low-impedance ground path is critical. Therefore, use wide and short traces for the main current paths. The input capacitor as well as the inductor and output capacitor must be placed as close as possible to the IC pins.
- The FB line must be connected directly to the output capacitor and the FB line must be routed away from noisy components and traces (for example, the SW line).
- Because of the small package of this converter and the overall small solution size, the thermal performance of the PCB layout is important. For good thermal performance, PCB design of at least four layers is recommended.

### 11.2 Layout Example

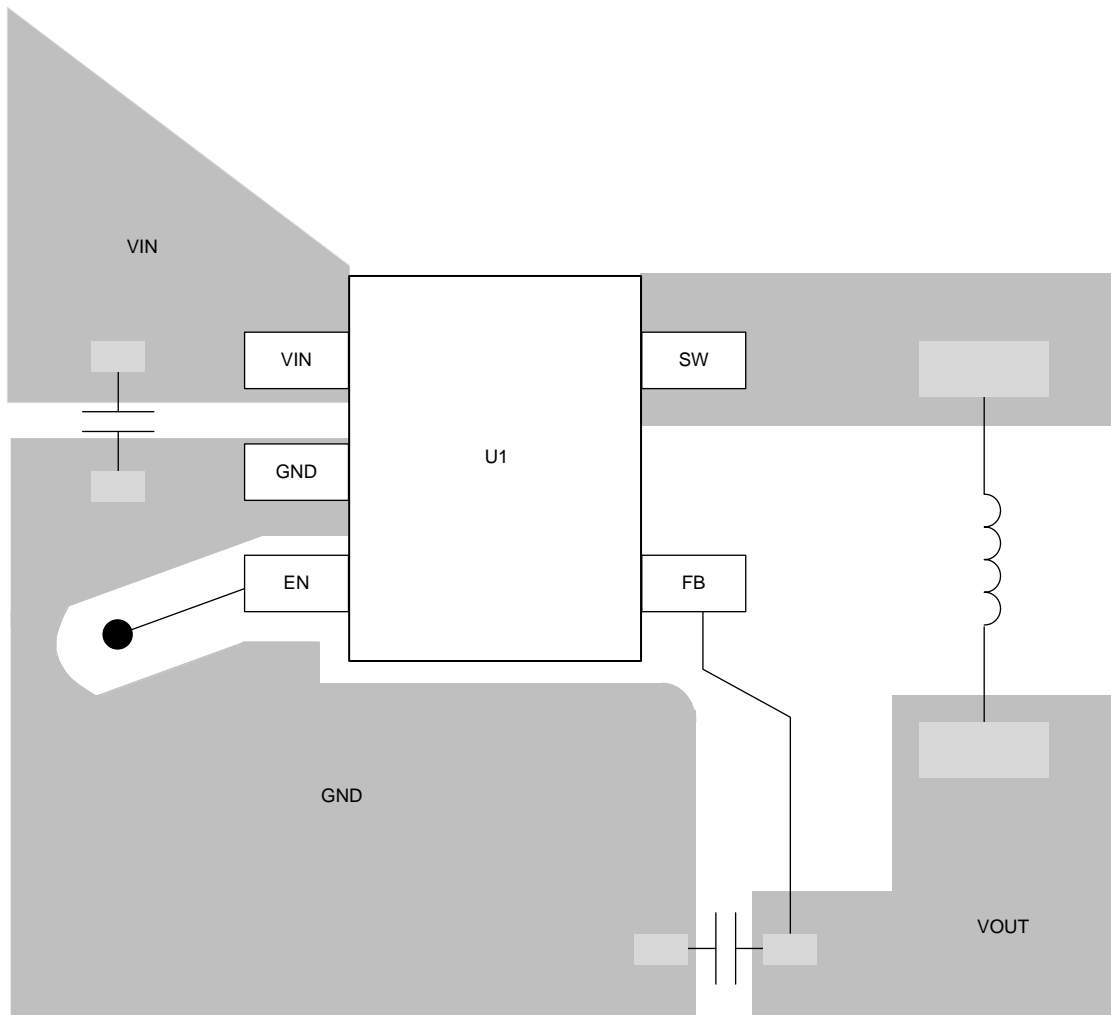


图 18. Suggested Layout for Fixed Output Voltage

## 12 器件和文档支持

### 12.1 第三方产品免责声明

TI 发布的与第三方产品或服务有关的信息，不能构成与此类产品或服务或保修的适用性有关的认可，不能构成此类产品或服务单独或与任何 TI 产品或服务一起的表示或认可。

### 12.2 接收文档更新通知

要接收文档更新通知，请导航至 [TI.com.cn](http://TI.com.cn) 上的器件产品文件夹。请单击右上角的提醒我进行注册，即可每周接收产品信息更改摘要。有关更改的详细信息，请查看任何已修订文档中包含的修订历史记录。

### 12.3 社区资源

下列链接提供到 TI 社区资源的连接。链接的内容由各个分销商“按照原样”提供。这些内容并不构成 TI 技术规范，并且不一定反映 TI 的观点；请参阅 TI 的《使用条款》。

**TI E2E™ 在线社区** *TI 的工程师对工程师 (E2E) 社区*。此社区的创建目的在于促进工程师之间的协作。在 [e2e.ti.com](http://e2e.ti.com) 中，您可以咨询问题、分享知识、拓展思路并与同行工程师一道帮助解决问题。

**设计支持** *TI 参考设计支持* 可帮助您快速查找有帮助的 E2E 论坛、设计支持工具以及技术支持的联系信息。

### 12.4 商标

E2E is a trademark of Texas Instruments.

### 12.5 静电放电警告



这些装置包含有限的内置 ESD 保护。存储或装卸时，应将导线一起截短或将装置放置于导电泡棉中，以防止 MOS 门极遭受静电损伤。

## 12.6 Glossary

[SLYZ022](#) — *TI Glossary*.

This glossary lists and explains terms, acronyms, and definitions.

## 13 机械、封装和可订购信息

以下页面包含机械、封装和可订购信息。这些信息是指定器件的最新可用数据。数据如有变更，恕不另行通知，也不会对此文档进行修订。如欲获取此数据表的浏览器版本，请参阅左侧的导航。



## 13.1 Package Option Addendum

### 13.1.1 Packaging Information

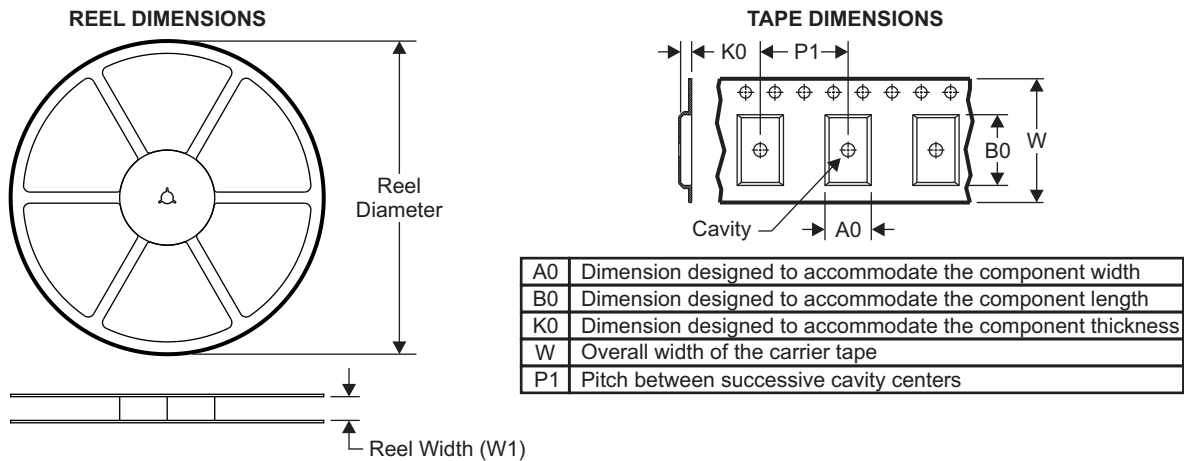
Orderable Device	Status <sup>(1)</sup>	Package Type	Package Drawing	Pins	Package Qty	Eco Plan <sup>(2)</sup>	Lead/Ball Finish <sup>(3)</sup>	MSL Peak Temp <sup>(4)</sup>	Op Temp (°C)	Device Marking <sup>(5)(6)</sup>
TPS62243QDDCRQ1	PREVIEW	SOT-23-THIN	DDC	5	3000	Green (RoHS & no Sb/Br)	CU NIPDAU	Level-1-260C-UNLIM	-40 to 115	1I3Z
TPS62244QDDCRQ1	PREVIEW	SOT-23-THIN	DDC	5	3000	Green (RoHS & no Sb/Br)	CU NIPDAU	Level-1-260C-UNLIM	-40 to 115	1I2Z

- (1) The marketing status values are defined as follows:  
**ACTIVE:** Product device recommended for new designs.  
**LIFEBUY:** TI has announced that the device will be discontinued, and a lifetime-buy period is in effect.  
**NRND:** Not recommended for new designs. Device is in production to support existing customers, but TI does not recommend using this part in a new design.  
**PRE\_PROD** Unannounced device, not in production, not available for mass market, nor on the web, samples not available.  
**PREVIEW:** Device has been announced but is not in production. Samples may or may not be available.  
**OBSOLETE:** TI has discontinued the production of the device.
- (2) Eco Plan - The planned eco-friendly classification: Pb-Free (RoHS), Pb-Free (RoHS Exempt), or Green (RoHS & no Sb/Br) - please check <http://www.ti.com/productcontent> for the latest availability information and additional product content details.  
**TBD:** The Pb-Free/Green conversion plan has not been defined.  
**Pb-Free (RoHS):** TI's terms "Lead-Free" or "Pb-Free" mean semiconductor products that are compatible with the current RoHS requirements for all 6 substances, including the requirement that lead not exceed 0.1% by weight in homogeneous materials. Where designed to be soldered at high temperatures, TI Pb-Free products are suitable for use in specified lead-free processes.  
**Pb-Free (RoHS Exempt):** This component has a RoHS exemption for either 1) lead-based flip-chip solder bumps used between the die and package, or 2) lead-based die adhesive used between the die and leadframe. The component is otherwise considered Pb-Free (RoHS compatible) as defined above.  
**Green (RoHS & no Sb/Br):** TI defines "Green" to mean Pb-Free (RoHS compatible), and free of Bromine (Br) and Antimony (Sb) based flame retardants (Br or Sb do not exceed 0.1% by weight in homogeneous material)
- (3) Lead/Ball Finish - Orderable Devices may have multiple material finish options. Finish options are separated by a vertical ruled line. Lead/Ball Finish values may wrap to two lines if the finish value exceeds the maximum column width.
- (4) MSL, Peak Temp. -- The Moisture Sensitivity Level rating according to the JEDEC industry standard classifications, and peak solder temperature.
- (5) There may be additional marking, which relates to the logo, the lot trace code information, or the environmental category on the device
- (6) Multiple Device markings will be inside parentheses. Only one Device Marking contained in parentheses and separated by a "~" will appear on a device. If a line is indented then it is a continuation of the previous line and the two combined represent the entire Device Marking for that device.

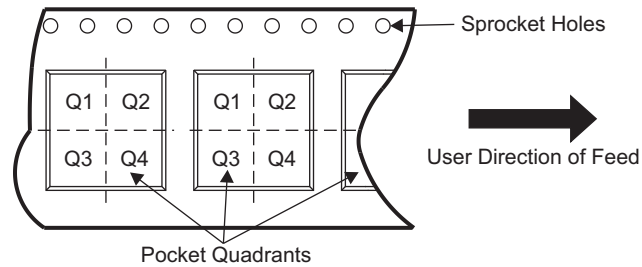
**Important Information and Disclaimer:** The information provided on this page represents TI's knowledge and belief as of the date that it is provided. TI bases its knowledge and belief on information provided by third parties, and makes no representation or warranty as to the accuracy of such information. Efforts are underway to better integrate information from third parties. TI has taken and continues to take reasonable steps to provide representative and accurate information but may not have conducted destructive testing or chemical analysis on incoming materials and chemicals. TI and TI suppliers consider certain information to be proprietary, and thus CAS numbers and other limited information may not be available for release.

In no event shall TI's liability arising out of such information exceed the total purchase price of the TI part(s) at issue in this document sold by TI to Customer on an annual basis.

### 13.1.2 Tape and Reel Information

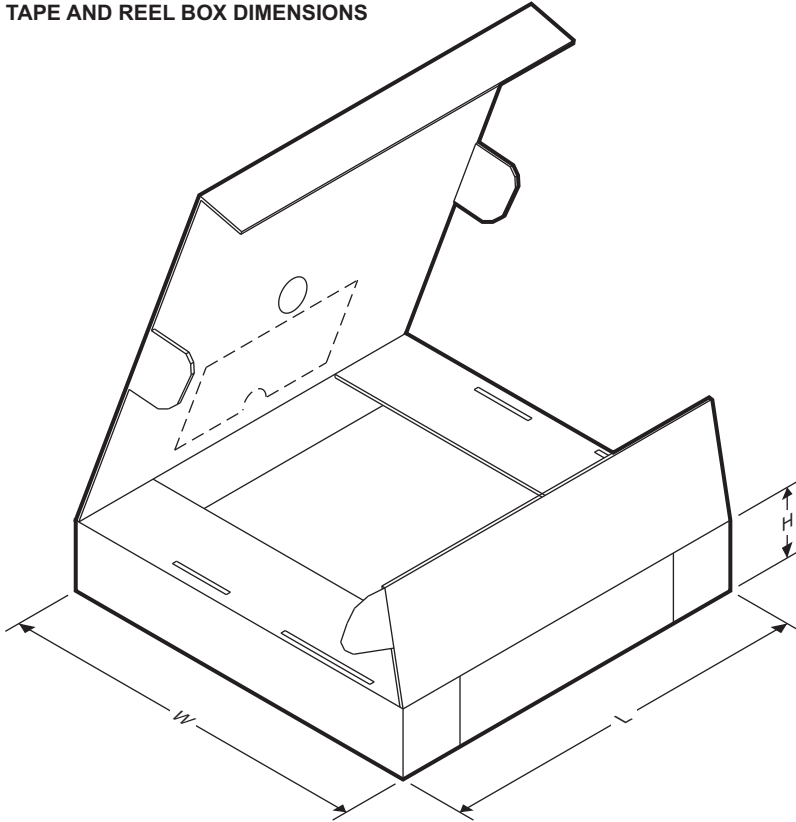


#### QUADRANT ASSIGNMENTS FOR PIN 1 ORIENTATION IN TAPE



Device	Package Type	Package Drawing	Pins	SPQ	Reel Diameter (mm)	Reel Width W1 (mm)	A0 (mm)	B0 (mm)	K0 (mm)	P1 (mm)	W (mm)	Pin1 Quadrant
TPS62243QDDCRQ1	SOT-23-THIN	DDC	5	3000	179.0	8.4	3.2	3.2	1.4	4.0	8.0	Q3
TPS62244QDDCRQ1	SOT-23-THIN	DDC	5	3000	179.0	8.4	3.2	3.2	1.4	4.0	8.0	Q3

**TAPE AND REEL BOX DIMENSIONS**



Device	Package Type	Package Drawing	Pins	SPQ	Length (mm)	Width (mm)	Height (mm)
TPS62243QDDCRQ1	SOT-23-THIN	DDC	5	3000	203.0	2.3.0	35.0
TPS62244QDDCRQ1	SOT-23-THIN	DDC	5	3000	203.0	2.3.0	35.0

**PACKAGING INFORMATION**

Orderable Device	Status (1)	Package Type	Package Drawing	Pins	Package Qty	Eco Plan (2)	Lead finish/ Ball material (6)	MSL Peak Temp (3)	Op Temp (°C)	Device Marking (4/5)	Samples
TPS62243QDDCRQ1	ACTIVE	SOT-23-THIN	DDC	5	3000	RoHS & Green	NIPDAU	Level-2-260C-1 YEAR	-40 to 125	113Z	<a href="#">Samples</a>
TPS62244QDDCRQ1	ACTIVE	SOT-23-THIN	DDC	5	3000	RoHS & Green	NIPDAU	Level-2-260C-1 YEAR	-40 to 125	112Z	<a href="#">Samples</a>

(1) The marketing status values are defined as follows:

**ACTIVE:** Product device recommended for new designs.

**LIFEBUY:** TI has announced that the device will be discontinued, and a lifetime-buy period is in effect.

**NRND:** Not recommended for new designs. Device is in production to support existing customers, but TI does not recommend using this part in a new design.

**PREVIEW:** Device has been announced but is not in production. Samples may or may not be available.

**OBSOLETE:** TI has discontinued the production of the device.

(2) **RoHS:** TI defines "RoHS" to mean semiconductor products that are compliant with the current EU RoHS requirements for all 10 RoHS substances, including the requirement that RoHS substance do not exceed 0.1% by weight in homogeneous materials. Where designed to be soldered at high temperatures, "RoHS" products are suitable for use in specified lead-free processes. TI may reference these types of products as "Pb-Free".

**RoHS Exempt:** TI defines "RoHS Exempt" to mean products that contain lead but are compliant with EU RoHS pursuant to a specific EU RoHS exemption.

**Green:** TI defines "Green" to mean the content of Chlorine (Cl) and Bromine (Br) based flame retardants meet JS709B low halogen requirements of <=1000ppm threshold. Antimony trioxide based flame retardants must also meet the <=1000ppm threshold requirement.

(3) MSL, Peak Temp. - The Moisture Sensitivity Level rating according to the JEDEC industry standard classifications, and peak solder temperature.

(4) There may be additional marking, which relates to the logo, the lot trace code information, or the environmental category on the device.

(5) Multiple Device Markings will be inside parentheses. Only one Device Marking contained in parentheses and separated by a "~" will appear on a device. If a line is indented then it is a continuation of the previous line and the two combined represent the entire Device Marking for that device.

(6) Lead finish/Ball material - Orderable Devices may have multiple material finish options. Finish options are separated by a vertical ruled line. Lead finish/Ball material values may wrap to two lines if the finish value exceeds the maximum column width.

**Important Information and Disclaimer:**The information provided on this page represents TI's knowledge and belief as of the date that it is provided. TI bases its knowledge and belief on information provided by third parties, and makes no representation or warranty as to the accuracy of such information. Efforts are underway to better integrate information from third parties. TI has taken and continues to take reasonable steps to provide representative and accurate information but may not have conducted destructive testing or chemical analysis on incoming materials and chemicals. TI and TI suppliers consider certain information to be proprietary, and thus CAS numbers and other limited information may not be available for release.

In no event shall TI's liability arising out of such information exceed the total purchase price of the TI part(s) at issue in this document sold by TI to Customer on an annual basis.



## TAPE AND REEL INFORMATION



### QUADRANT ASSIGNMENTS FOR PIN 1 ORIENTATION IN TAPE



\*All dimensions are nominal

Device	Package Type	Package Drawing	Pins	SPQ	Reel Diameter (mm)	Reel Width W1 (mm)	A0 (mm)	B0 (mm)	K0 (mm)	P1 (mm)	W (mm)	Pin1 Quadrant
TPS62243QDDCRQ1	SOT-23-THIN	DDC	5	3000	180.0	8.4	3.2	3.2	1.4	4.0	8.0	Q3
TPS62244QDDCRQ1	SOT-23-THIN	DDC	5	3000	180.0	8.4	3.2	3.2	1.4	4.0	8.0	Q3

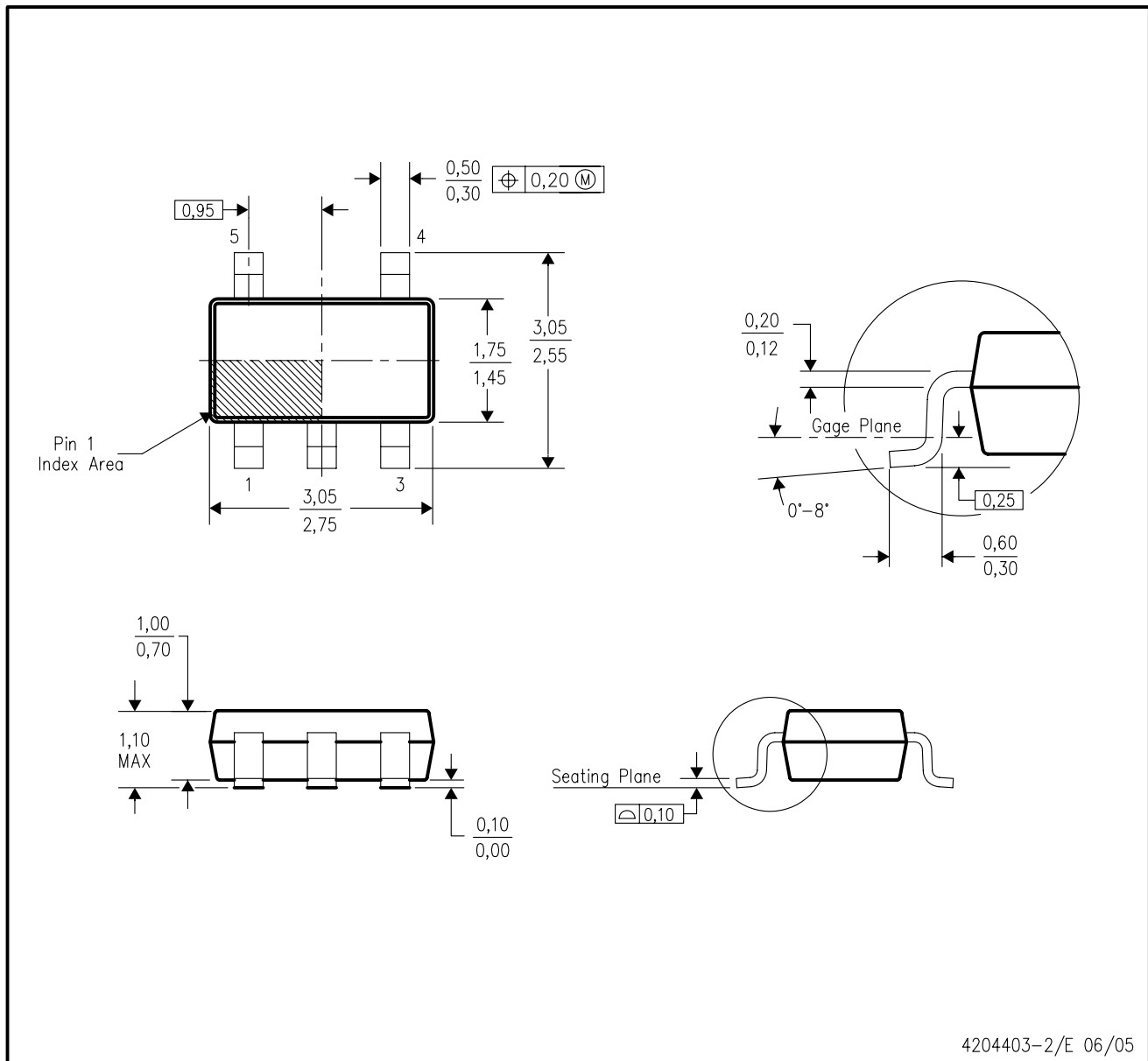
**TAPE AND REEL BOX DIMENSIONS**


\*All dimensions are nominal

Device	Package Type	Package Drawing	Pins	SPQ	Length (mm)	Width (mm)	Height (mm)
TPS62243QDDCRQ1	SOT-23-THIN	DDC	5	3000	213.0	191.0	35.0
TPS62244QDDCRQ1	SOT-23-THIN	DDC	5	3000	213.0	191.0	35.0

DDC (R-PDSO-G5)

PLASTIC SMALL-OUTLINE



- NOTES:
- All linear dimensions are in millimeters.
  - This drawing is subject to change without notice.
  - Body dimensions do not include mold flash or protrusion.
  - Falls within JEDEC MO-193 variation AB (5 pin).



## 重要声明和免责声明

TI 均以“原样”提供技术性 & 可靠性数据（包括数据表）、设计资源（包括参考设计）、应用或其他设计建议、网络工具、安全信息和其他资源，不保证其中不含任何瑕疵，且不做任何明示或暗示的担保，包括但不限于对适销性、适合某特定用途或不侵犯任何第三方知识产权的暗示担保。

所述资源可供专业开发人员应用 TI 产品进行设计使用。您将对以下行为独自承担全部责任：(1) 针对您的应用选择合适的 TI 产品；(2) 设计、验证并测试您的应用；(3) 确保您的应用满足相应标准以及任何其他安全、安保或其他要求。所述资源如有变更，恕不另行通知。TI 对您使用所述资源的授权仅限于开发资源所涉及 TI 产品的相关应用。除此之外不得复制或展示所述资源，也不提供其它 TI 或任何第三方的知识产权授权许可。如因使用所述资源而产生任何索赔、赔偿、成本、损失及债务等，TI 对此概不负责，并且您须赔偿由此对 TI 及其代表造成的损害。

TI 所提供产品均受 TI 的销售条款 (<http://www.ti.com.cn/zh-cn/legal/termsofsale.html>) 以及 [ti.com.cn](http://www.ti.com.cn) 上或随附 TI 产品提供的其他可适用条款的约束。TI 提供所述资源并不扩展或以其他方式更改 TI 针对 TI 产品所发布的可适用的担保范围或担保免责声明。

邮寄地址：上海市浦东新区世纪大道 1568 号中建大厦 32 楼，邮政编码：200122

Copyright © 2020 德州仪器半导体技术（上海）有限公司