

具有 2 个降压转换器和 4 个低输入电压 LDO 的 TPS65051-Q1 6 通道电源管理 IC

1 特性

- 符合汽车应用要求
- 具有符合 AEC-Q100 标准的下列结果：
 - 器件温度 1 级：-40°C 至 +125°C 的环境运行温度范围
 - 器件人体放电模式 (HBM) 静电放电 (ESD) 分类等级 H2
 - 器件组件充电模式 (CDM) ESD 分类等级 C3B
- 效率高达 95%
- 直流/直流转换器的输出电流：
DCDC1 = 1A; DCDC2 = 0.6A
- 直流/直流转换器的外部可调节输出电压
- DC-DC 转换器的 V_I 范围是 2.5V 至 6V
- 2.25MHz 固定频率运行
- 轻负载电流时的省电模式
- 180° 异相操作
- 脉宽调制模式下的输出电压精度 $\pm 1\%$
- 低纹波脉冲频率调制 (PFM) 模式
- 针对两个 DC-DC 转化器的总值为 32 μ A (典型值) 的静态电流
- 针对最低压降的占空比为 100%
- 两个通用 400mA, 高电源抑制比 (PSRR) LDO
- 两个通用 200mA, 高 PSRR LDO
- LDO 的 V_I 范围: 1.5V 至 6.5V
- LDO 的数字电压选择
- 采用 4mm x 4mm、32 引脚 VQFN 封装

2 应用

车用信息娱乐
汽车仪表盘
汽车数字音频广播

3 说明

TPS65051-Q1 器件是一款集成式电源管理 IC，适用于由一节锂离子或锂聚合物电池供电并需要多个电源轨的应用。TPS65051-Q1 器件提供两个高效的 2.25MHz 降压转换器，用于在基于处理器的系统中提供内核电压和 I/O 电压。为了在可能的最宽负载电流范围内实现最大效率，这两个降压转换器在轻负载时进入低功耗模式。

对于低噪声应用，用户可以通过将 MODE 引脚的电平拉高来强制器件进入固定频率 PWM 模式。运行在关断模式中可将流耗减少到少于 1 μ A。此器件允许使用小型电感器和电容器以实现一个小型解决方案尺寸。TPS65051-Q1 器件提供高达 1A (DCDC1) 和 0.6A (DCDC2) 的输出电流。TPS65051-Q1 器件还集成了两个 400mA LDO 和两个 200mA LDO 电压稳压器，可以使用每个 LDO 上的独立使能引脚打开或关闭相应的稳压器。每个 LDO 的工作输入电压介于 1.5V 至 6.5V 之间，这使得它们可以由其中一个降压转换器供电，也可以由主电池直接供电。

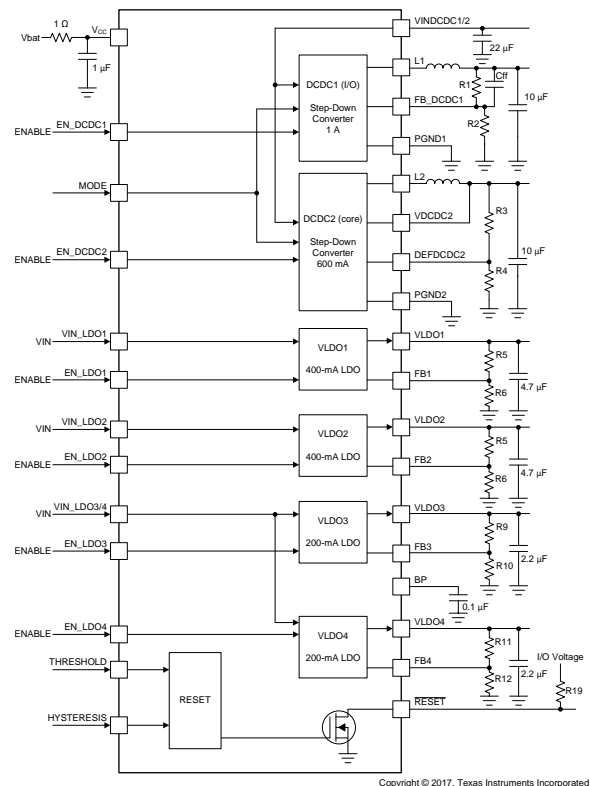
TPS65051-Q1 器件的 LDO 电压可以使用外部电阻分压器进行调节。

器件信息(1)

器件型号	封装	封装尺寸 (标称值)
TPS65051-Q1	VQFN (32)	4.00mm x 4.00mm

(1) 如需了解所有可用封装，请见数据表末尾的可订购产品附录。

方框图



Copyright © 2017, Texas Instruments Incorporated



目录

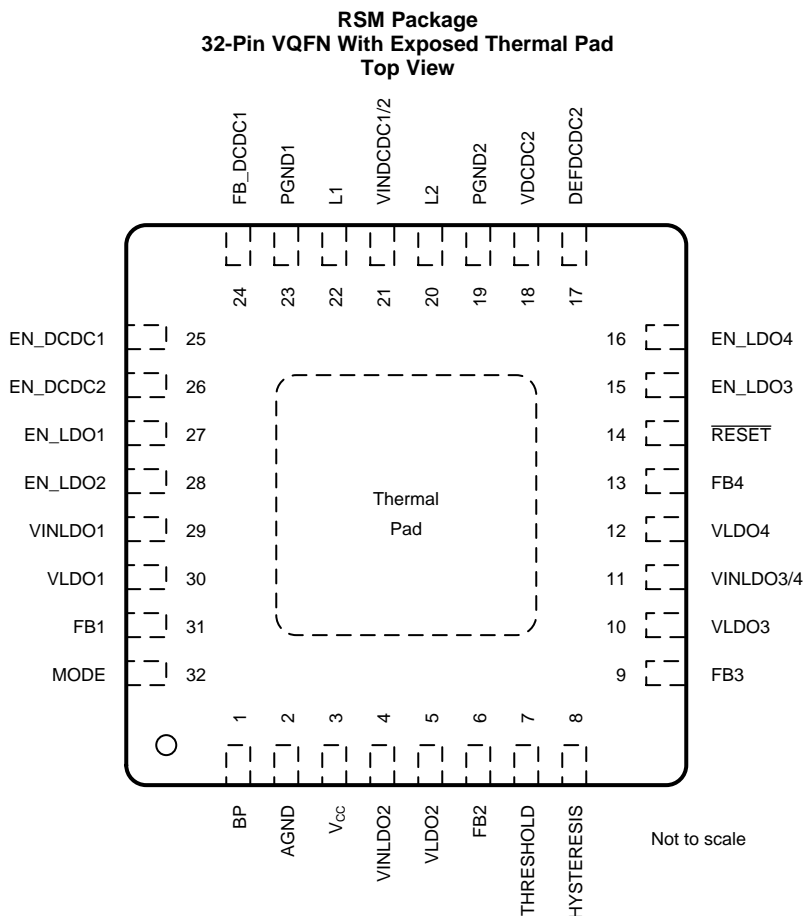
1	特性	1	7.3	Feature Description	11
2	应用	1	7.4	Device Functional Modes	14
3	说明	1	8	Application and Implementation	15
4	修订历史记录	2	8.1	Application Information	15
5	Pin Configuration and Functions	3	8.2	Typical Application	15
6	Specifications	4	9	Power Supply Recommendations	23
6.1	Absolute Maximum Ratings	4	10	Layout	23
6.2	ESD Ratings	4	10.1	Layout Guidelines	23
6.3	Recommended Operating Conditions	5	10.2	Layout Example	24
6.4	Thermal Information	5	11	器件和文档支持	25
6.5	Electrical Characteristics	6	11.1	接收文档更新通知	25
6.6	Switching Characteristics	8	11.2	社区资源	25
6.7	Typical Characteristics	8	11.3	商标	25
7	Detailed Description	10	11.4	静电放电警告	25
7.1	Overview	10	11.5	Glossary	25
7.2	Functional Block Diagram	10	12	机械、封装和可订购信息	25

4 修订历史记录

注：之前版本的页码可能与当前版本有所不同。

Changes from Revision A (November 2012) to Revision B	Page
• 已添加 添加了引脚配置和功能部分、ESD 额定值表、特性说明部分、器件功能模式、应用和实施部分、电源相关建议部分、布局部分、器件和文档支持部分以及机械、封装和可订购信息部分	1
• 已删除 删除了所有 TPS65050-Q1、TPS65052-Q1、TPS65054-Q1 和 TPS65056-Q1 器件型号引用	1
• Deleted the <i>Ordering Information</i> table	3
• Changed the resistor labels of R3, R4, and R5 to R13, R14, and R15 in the <i>RESET</i> section	20
• 已添加 添加了接收文档更新通知部分	25
• 已更改 更改了静电放电声明	25

5 Pin Configuration and Functions



Pin Functions

PIN		I/O	DESCRIPTION
NAME	NO.		
AGND	2	I	Analog GND, connect to PGND and thermal pad
BP	1	I	Input for bypass capacitor for internal reference
DEFDCDC2	17	I	Feedback pin for converter 2. Connect DEFDCDC2 to the center of the external resistor divider.
EN_DCDC1	25	I	Enable input for converter 1, active-high
EN_DCDC2	26	I	Enable input for converter 2, active-high
EN_LDO1	27	I	Enable input for LDO1. Logic high enables the LDO, logic low disables the LDO.
EN_LDO2	28	I	Enable input for LDO2. Logic high enables the LDO, logic low disables the LDO.
EN_LDO3	15	I	Enable input for LDO3. Logic high enables the LDO, logic low disables the LDO.
EN_LDO4	16	I	Enable input for LDO4. Logic high enables the LDO, logic low disables the LDO.
FB1	31	I	Feedback input for the external voltage divider
FB2	6	I	Feedback input for the external voltage divider
FB3	9	I	Feedback input for the external voltage divider
FB4	13	I	Feedback input for the external voltage divider
FB_DCDC1	24	I	Input to adjust output voltage of converter 1 between 0.6 V and V_I . Connect an external resistor divider between VOUT1, this pin, and GND.
HYSTERESIS	8	I	Input for hysteresis on reset threshold
L1	22	O	Switch pin of converter 1. Connected to inductor
L2	20	O	Switch pin of converter 2. Connected to inductor

Pin Functions (continued)

PIN		I/O	DESCRIPTION
NAME	NO.		
MODE	32	I	Select between power-safe mode and forced-PWM mode for DCDC1 and DCDC2. In power-safe mode, the device uses PFM at light loads, PWM for higher loads. Setting this pin to high level selects forced-PWM mode. If this pin has low level, then the device operates in power-safe mode.
PGND1	23	I	GND for converter 1
PGND2	19	I	GND for converter 2
RESET	14	O	Open-drain active-low reset output, 100-ms reset-delay time
THRESHOLD	7	I	Reset input
V _{CC}	3	I	Power supply for digital and analog circuitry of DCDC1, DCDC2 and LDOs. Connect this pin to the same voltage supply as VINDCDC1/2.
VDCDC2	18	I	Feedback voltage-sense input, connect directly to the output of converter 2.
VINDCDC1/2	21	I	Input voltage for VDCDC1 and VDCDC2 step-down converters. Connect this pin to the same voltage supply as V _{CC} .
VINLDO1	29	I	Input voltage for LDO1
VINLDO2	4	I	Input voltage for LDO2
VINLDO3/4	11	I	Input voltage for LDO3 and LDO4
VLDO1	30	O	Output voltage of LDO1
VLDO2	5	O	Output voltage of LDO2
VLDO3	10	O	Output voltage of LDO3
VLDO4	12	O	Output voltage of LDO4
Thermal pad		—	Connect to GND

6 Specifications

6.1 Absolute Maximum Ratings

 over operating free-air temperature range (unless otherwise noted)⁽¹⁾

		MIN	MAX	UNIT
V _I	Input voltage on all pins except AGND, PGND, and EN_LDO1 pins with respect to AGND	-0.3	7	V
	Input voltage range on EN_LDO1 pins with respect to AGND	-0.3	V _{CC} + 0.5	
I _I	Current at VINDCDC1/2, L1, PGND1, L2, PGND2		1800	mA
	Current at all other pins		1000	mA
V _O	Output voltage for LDO1, LDO2, LDO3, and LDO4	-0.3	4	V
	Continuous total power dissipation	See the Thermal Information		
T _A	Operating free-air temperature	-40	125	°C
T _{stg}	Storage temperature	-65	150	°C

- (1) Stresses beyond those listed under *Absolute Maximum Ratings* may cause permanent damage to the device. These are stress ratings only, which do not imply functional operation of the device at these or any other conditions beyond those indicated under *Recommended Operating Conditions*. Exposure to absolute-maximum-rated conditions for extended periods may affect device reliability.

6.2 ESD Ratings

		VALUE	UNIT
V _(ESD)	Electrostatic discharge		
	Human-body model (HBM), per AEC Q100-002 ⁽¹⁾	2000	V
	Charged-device model (CDM), per AEC Q100-011	750	V

- (1) AEC Q100-002 indicates that HBM stressing shall be in accordance with the ANSI/ESDA/JEDEC JS-001 specification.

6.3 Recommended Operating Conditions

over operating free-air temperature range (unless otherwise noted)

		MIN	NOM	MAX	UNIT
V_I	Input voltage for step-down converters, VINDCDC1/2	2.5		6	V
V_O	Output voltage for step-down converter, VDCDC1	0.6		VINDCDC1/2	V
	Output voltage for step-down converter, VDCDC2	0.6		VINDCDC1/2	V
V_I	Input voltage for LDOs, VINLDO1, VINLDO2, VINLDO3/4	1.5		6.5	V
V_O	Output voltage for LDO1 and LDO2	1		3.6	V
	Output voltage for LDO3 and LDO4	1		3.6	V
I_O	Output current at L1 (DCDC1)			1000	mA
	Output current at L2 (DCDC2)			600	mA
	Output current at VLDO1, VLDO2			400	mA
	Output current at VLDO3, VLDO4			200	mA
	Inductor at L1, L2 ⁽¹⁾	1.5	2.2		μH
C_O	Output capacitor at VDCDC1, VDCDC2 ⁽¹⁾	10	22		μF
	Output capacitor at VLDO1, VLDO2, VLDO3, VLDO4 ⁽¹⁾	2.2			μF
C_I	Input capacitor at VCC ⁽¹⁾	1			μF
	Input capacitor at VINLDO1, VINLDO2 ⁽¹⁾	2.2			μF
	Input capacitor at VINLDO3/4 ⁽¹⁾	2.2			μF
T_A	Operating ambient temperature	-40		125	°C
	Resistor from battery voltage to V _{CC} used for filtering ⁽²⁾		1	10	Ω

(1) See the [Application Information](#) section of this data sheet for more details.

(2) Up to 2 mA can flow into V_{CC}; when both converters are running in PWM, this resistor causes the UVLO threshold to shift accordingly.

6.4 Thermal Information

THERMAL METRIC ⁽¹⁾		TPS65051-Q1	UNIT
		RSM (VQFN)	
		32 PINS	
$R_{\theta JA}$	Junction-to-ambient thermal resistance	37.2	°C/W
$R_{\theta JC(top)}$	Junction-to-case (top) thermal resistance	30.1	°C/W
$R_{\theta JB}$	Junction-to-board thermal resistance	7.8	°C/W
Ψ_{JT}	Junction-to-top characterization parameter	0.4	°C/W
Ψ_{JB}	Junction-to-board characterization parameter	7.6	°C/W
$R_{\theta JC(bot)}$	Junction-to-case (bottom) thermal resistance	2.3	°C/W

(1) For more information about traditional and new thermal metrics, see the [Semiconductor and IC Package Thermal Metrics](#) application report.

6.5 Electrical Characteristics

$V_{CC} = V_{INDCDC1/2} = 3.6\text{ V}$, $EN = V_{CC}$, $MODE = GND$, $L = 2.2\ \mu\text{H}$, $C_O = 10\ \mu\text{F}$, $T_A = -40^\circ\text{C}$ to 125°C , typical values are at $T_A = 25^\circ\text{C}$ (unless otherwise noted).

PARAMETER		TEST CONDITIONS	MIN	TYP	MAX	UNIT
SUPPLY CURRENT						
V_I	Input voltage range at $V_{INDCDC1/2}$		2.5		6	V
I_Q	Operating quiescent current Total current into V_{CC} , $V_{INDCDC1/2}$, V_{INLDO1} , V_{INLDO2} , $V_{INLDO3/4}$	One converter, $I_O = 0\text{ mA}$. PFM mode enabled (Mode = GND) device not switching, $EN_{DCDC1} = V_I$ OR $EN_{DCDC2} = V_I$; $EN_{LDO1} = EN_{LDO2} = EN_{LDO3} = EN_{LDO} = GND$		20	30	μA
		Two converters, $I_O = 0\text{ mA}$. PFM mode enabled (Mode = 0) device not switching, $EN_{DCDC1} = V_I$ AND $EN_{DCDC2} = V_I$; $EN_{LDO1} = EN_{LDO2} = EN_{LDO3} = EN_{LDO4} = GND$		32	40	μA
		One converter, $I_O = 0\text{ mA}$. PFM mode enabled (Mode = GND) device not switching, $EN_{DCDC1} = V_I$ OR $EN_{DCDC2} = V_I$; $EN_{LDO1} = EN_{LDO2} = EN_{LDO3} = EN_{LDO4} = V_I$		180	250	μA
I_Q	Operating quiescent current into V_{CC}	One converter, $I_O = 0\text{ mA}$. Switching with no load (Mode = V_I), PWM operation $EN_{DCDC1} = V_I$ OR $EN_{DCDC2} = V_I$; $EN_{LDO1} = EN_{LDO2} = EN_{LDO3} = EN_{LDO} = GND$		0.85		mA
		Two converters, $I_O = 0\text{ mA}$. Switching with no load (Mode = V_I), PWM operation $EN_{DCDC1} = V_I$ AND $EN_{DCDC2} = V_I$; $EN_{LDO1} = EN_{LDO2} = EN_{LDO3} = EN_{LDO} = GND$		1.25		mA
$I_{(SD)}$	Shutdown current	$EN_{DCDC1} = EN_{DCDC2} = GND$ $EN_{LDO1} = EN_{LDO2} = EN_{LDO3} = EN_{LDO4} = GND$		9	12	μA
$V_{(UVLO)}$	Undervoltage lockout threshold for DC-DC converters and LDOs	Voltage at V_{CC}		1.8	2	V
EN_{DCDC1}, EN_{DCDC2}, $DEFDCDC2$, $DEFLDO1$, $DEFLDO2$, $DEFLDO3$, $DEFLDO4$, EN_{LDO1}, EN_{LDO2}, EN_{LDO3}, EN_{LDO4}						
V_{IH}	High-level input voltage	MODE, EN_{DCDC1} , EN_{DCDC2} , $DEFDCDC2$, $DEFLDO1$, $DEFLDO2$, $DEFLDO3$, $DEFLDO4$, EN_{LDO1} , EN_{LDO2} , EN_{LDO3} , EN_{LDO4}	1.2		V_{CC}	V
V_{IL}	Low-level input voltage	MODE, EN_{DCDC1} , EN_{DCDC2} , $DEFDCDC2$, $DEFLDO1$, $DEFLDO2$, $DEFLDO3$, $DEFLDO4$, EN_{LDO1} , EN_{LDO2} , EN_{LDO3} , EN_{LDO4} , $DEFDCDC2$	0		0.4	V
I_{IB}	Input bias current	MODE = GND or V_I MODE, EN_{DCDC1} , EN_{DCDC2} , $DEFDCDC2$, $DEFLDO1$, $DEFLDO2$, $DEFLDO3$, $DEFLDO4$, EN_{LDO1} , EN_{LDO2} , EN_{LDO3} , EN_{LDO4}		0.01	1	μA
		$V_{FB_LDOx} = 1\text{ V}$, FB_{LDO1} , FB_{LDO2} , FB_{LDO3} , FB_{LDO4}			100	nA
POWER SWITCH						
$r_{DS(on)}$	P-channel MOSFET on-resistance	DCDC1	$V_{INDCDC1/2} = 3.6\text{ V}$	280	630	m Ω
			$V_{INDCDC1/2} = 2.5\text{ V}$	400		
		DCDC2	$V_{INDCDC1/2} = 3.6\text{ V}$	280	630	
			$V_{INDCDC1/2} = 2.5\text{ V}$	400		
I_{lkg}	P-channel leakage current	$V_{DCDCx} = V_{(DS)} = 6\text{ V}$			1	μA
$r_{DS(on)}$	N-channel MOSFET on-resistance	DCDC1	$V_{INDCDC1/2} = 3.6\text{ V}$	220	450	m Ω
			$V_{INDCDC1/2} = 2.5\text{ V}$	320		
		DCDC2	$V_{INDCDC1/2} = 3.6\text{ V}$	220	450	
			$V_{INDCDC1/2} = 2.5\text{ V}$	320		
I_{lkg}	N-channel leakage current	$V_{DCDCx} = V_{(DS)} = 6\text{ V}$		7	10	μA
$I_{(LMF)}$	Forward current limit PMOS (high side) and NMOS (low side)	DCDC1, $2.5\text{ V} \leq V_{INDCDC1/2} \leq 6\text{ V}$	1.19	1.4	1.65	A
		DCDC2, $2.5\text{ V} \leq V_{INDCDC1/2} \leq 6\text{ V}$	0.85	1	1.15	
	Thermal shutdown	Increasing junction temperature		150		$^\circ\text{C}$
	Thermal shutdown hysteresis	Decreasing junction temperature		20		$^\circ\text{C}$
OUTPUT						
V_O	Output-voltage range for DCDC1, DCDC2		0.6	$V_{INDCDC1/2}$		V
V_{ref}	Reference voltage			600		mV

Electrical Characteristics (continued)

$V_{CC} = V_{INDCDC1/2} = 3.6\text{ V}$, $EN = V_{CC}$, $MODE = GND$, $L = 2.2\ \mu\text{H}$, $C_O = 10\ \mu\text{F}$, $T_A = -40^\circ\text{C}$ to 125°C , typical values are at $T_A = 25^\circ\text{C}$ (unless otherwise noted).

PARAMETER		TEST CONDITIONS	MIN	TYP	MAX	UNIT
V_O	DC output-voltage accuracy, DCDC1, DCDC2 ⁽¹⁾	$V_{INDCDC1/2} = 2.5\text{ V}$ to 6 V , $0\text{ mA} < I_O < I_O(\text{maximum})$ MODE = GND, PFM operation	-2%	0	2%	
		$V_{INDCDC1/2} = 2.5\text{ V}$ to 6 V , $0\text{ mA} < I_O < I_O(\text{maximum})$ MODE = V_I , PWM operation	-1%	0	1%	
ΔV_O	Power-save-mode ripple voltage ⁽²⁾	$I_O = 1\text{ mA}$, MODE = GND, $V_O = 1.3\text{ V}$, bandwidth = 20 MHz		25		mV _{PP}
V_{OL}	$\overline{\text{RESET}}$, PB_OUT output low voltage	$I_{OL} = 1\text{ mA}$, $V_{\text{hysteresis}} < 1\text{ V}$, $V_{\text{threshold}} < 1\text{ V}$			0.2	V
I_{OL}	$\overline{\text{RESET}}$, PB_OUT sink current			1		mA
	$\overline{\text{RESET}}$, PB_OUT output leakage current	After PB_IN has been pulled high once; $V_{\text{threshold}} > 1\text{ V}$ and $V_{\text{hysteresis}} > 1\text{ V}$, $V_{OH} = 6\text{ V}$		10		nA
V_{th}	$V_{\text{threshold}}$, $V_{\text{hysteresis}}$ threshold		0.98	1	1.02	V
VLDO1, VLDO2, VLDO3 AND VLDO4 LOW-DROPOUT REGULATORS						
V_I	Input-voltage range for LDO1, LDO2, LDO3, LDO4		1.5		6.5	V
$V_{(FB)}$	Feedback voltage for FB_LDO1, FB_LDO2, FB_LDO3, and FB_LDO4			1		V
I_O	Maximum output current for LDO1, LDO2		400			mA
	Maximum output current for LDO3, LDO4		200			
$I_{(SC)}$	LDO1 short-circuit current limit	VLDO1 = GND			750	mA
	LDO2 short-circuit current limit	VLDO2 = GND			850	
	LDO3 and LDO4 short-circuit current limit	VLDO3 = GND, VLDO4 = GND			420	
	Dropout voltage at LDO1	$I_O = 400\text{ mA}$, $V_{INLDO} = 3.4\text{ V}$			400	mV
	Dropout voltage at LDO2	$I_O = 400\text{ mA}$, $V_{INLDO} = 1.8\text{ V}$			280	
	Dropout voltage at LDO3, LDO4	$I_O = 200\text{ mA}$, $V_{INLDO} = 1.8\text{ V}$			280	
I_{ikg}	Leakage current from V_{inLDOx} to VLDOx	LDO enabled, $V_{INLDO} = 6.5\text{ V}$, $V_O = 1\text{ V}$ at $T_A = 140^\circ\text{C}$		3		μA
V_O	Output voltage accuracy for LDO1, LDO2, LDO3, LDO4	$I_O = 10\text{ mA}$	-2%		1%	
	Line regulation for LDO1, LDO2, LDO3, LDO4	$V_{INLDO1,2} = V_{LDO1,2} + 0.5\text{ V}$ (minimum 2.5 V) to 6.5 V, $V_{INLDO3,4} = V_{LDO3,4} + 0.5\text{ V}$ (minimum 2.5 V) to 6.5 V, $I_O = 10\text{ mA}$	-1%		1%	
	Load regulation for LDO1, LDO2, LDO3, LDO4	$I_O = 0\text{ mA}$ to 400 mA for LDO1, LDO2 $I_O = 0\text{ mA}$ to 200 mA for LDO3, LDO4	-1%		1%	
PSRR	Power-supply rejection ratio	$f = 10\text{ kHz}$; $I_O = 50\text{ mA}$; $V_I = V_O + 1\text{ V}$		70		dB
$R_{(DIS)}$	Internal discharge resistor at VLDO1, VLDO2, VLDO3, VLDO4	Active when LDO is disabled		350		Ω
	Thermal shutdown	Increasing junction temperature		140		$^\circ\text{C}$
	Thermal shutdown hysteresis	Decreasing junction temperature		20		$^\circ\text{C}$

(1) Output voltage specification does not include tolerance of external voltage-programming resistors.

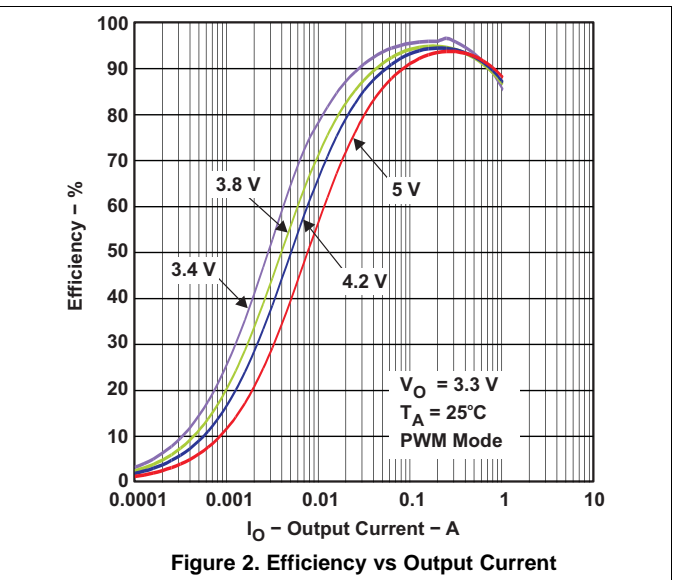
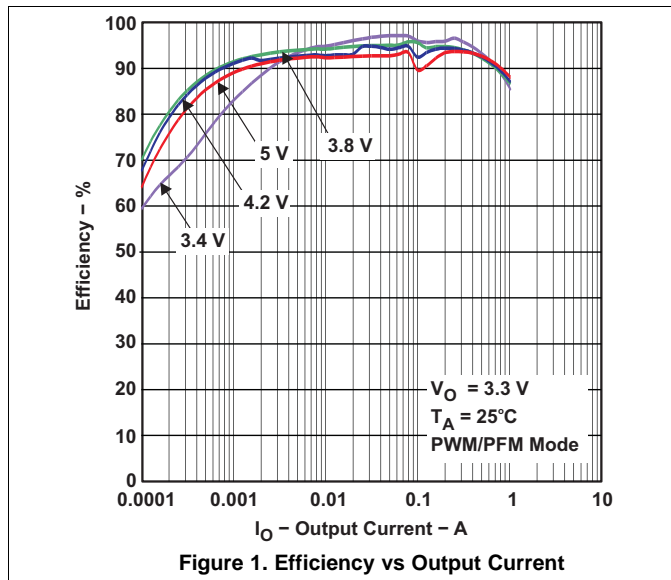
(2) In power-save mode, device typically enters operation at $I_{PSM} = V_I / 32\ \Omega$.

6.6 Switching Characteristics

$V_{CC} = V_{INDCDC1/2} = 3.6\text{ V}$, $EN = V_{CC}$, $MODE = GND$, $L = 2.2\ \mu\text{H}$, $C_O = 10\ \mu\text{F}$, $T_A = -40^\circ\text{C}$ to 125°C , typical values are at $T_A = 25^\circ\text{C}$ (unless otherwise noted).

PARAMETER	TEST CONDITIONS	MIN	TYP	MAX	UNIT		
OSCILLATOR							
f_{SW}	Oscillator frequency	2.025	2.25	2.475	MHz		
OUTPUT							
t_{Start}	Start-up time	Time from active EN to start switching		170	μs		
t_{Ramp}	VOUT ramp-up time	Time to ramp from 5% to 95% of V_O		750	μs		
	RESET delay time	Input voltage at threshold pin rising		80	100	120	ms
	PB-ONOFF debounce time	26	32	38	ms		
VLDO1, VLDO2, VLDO3 AND VLDO4 LOW-DROPOUT REGULATORS							
	Regulation time for LDO1, LDO2, LDO3, LDO4	Load change from 10% to 90%		10	μs		

6.7 Typical Characteristics



Typical Characteristics (continued)

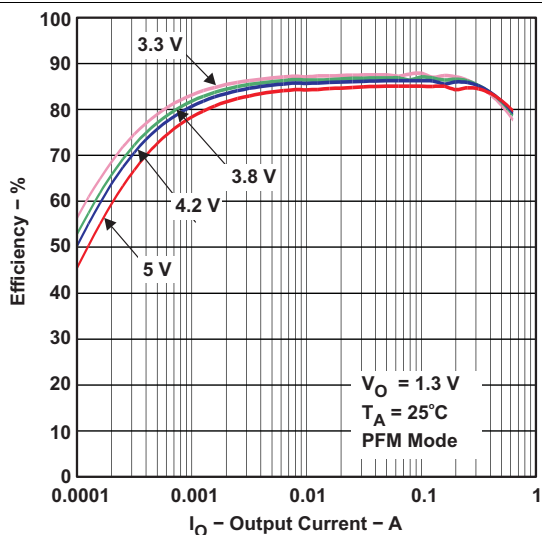


Figure 3. Efficiency vs Output Current

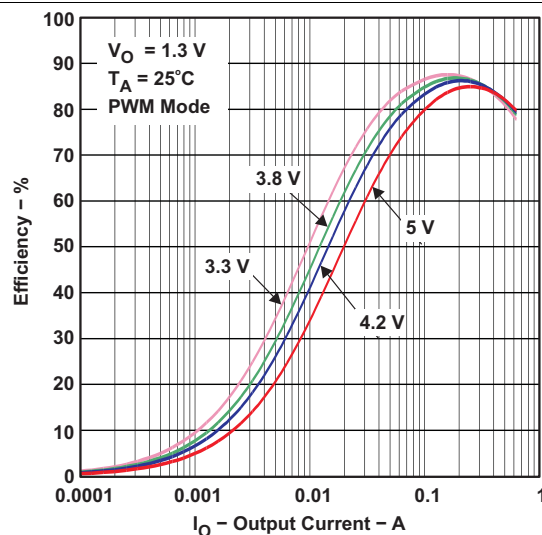


Figure 4. Efficiency vs Output Current

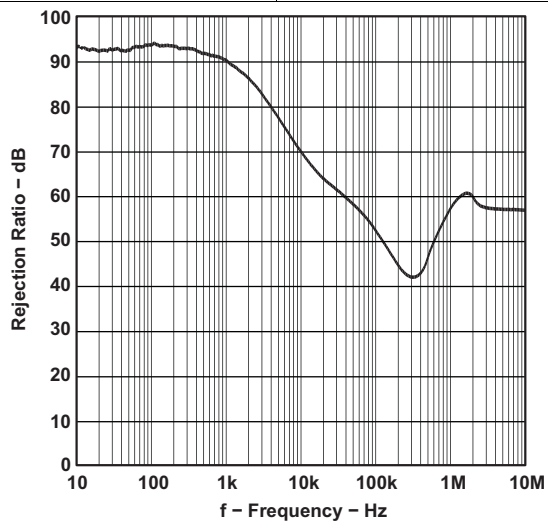


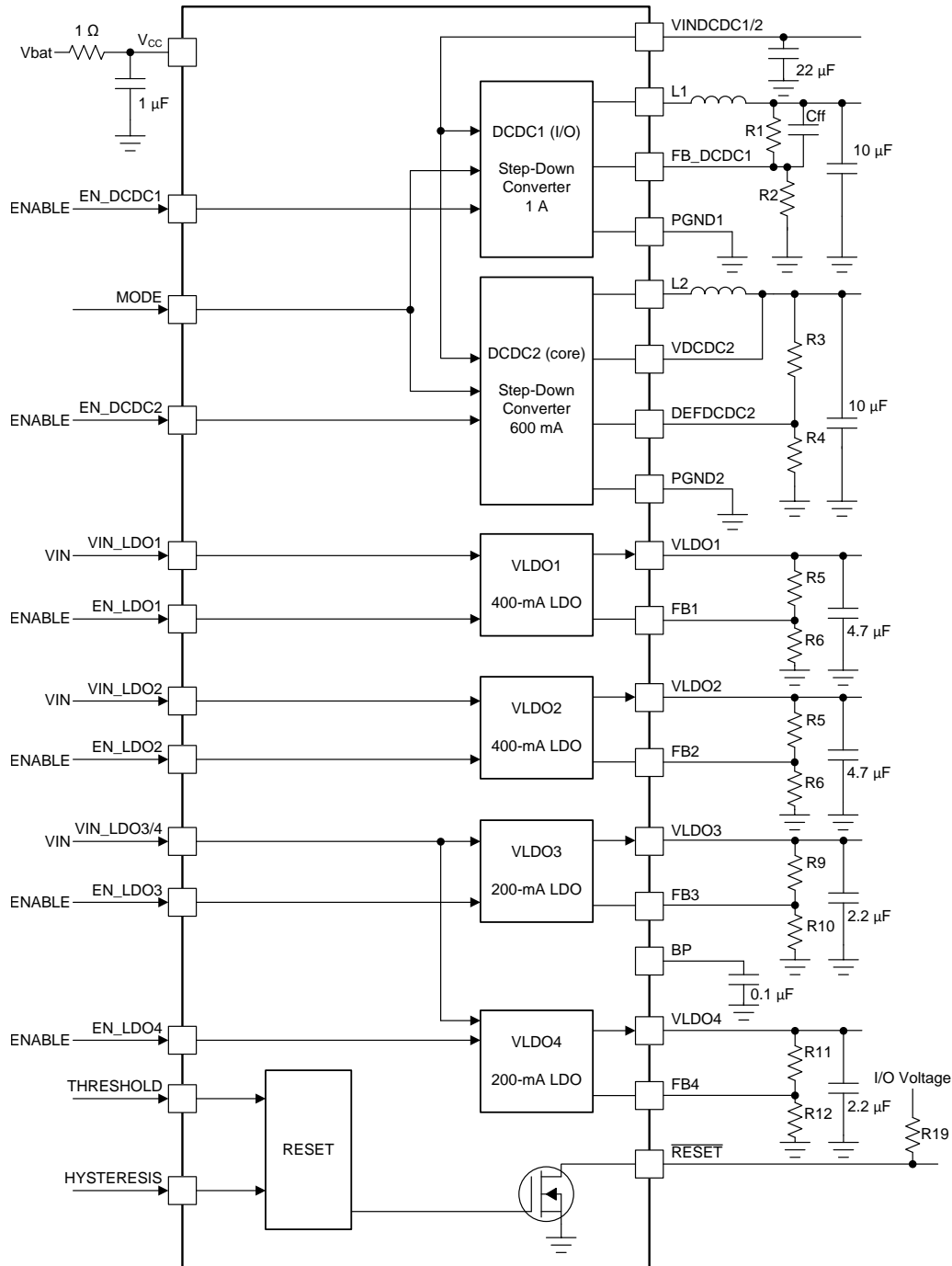
Figure 5. Power-Supply Rejection Ratio vs Frequency

7 Detailed Description

7.1 Overview

The TPS65051-Q1 device has 2 DC-DC buck converters and 4 LDOs. Each DC-DC and LDO has enable pins, allowing external sequence control of the PMU rails. The device also has a RESET feature that is generated from a THRESHOLD comparator. This RESET signal can be used to reset or warn of power shutdown to the embedded microcontroller or processor. The TPS65051-Q1 device makes power-system integration easy for a variety of embedded processors or FPGAs.

7.2 Functional Block Diagram



Copyright © 2017, Texas Instruments Incorporated

7.3 Feature Description

7.3.1 Operation

The TPS65051-Q1 device has two synchronous step-down converters. The converters operate with 2.25-MHz (typical) fixed-frequency pulse-width modulation (PWM) at moderate to heavy load currents. At light load currents, the converters automatically enter power-save mode and operate with PFM (pulse-frequency modulation).

During PWM operation, the converters use a unique fast-response voltage-mode controller scheme with input voltage feed-forward to achieve good line and load regulation, allowing the use of small ceramic input and output capacitors. At the beginning of each clock cycle initiated by the clock signal, the P-channel MOSFET switch turns on, the inductor current ramps up until the current comparator trips, and the control logic turns off the switch. The current-limit comparator turns off the switch if the current exceeds the limit of the P-channel switch. After the adaptive dead time, which prevents shoot-through current, the N-channel MOSFET rectifier turns on, and the inductor current ramps down. The clock signal turning off the N-channel rectifier and turning on the on the P-channel switch initiates the next cycle.

The two DC-DC converters operate synchronized to each other, with converter 1 as the master. A 180° phase shift between converter 1 and converter 2 decreases the input rms current, allowing the use of smaller input capacitors.

7.3.2 DCDC1 Converter

An external resistor divider connected to FB_DCDC1 pin sets the converter 1 output voltage. See the [Converter 1 \(DCDC1\)](#) section for more details. The maximum output current is 1 A.

7.3.3 DCDC2 Converter

Connect the VDCDC2 pin directly to the DCDC2 converter output voltage. The DEFDCDC2 pin selects the DCDC2 converter output voltage. See the [Converter 2 \(DCDC2\)](#) section for more details. The maximum output current is 600 mA.

An external resistor divider sets the output voltage. Connect the DEFDCDC2 pin to the external resistor divider.

7.3.4 Dynamic Voltage Positioning

This feature reduces the voltage under- and overshoots at load steps from light to heavy load and vice versa. It is activated in the power-save mode of operation, running the converter in PFM mode activates dynamic voltage positioning. Dynamic voltage positioning provides more headroom for both the voltage drop at a load step and the voltage increase at a load throw-off, thereby improving load-transient behavior.

At light loads, in which the converters operate in PFM mode, the typical output-voltage regulation is 1% higher than the nominal value. In the event of a load transient from light load to heavy load, the output voltage drops until it reaches the skip-comparator-low threshold, set to 1% below the nominal value, and enters PWM mode. During a release from heavy load to light load, active regulation turning on the N-channel switch minimizes the voltage overshoot.

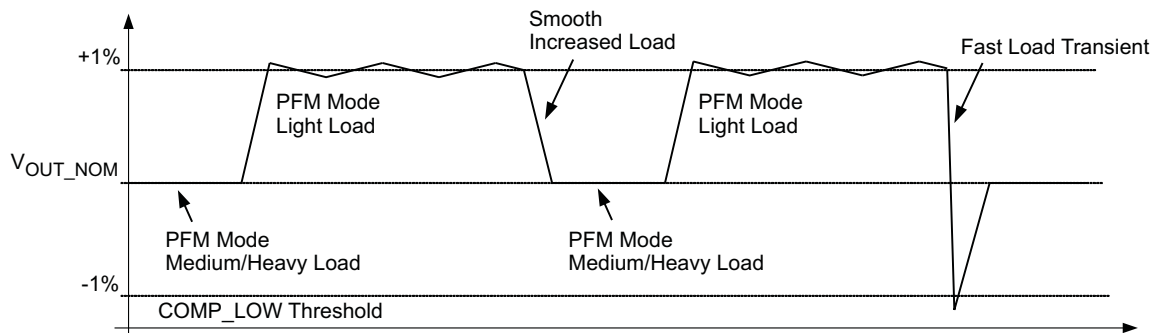


Figure 6. Dynamic Voltage Positioning

Feature Description (continued)

7.3.5 Soft Start

The two converters have an internal soft-start circuit that limits the inrush current during start-up. During soft start, control of the output-voltage ramp-up is as shown in Figure 7.

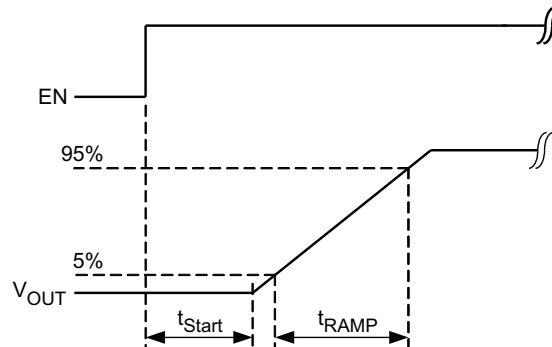


Figure 7. Soft Start

7.3.6 100% Duty-Cycle Low-Dropout Operation

The converters offer a low input-to-output voltage difference while still maintaining operation with the use of the 100% duty-cycle mode. In this mode, the P-channel switch is constantly on. This operational mode is useful in battery-powered applications to achieve longest operation time by taking full advantage of the whole battery voltage range, (that is, the minimum input voltage to maintain regulation depends on the load current and output voltage) and can be calculated as:

$$V_I(\text{min}) = V_O(\text{max}) + I_O(\text{max}) \times (r_{DS(\text{on})}(\text{max}) + R_L)$$

where

- $I_O \text{ max}$ = maximum output current plus inductor ripple current
- $r_{DS(\text{on})} \text{ max}$ = maximum P-channel switch $r_{DS(\text{on})}$
- R_L = dc resistance of the inductor
- $V_O(\text{max})$ = nominal output voltage plus maximum output-voltage tolerance

(1)

7.3.7 Undervoltage Lockout

The undervoltage-lockout circuit prevents the device from malfunctioning at low input voltages and from excessive discharge of the battery, and disables all internal circuitry. The undervoltage-lockout threshold, sensed at the V_{CC} pin, is typically 1.8 V, maximum 2 V.

7.3.8 Mode Selection

The MODE pin allows mode selection between forced PWM mode and power-save mode for both converters. Connecting this pin to GND enables the automatic PWM and power-save mode of operation. The converters operate in fixed-frequency PWM mode at moderate-to-heavy loads and in the PFM mode during light loads, maintaining high efficiency over a wide load-current range.

Pulling the MODE pin high forces both converters to operate constantly in the PWM mode even at light load currents. The advantage is the converters operate with a fixed frequency that allows simple filtering of the switching frequency for noise-sensitive applications. In this mode, the efficiency is lower compared to the power-save mode during light loads. For additional flexibility, it is possible to switch from power-save mode to forced-PWM mode during operation. This allows efficient power management by adjusting the operation of the converters to the specific system requirements.

7.3.9 Enable

To start up each converter independently, the device has a separate enable pin for each DC-DC converter and for each LDO. If EN_DCDC1, EN_DCDC2, EN_LDO1, EN_LDO2, EN_LDO3, or EN_LDO4 is set to high, the corresponding converter starts up with soft start as previously described.

Feature Description (continued)

Pulling the enable pin low forces the device into shutdown, with a shutdown quiescent current as defined in the electrical characteristics. In this mode, the P- and N-Channel MOSFETs turn off, and the entire internal control circuitry switches off. If disabled, internal 350-Ω resistors pull the outputs of the LDOs low, actively discharging the output capacitor. Proper operation requires termination of the enable pins. Do not leave them unconnected.

7.3.10 $\overline{\text{RESET}}$

The device contains circuitry that can generate a reset pulse for a processor with a 100-ms delay time. The device senses the input voltage for a comparator at the THRESHOLD pin. When the voltage exceeds the threshold, the output goes high with a 100-ms delay time. An external resistor connected to the HYSTERESIS input defines the hysteresis. This circuitry is functional as soon as the supply voltage at V_{CC} exceeds the undervoltage-lockout threshold. The TPS65051-Q1 device has a shutdown current (all DC-DC converters and LDOs are off) of 9 μA .

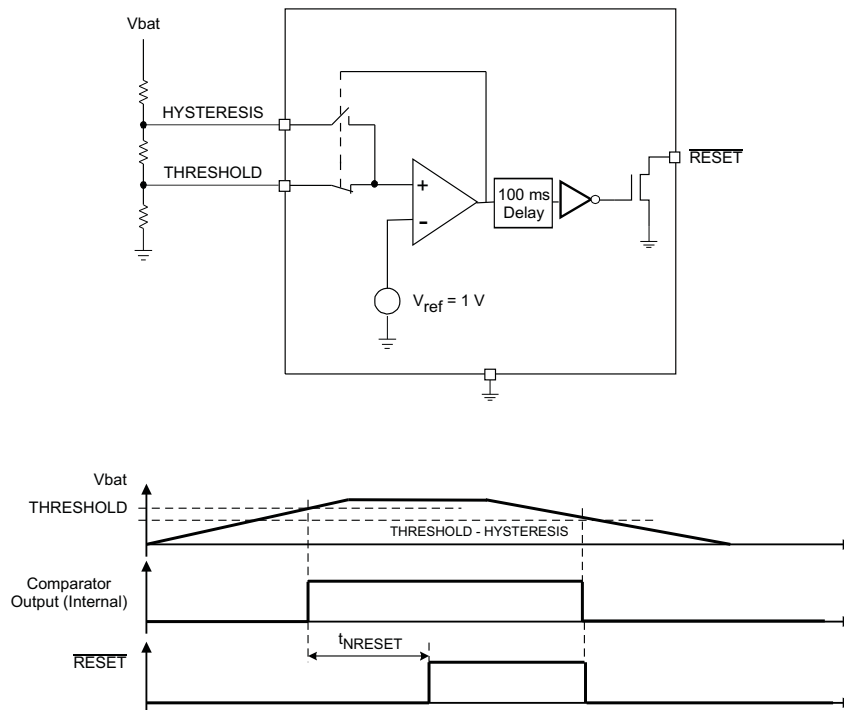


Figure 8. $\overline{\text{RESET}}$ Pulse Circuit

7.3.11 Short-Circuit Protection

All outputs are short-circuit protected with a maximum output current as defined in the [Electrical Characteristics](#).

7.3.12 Thermal Shutdown

As soon as the junction temperature, T_J , exceeds 150°C (typically) for the DC-DC converters, the device goes into thermal shutdown. In this mode, the P- and N-channel MOSFETs turn off. The device continues its operation when the junction temperature falls below the thermal shutdown hysteresis again. A thermal shutdown for one of the DC-DC converters disables both converters simultaneously.

The thermal shutdown temperature for the LDOs is typically 140°C. Therefore, an LDO used to power an external voltage never heats up the chip high enough to turn off the DC-DC converters. If one LDO exceeds the thermal shutdown temperature, all LDOs turn off simultaneously.

Feature Description (continued)

7.3.13 Low Dropout Voltage Regulators

The design of the low-dropout voltage regulators allows them to operate well with small ceramic input and output capacitors. They operate with input voltages down to 1.5 V. The LDOs offer a maximum dropout voltage of 400 mV (LDO1) and 280 mV (LDO2, LDO3, and LDO4) at rated output current. Each LDO supports a current-limit feature. The EN_LDO1, ENLDO2, EN_LDO3, and EN_LDO4 pins enable the LDOs. The use of external resistor dividers sets the output voltage of the LDOs.

7.4 Device Functional Modes

7.4.1 Power-Save Mode

The TPS65051-Q1 device is either in the ON or the OFF mode. The OFF mode is entered when the voltage on V_{CC} is below the UVLO threshold of 1.8 V (typically). When the voltage at the V_{CC} pin is higher than UVLO, the device enters ON mode. In the ON mode, the converters and LDOs are available for use.

Setting the MODE pin to 0 enables the power-save mode. If the load current decreases, the converters enter the power-save mode of operation automatically. During power-save mode, the converters operate with reduced switching frequency in PFM mode, and with a minimum quiescent current to maintain high efficiency. The converters position the output voltage 1% above the nominal output voltage. This voltage-positioning feature minimizes voltage drops caused by a sudden load step.

To optimize the converter efficiency at light load, the TPS65051-Q1 device monitors average current. If in PWM mode, the inductor current remains below a certain threshold, then the device enters power-save mode. Use [Equation 2](#) to calculate the average output current threshold to enter PFM mode. Use [Equation 3](#) to calculate the average output current threshold to leave PFM mode.

$$I_{(PFM_enter)} = \frac{V_{INDCDC}}{32 \Omega} \quad (2)$$

$$I_{(PSMDCDC_leave)} = \frac{V_{INDCDC}}{24 \Omega} \quad (3)$$

During power-save mode, a comparator monitors the output voltage. As the output voltage falls below the skip-comparator (skip comp) threshold, the P-channel switch turns on, and the converter effectively delivers a constant current. If the load is below the delivered current, the output voltage rises until it crosses the skip comp threshold again; then all switching activity ceases, reducing the quiescent current to a minimum until the output voltage has dropped below the threshold. If the load current is greater than the delivered current, the output voltage falls until it crosses the skip-comparator-low (skip comp low) threshold set to 1% below nominal V_O ; then the device exits power-save mode, and the converter returns to the PWM mode.

These control methods reduce the quiescent current to 12 μ A per converter and the switching frequency to a minimum, achieving the highest converter efficiency. The PFM mode operates with low output-voltage ripple. The ripple depends on the comparator delay and the size of the output capacitor; increasing capacitor value decreases the output ripple voltage.

Disable the power-save mode by driving the MODE pin high. In forced-PWM mode, both converters operate with fixed-frequency PWM mode regardless of the load.

8 Application and Implementation

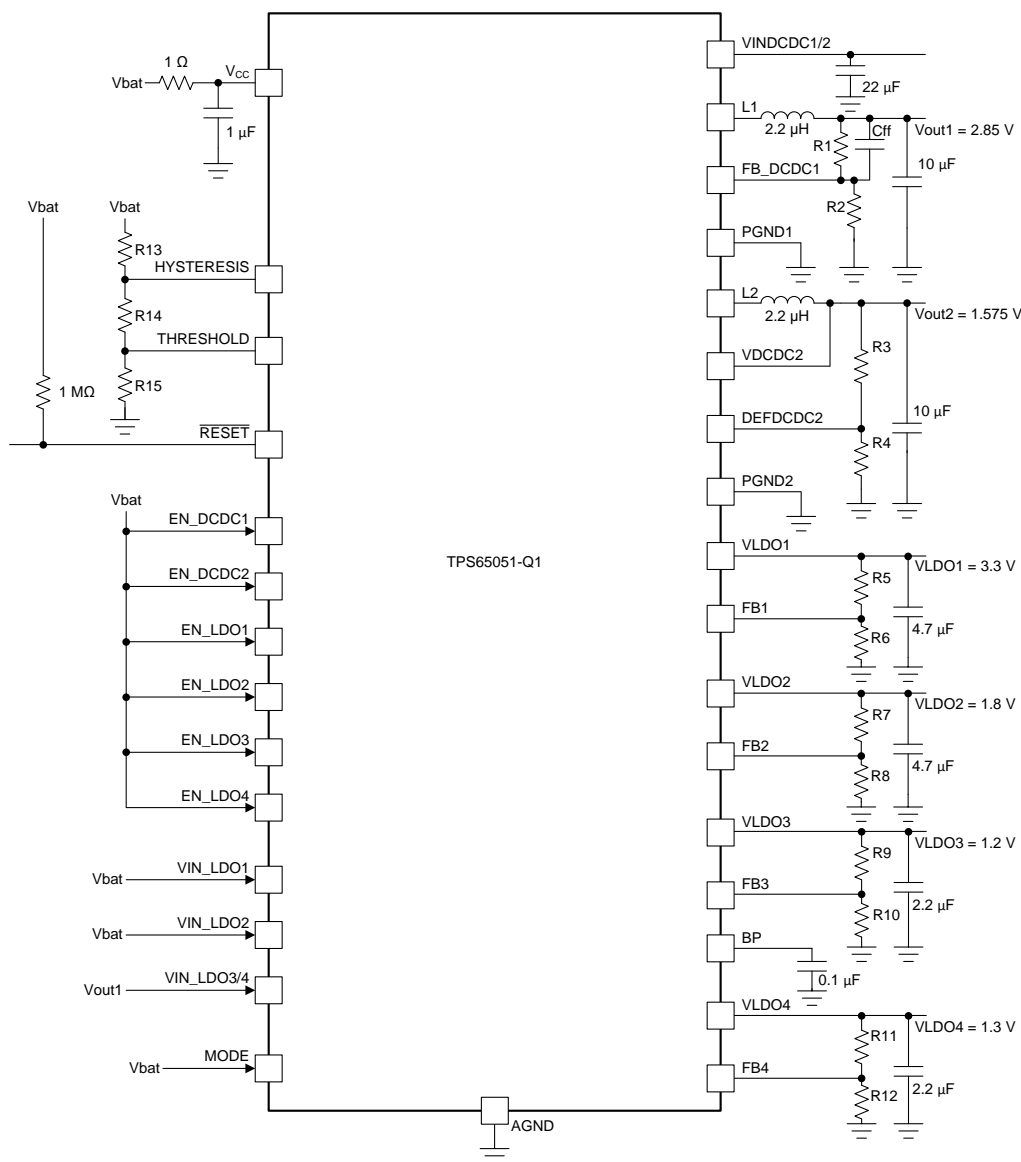
NOTE

Information in the following applications sections is not part of the TI component specification, and TI does not warrant its accuracy or completeness. TI's customers are responsible for determining suitability of components for their purposes. Customers should validate and test their design implementation to confirm system functionality.

8.1 Application Information

This device integrates two step-down converters and four LDOs, which can be used to power the voltage rails needed by a processor or any other application. The power management IC (PMIC) can be controlled through the ENABLE and MODE pins or sequenced from the VIN using RC delay circuits. A logic output (RESET) provides the application processor or load a logic signal indicating power good or reset.

8.2 Typical Application



Copyright © 2017, Texas Instruments Incorporated

Figure 9. Typical Application Schematic

Typical Application (continued)

8.2.1 Design Requirements

Table 1 lists the design requirements for this example.

Table 1. Design Parameters

PARAMETER	VALUE
DCDC1 and DCDC2 input voltage	2.5 V to 6 V
DCDC1 output voltage	2.85 V
DCDC1 output current	1 A
DCDC2 output voltage	1.575 V
DCDC2 output current	600 mA
LDO1 output voltage	3.3 V
LDO1 output current	400 mA
LDO2 output voltage	1.8 V
LDO2 output current	400 mA
LDO3 output voltage	1.2 V
LDO3 output current	200 mA
LDO4 output voltage	1.3 V
LDO4 output current	200 mA

8.2.2 Detailed Design Procedure

8.2.2.1 Output-Voltage Setting

8.2.2.1.1 Converter 1 (DCDC1)

An external resistor network can set the output voltage of converter 1. Calculate the output voltage using Equation 4,

$$V_O = V_{ref} \times \left(1 + \frac{R1}{R2} \right)$$

where

- the internal reference voltage, V_{ref} , is 0.6 V (4)

TI recommends setting the total resistance of $R1 + R2$ to less than 1 M Ω . The resistor network connects to the input of the feedback amplifier, therefore requiring a small feed-forward capacitor in parallel with R1. A typical value of 47 pF is sufficient.

8.2.2.1.2 Converter 2 (DCDC2)

The adjustable output voltage is defined with external resistor network on the DEFDCDC2 pin.

Calculation of the adjustable output voltage is similar to that for the DCDC1 converter. TI recommends setting the total resistance of R3 + R4 to less than 1 MΩ. Route the DEFDCDC2 line separate from noise sources, such as the inductor or the L2 line. Connect the VDCDC2 line directly to the output capacitor. As VDCDC2 is the sense pin for the output of L2, there is no need for a feedforward capacitor in conjunction with R3.

Use an external resistor divider at DEFDCDC2 as shown in Figure 10.

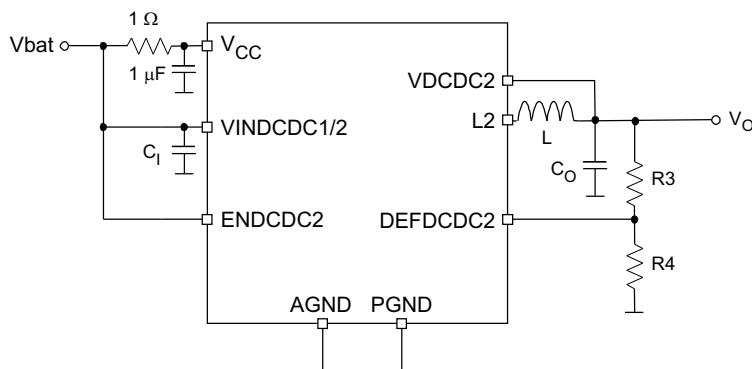


Figure 10. External Resistor Divider

$$V_{(DEFDCDC2)} = 0.6 \text{ V}$$

$$V_O = V_{(DEFDCDC2)} \times \frac{R3 + R4}{R4} \quad R3 = R4 \times \left(\frac{V_O}{V_{(DEFDCDC2)}} \right) - R4 \quad (5)$$

See Table 2 for typical resistor values:

Table 2. Typical Resistor Values

OUTPUT VOLTAGE	R3	R4	NOMINAL VOLTAGE	Typical CFF
3.3 V	680 kΩ	150 kΩ	3.32 V	47 pF
3 V	510 kΩ	130 kΩ	2.95 V	47 pF
2.85 V	560 kΩ	150 kΩ	2.84 V	47 pF
2.5 V	510 kΩ	160 kΩ	2.51 V	47 pF
1.8 V	300 kΩ	150 kΩ	1.8 V	47 pF
1.6 V	200 kΩ	120 kΩ	1.6 V	47 pF
1.5 V	300 kΩ	200 kΩ	1.5 V	47 pF
1.2 V	330 kΩ	330 kΩ	1.2 V	47 pF

8.2.2.2 Output Filter Design (Inductor and Output Capacitor)

8.2.2.2.1 Inductor Selection

The two converters operate with a 2.2- μH output inductor. A designer can use larger or smaller inductor values to optimize the performance of the device for specific operation conditions. The selected inductor must be rated for its dc resistance and saturation current. The dc resistance of the inductance directly influences the efficiency of the converters. Therefore, select an inductor with lowest dc resistance for highest efficiency. The minimum inductor value is 1.5 μH , but the circuit requires an output capacitor of 22 μF minimum in this case. For an output voltage above 2.8 V, TI recommends an inductor value of 3.3 μH minimum. Lower values result in an increased output-voltage ripple in PFM mode.

Equation 6 calculates the maximum inductor current under static load conditions. The saturation-current rating of the inductor should be higher than the maximum inductor current as calculated with Equation 6. This recommendation is because during heavy load transient the inductor current rises above the calculated value.

$$\Delta I_L = V_O \times \frac{1 - \frac{V_O}{V_I}}{L \times f} \quad I_L(\text{max}) = I_O(\text{max}) + \frac{\Delta I_L}{2}$$

where

- f = Switching frequency (2.25-MHz typical)
 - L = Inductor value
 - ΔI_L = Peak-to-peak inductor ripple current
 - $I_{L\text{max}}$ = Maximum inductor current
- (6)

The highest inductor current occurs at maximum V_I . Open-core inductors have a soft saturation characteristic, and they can normally handle higher inductor currents versus a comparable shielded inductor.

A more-conservative approach is to select the inductor current rating just for the maximum switch current of the corresponding converter. Give consideration to the difference in the core material from inductor to inductor, which has an impact on the efficiency, especially at high switching frequencies. See Table 3 and the typical applications for possible inductors.

Table 3. Tested Inductors

INDUCTOR TYPE	INDUCTOR VALUE	SUPPLIER
LPS3010	2.2 μH	Coilcraft
LPS3015	3.3 μH	Coilcraft
LPS4012	2.2 μH	Coilcraft
VLF4012	2.2 μH	TDK

8.2.2.2.2 Output-Capacitor Selection

The advanced fast-response voltage-mode control scheme of the two converters allows the use of small ceramic capacitors with a value of 22- μF (typical), without having large output-voltage undershoots and overshoots during heavy load transients. TI recommends ceramic capacitors having low ESR values, which result in the lowest output-voltage ripple.

If ceramic output capacitors are used, the capacitor RMS ripple current rating always meets the application requirements. For completeness, the RMS ripple current is calculated as:

$$I_{(\text{RMS}C_{\text{out}})} = V_O \times \frac{1 - \frac{V_O}{V_I}}{L \times f} \times \frac{1}{2 \times \sqrt{3}}$$
(7)

At nominal load current, the inductive converters operate in PWM mode, and the overall output voltage ripple is the sum of the voltage spike caused by the output-capacitor ESR plus the voltage ripple caused by charging and discharging the output capacitor:

$$\Delta V_O = V_O \times \frac{1 - \frac{V_O}{V_I}}{L \times f} \times \left(\frac{1}{8 \times C_O \times f} + \text{ESR} \right) \quad (8)$$

where the highest output voltage ripple occurs at the highest input voltage V_I .

At light load currents, the converters operate in power-save mode and the output-voltage ripple depends on the output-capacitor value. The internal comparator delay and the external capacitor set the output-voltage ripple. The typical output-voltage ripple is less than 1% of the nominal output voltage.

8.2.2.3 Input-Capacitor Selection

The nature of the buck converters having a pulsating input current requires a low-ESR input capacitor for best input-voltage filtering and minimizing the interference with other circuits caused by high input-voltage spikes. The converters require a ceramic input capacitor of 10 μF . Increase the input capacitor as desired for better input-voltage filtering, without any limit.

Table 4. Possible Capacitors

CAPACITOR VALUE	SIZE	SUPPLIER	TYPE
2.2 μF	0805	TDK C2012X5R0J226MT	Ceramic
2.2 μF	0805	Taiyo Yuden JMK212BJ226MG	Ceramic
10 μF	0805	Taiyo Yuden JMK212BJ106M	Ceramic
10 μF	0805	TDK C2012X5R0J106M	Ceramic
10 μF	0603	Taiyo Yuden JMK107BJ106MA	Ceramic

8.2.2.3 Low-Dropout Voltage Regulators (LDOs)

An external resistor network sets the output voltage of all four LDOs. Calculate the output voltage using Equation 9:

$$V_O = V_{\text{ref}} \times \left(1 + \frac{R5}{R6} \right)$$

where

- the internal reference voltage, V_{ref} , is 1 V (typical). (9)

TI recommends setting the total resistance of $R5 + R6$ to less than 1 M Ω . Typically, there is no feedforward capacitor needed at the voltage dividers for the LDOs.

$$V_O = V_{(\text{FB_LDOs})} \times \frac{R5 + R6}{R6} \quad R5 = R6 \times \left(\frac{V_O}{V_{(\text{FB_LDOs})}} \right) - R6 \quad (10)$$

Typical resistor values:

Table 5. Typical Resistor Values

OUTPUT VOLTAGE	R5	R6	NOMINAL VOLTAGE
3.3 V	300 k Ω	130 k Ω	3.31 V
3 V	300 k Ω	150 k Ω	3 V
2.85 V	240 k Ω	130 k Ω	2.85 V
2.8 V	360 k Ω	200 k Ω	2.8 V
2.5 V	300 k Ω	200 k Ω	2.5 V
1.8 V	240 k Ω	300 k Ω	1.8 V
1.5 V	150 k Ω	300 k Ω	1.5 V
1.3 V	36 k Ω	120 k Ω	1.3 V
1.2 V	100 k Ω	510 k Ω	1.19 V
1.1 V	33 k Ω	330 k Ω	1.1 V

8.2.2.4 $\overline{\text{RESET}}$

The device contains a comparator for supervising a voltage connected to an external voltage divider, and generating a reset signal if the voltage is lower than the threshold. The rising-edge delay is 100 ms at the open-drain $\overline{\text{RESET}}$ output. Calculate the values for the external resistors R13 to R15 as follows:

V_L = lower voltage threshold

V_H = higher voltage threshold

V_{REF} = reference voltage (1 V)

Example:

- $V_L = 3.3 \text{ V}$
- $V_H = 3.4 \text{ V}$

Set $R_{15} = 100 \text{ k}\Omega$

→ $R_{13} + R_{14} = 240 \text{ k}\Omega$

→ $R_{14} = 3.03 \text{ k}\Omega$

→ $R_{13} = 237 \text{ k}\Omega$

$$R_{13} + R_{14} = R_{15} \times \left(\frac{V_H}{V_{\text{ref}}} - 1 \right)$$

$$R_{14} = R_{15} \times \frac{V_H - V_L}{V_L}$$

(11)

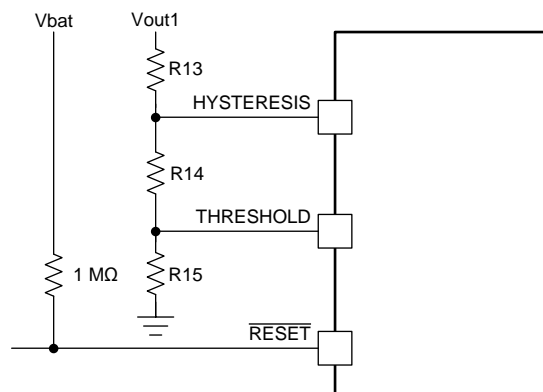


Figure 11. $\overline{\text{RESET}}$ Circuit

8.2.3 Application Curves

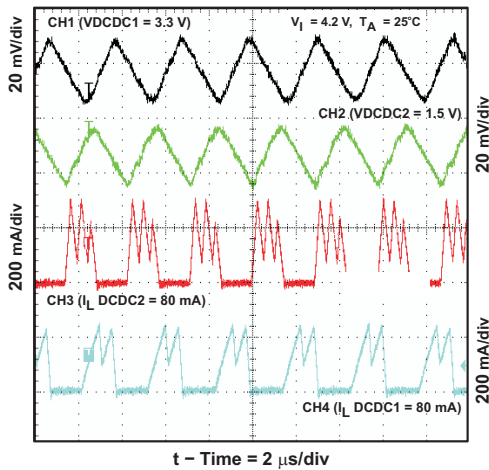


Figure 12. Output Voltage Ripple PWM or PFM MODE = LOW

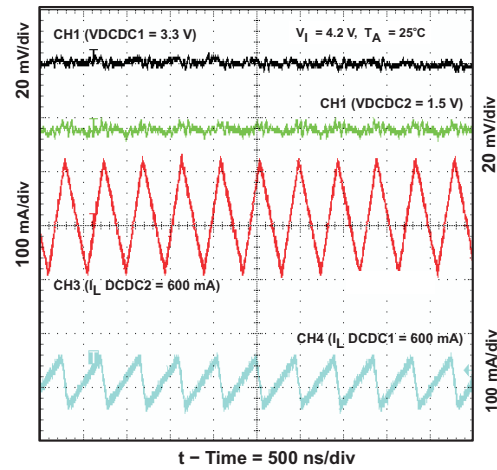


Figure 13. Output Voltage Ripple PWM MODE = HIGH

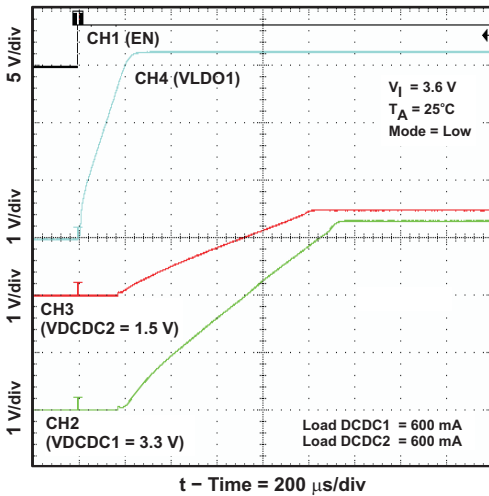


Figure 14. DCDC1 Startup Timing

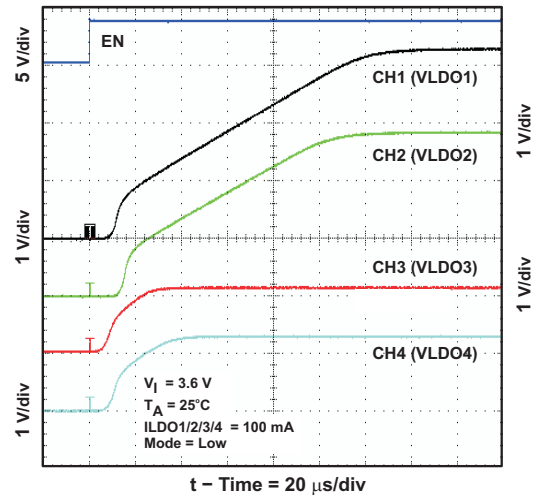


Figure 15. LDO1 to LDO4 Startup Timing

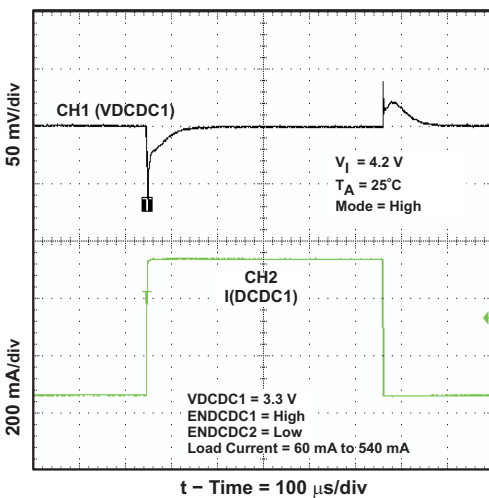


Figure 16. DCDC1 Load Transient Response

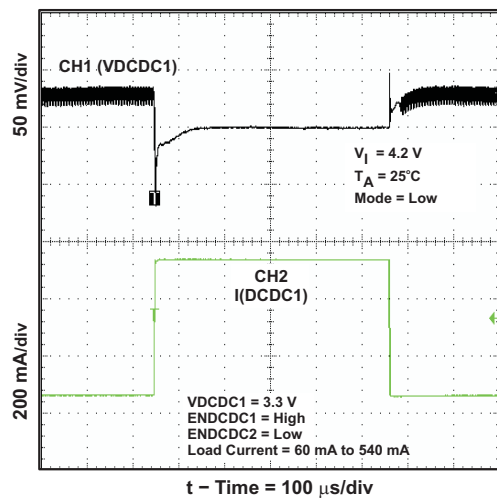


Figure 17. DCDC1 Load Transient Response

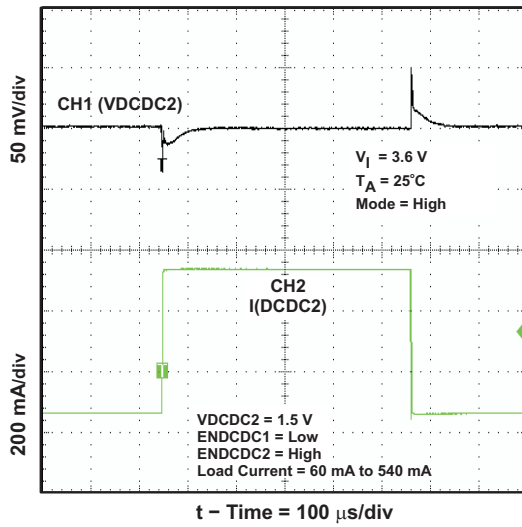


Figure 18. DCDC2 Load Transient Response

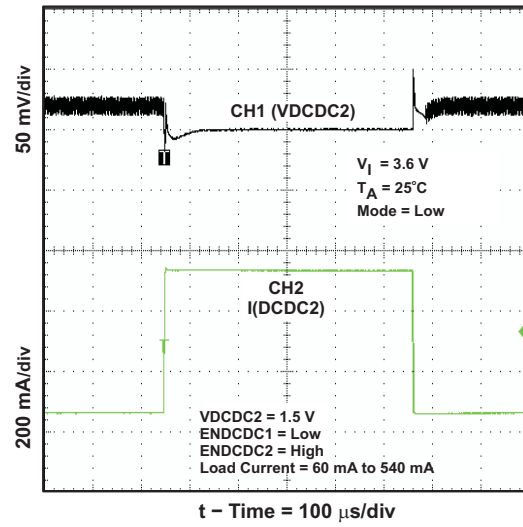


Figure 19. DCDC2 Load Transient Response

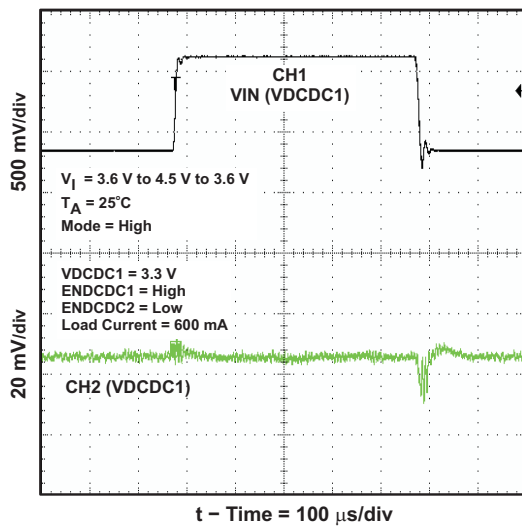


Figure 20. DCDC1 Line Transient Response

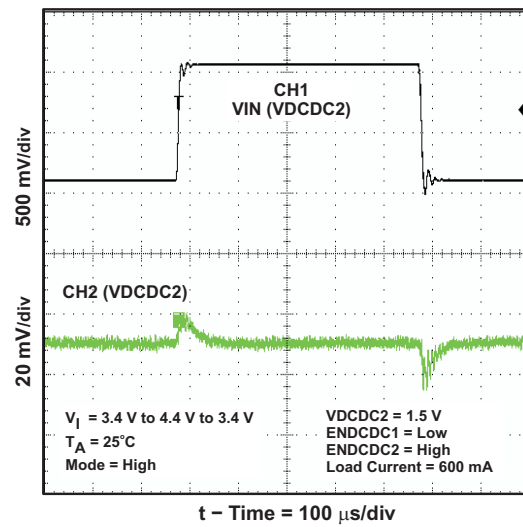


Figure 21. DCDC2 Line Transient Response

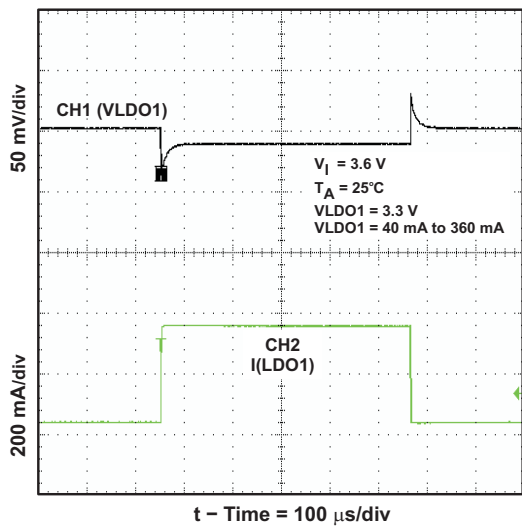


Figure 22. LDO1 Load Transient Response

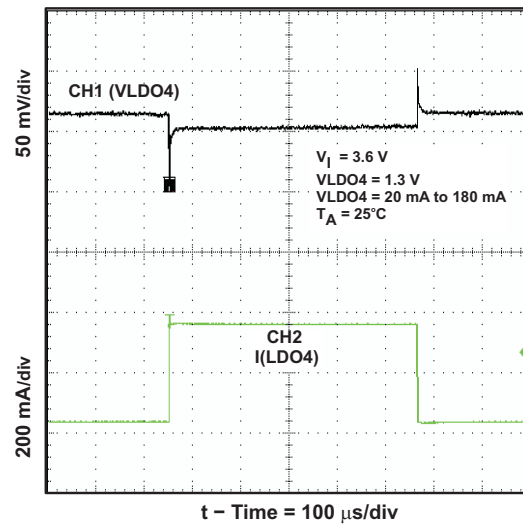
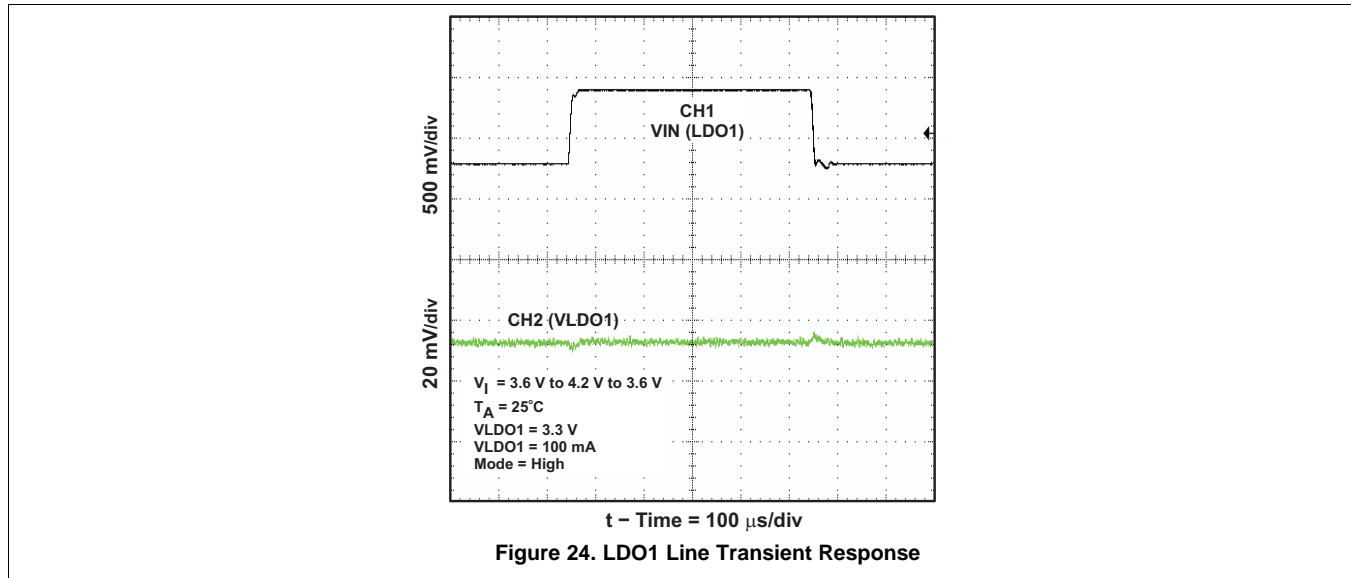


Figure 23. LDO4 Load Transient Response



9 Power Supply Recommendations

In addition to the values listed in the [Recommended Operating Conditions](#) table, additional recommendations for the power supply are as follows:

- 1- μ F bypass capacitor on V_{CC} , located as close as possible to the V_{CC} pin to ground.
- V_{CC} and VINDCDC1/2 must be connected to the same voltage supply with minimal voltage difference.
- Input capacitors must be present on the VINDCDC1/2, VIN_LDO1, VINLDO2, and VIN_LDO3/4 supplies if used.
- Output inductor and capacitors must be used on the outputs of the DC-DC converters if used.
- Output capacitors must be used on the outputs of the LDOs if used.

10 Layout

10.1 Layout Guidelines

- The input capacitors for the DC-DC converters should be placed as close as possible to the VINDCDC1/2 pin and the PGND1 and PGND2 pins.
- The inductor of the output filter should be placed as close as possible to the device to provide the shortest switch node possible, reducing the noise emitted into the system and increasing the efficiency.
- Sense the feedback voltage from the output at the output capacitors to ensure the best DC accuracy. Feedback should be routed away from noisy sources such as the inductor. If possible route on the opposing side as the switch node and inductor and place a GND plane between the feedback and the noisy sources or keep out underneath them entirely.
- Place the output capacitors as close as possible to the inductor to reduce the feedback loop as much as possible. This will ensure best regulation at the feedback point.
- Place the device as close as possible to the most demanding or sensitive load. The output capacitors should be placed close to the input of the load. This will ensure the best AC performance possible.
- The input and output capacitors for the LDOs should be placed close to the device for best regulation performance.
- TI recommends using the common ground plane for the layout of this device. The AGND can be separated from the PGND but, a large low parasitic PGND is required to connect the PGNDx pins to the CIN and external PGND connections. If the AGND and PGND planes are separated, have one connection point to reference the grounds together. Place this connection point close to the IC.

10.2 Layout Example

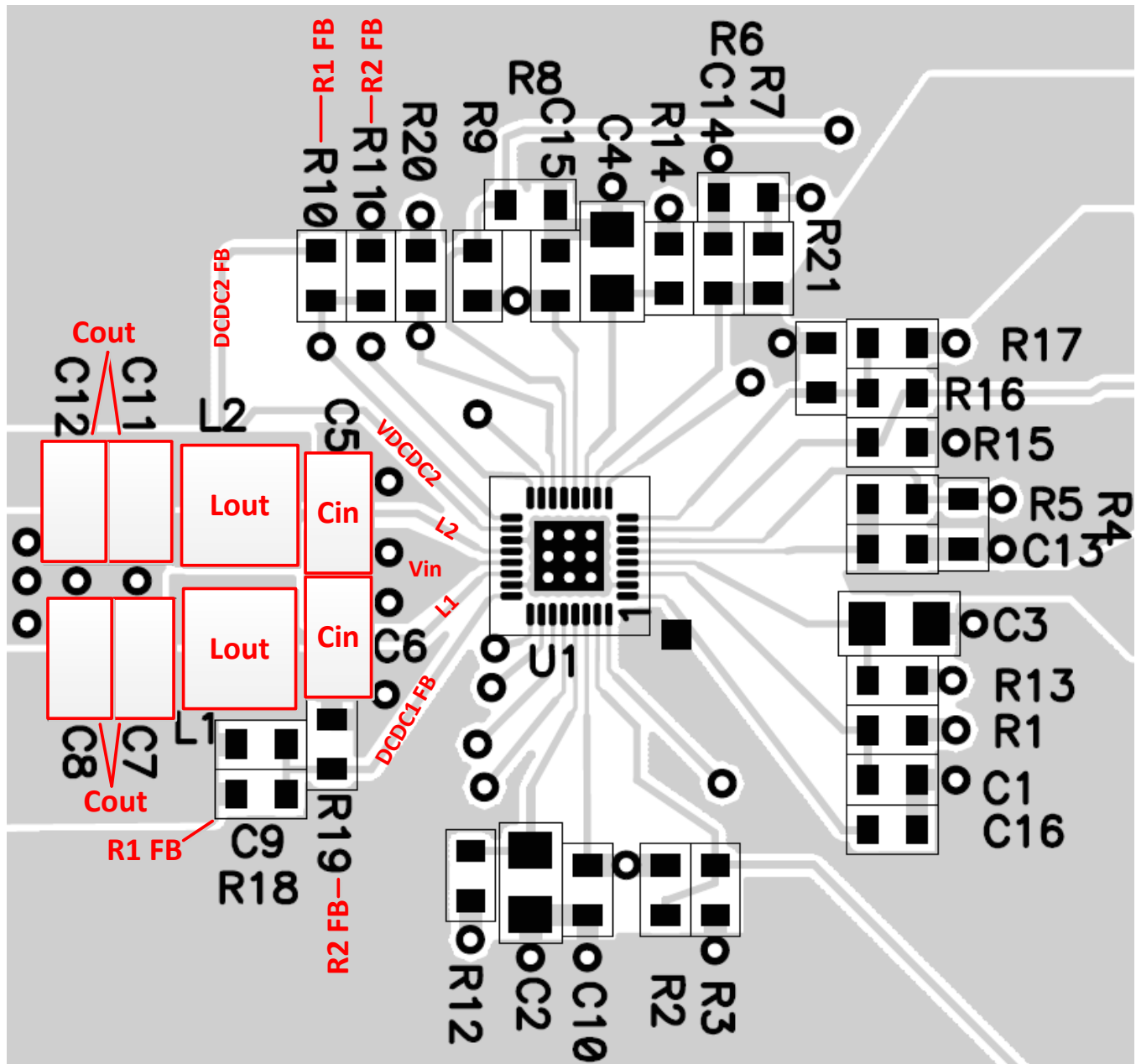


Figure 25. Layout Example from EVM for TPS65051-Q1

11 器件和文档支持

11.1 接收文档更新通知

要接收文档更新通知，请导航至德州仪器 TI.com.cn 上的器件产品文件夹。请单击右上角的 *通知我* 进行注册，即可收到任意产品信息更改每周摘要。有关更改的详细信息，请查看任意已修订文档中包含的修订历史记录。

11.2 社区资源

下列链接提供到 TI 社区资源的连接。链接的内容由各个分销商“按照原样”提供。这些内容并不构成 TI 技术规范，并且不一定反映 TI 的观点；请参阅 TI 的《使用条款》。

TI E2E™ 在线社区 *TI 的工程师对工程师 (E2E) 社区*。此社区的创建目的在于促进工程师之间的协作。在 e2e.ti.com 中，您可以咨询问题、分享知识、拓展思路并与同行工程师一道帮助解决问题。

设计支持 *TI 参考设计支持* 可帮助您快速查找有帮助的 E2E 论坛、设计支持工具以及技术支持的联系信息。

11.3 商标

E2E is a trademark of Texas Instruments.

All other trademarks are the property of their respective owners.

11.4 静电放电警告



ESD 可能会损坏该集成电路。德州仪器 (TI) 建议通过适当的预防措施处理所有集成电路。如果不遵守正确的处理措施和安装程序，可能会损坏集成电路。

ESD 的损坏小至导致微小的性能降级，大至整个器件故障。精密的集成电路可能更容易受到损坏，这是因为非常细微的参数更改都可能会导致器件与其发布的规格不相符。

11.5 Glossary

SLYZ022 — *TI Glossary*.

This glossary lists and explains terms, acronyms, and definitions.

12 机械、封装和可订购信息

以下页面包括机械、封装和可订购信息。这些信息是指定器件的最新可用数据。这些数据发生变化时，我们可能不会另行通知或修订此文档。如欲获取此产品说明书的浏览器版本，请参阅左侧的导航栏。

PACKAGING INFORMATION

Orderable Device	Status (1)	Package Type	Package Drawing	Pins	Package Qty	Eco Plan (2)	Lead finish/ Ball material (6)	MSL Peak Temp (3)	Op Temp (°C)	Device Marking (4/5)	Samples
TPS65051QRSMRQ1	ACTIVE	VQFN	RSM	32	3000	RoHS & Green	NIPDAU	Level-3-260C-168 HR	-40 to 125	TPS 65051Q	Samples

(1) The marketing status values are defined as follows:

ACTIVE: Product device recommended for new designs.

LIFEBUY: TI has announced that the device will be discontinued, and a lifetime-buy period is in effect.

NRND: Not recommended for new designs. Device is in production to support existing customers, but TI does not recommend using this part in a new design.

PREVIEW: Device has been announced but is not in production. Samples may or may not be available.

OBSOLETE: TI has discontinued the production of the device.

(2) **RoHS:** TI defines "RoHS" to mean semiconductor products that are compliant with the current EU RoHS requirements for all 10 RoHS substances, including the requirement that RoHS substance do not exceed 0.1% by weight in homogeneous materials. Where designed to be soldered at high temperatures, "RoHS" products are suitable for use in specified lead-free processes. TI may reference these types of products as "Pb-Free".

RoHS Exempt: TI defines "RoHS Exempt" to mean products that contain lead but are compliant with EU RoHS pursuant to a specific EU RoHS exemption.

Green: TI defines "Green" to mean the content of Chlorine (Cl) and Bromine (Br) based flame retardants meet JS709B low halogen requirements of <=100ppm threshold. Antimony trioxide based flame retardants must also meet the <=1000ppm threshold requirement.

(3) MSL, Peak Temp. - The Moisture Sensitivity Level rating according to the JEDEC industry standard classifications, and peak solder temperature.

(4) There may be additional marking, which relates to the logo, the lot trace code information, or the environmental category on the device.

(5) Multiple Device Markings will be inside parentheses. Only one Device Marking contained in parentheses and separated by a "~" will appear on a device. If a line is indented then it is a continuation of the previous line and the two combined represent the entire Device Marking for that device.

(6) Lead finish/Ball material - Orderable Devices may have multiple material finish options. Finish options are separated by a vertical ruled line. Lead finish/Ball material values may wrap to two lines if the finish value exceeds the maximum column width.

Important Information and Disclaimer:The information provided on this page represents TI's knowledge and belief as of the date that it is provided. TI bases its knowledge and belief on information provided by third parties, and makes no representation or warranty as to the accuracy of such information. Efforts are underway to better integrate information from third parties. TI has taken and continues to take reasonable steps to provide representative and accurate information but may not have conducted destructive testing or chemical analysis on incoming materials and chemicals. TI and TI suppliers consider certain information to be proprietary, and thus CAS numbers and other limited information may not be available for release.

In no event shall TI's liability arising out of such information exceed the total purchase price of the TI part(s) at issue in this document sold by TI to Customer on an annual basis.

TAPE AND REEL INFORMATION

QUADRANT ASSIGNMENTS FOR PIN 1 ORIENTATION IN TAPE


*All dimensions are nominal

Device	Package Type	Package Drawing	Pins	SPQ	Reel Diameter (mm)	Reel Width W1 (mm)	A0 (mm)	B0 (mm)	K0 (mm)	P1 (mm)	W (mm)	Pin1 Quadrant
TPS65051QRSRQ1	VQFN	RSM	32	3000	330.0	12.4	4.25	4.25	1.15	8.0	12.0	Q2

TAPE AND REEL BOX DIMENSIONS


*All dimensions are nominal

Device	Package Type	Package Drawing	Pins	SPQ	Length (mm)	Width (mm)	Height (mm)
TPS65051QRSRQ1	VQFN	RSM	32	3000	356.0	356.0	35.0

GENERIC PACKAGE VIEW

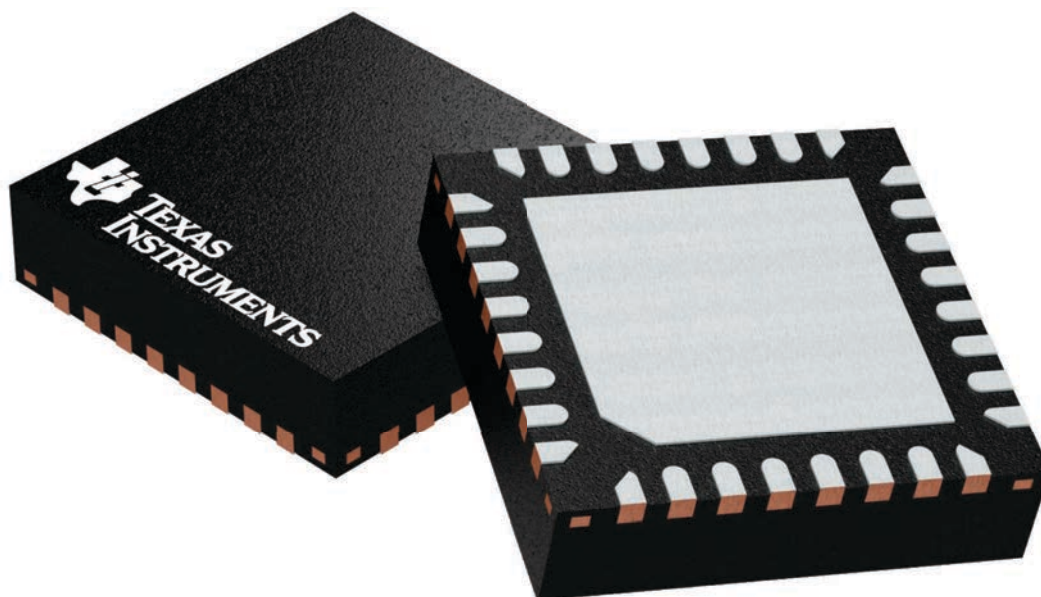
RSM 32

VQFN - 1 mm max height

4 x 4, 0.4 mm pitch

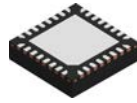
PLASTIC QUAD FLATPACK - NO LEAD

This image is a representation of the package family, actual package may vary.
Refer to the product data sheet for package details.



4224982/A

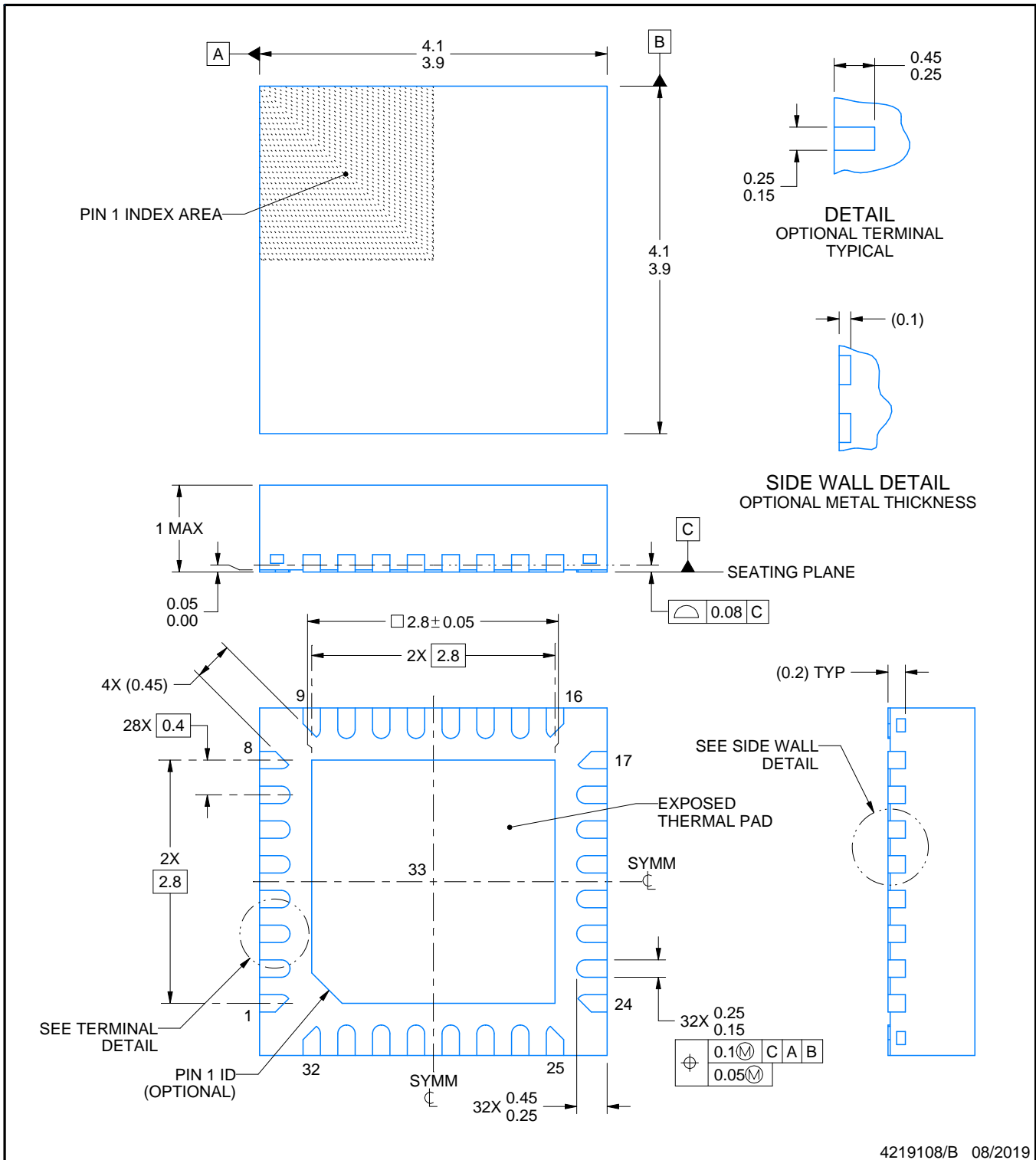
RSM0032B



PACKAGE OUTLINE

VQFN - 1 mm max height

PLASTIC QUAD FLATPACK - NO LEAD



NOTES:

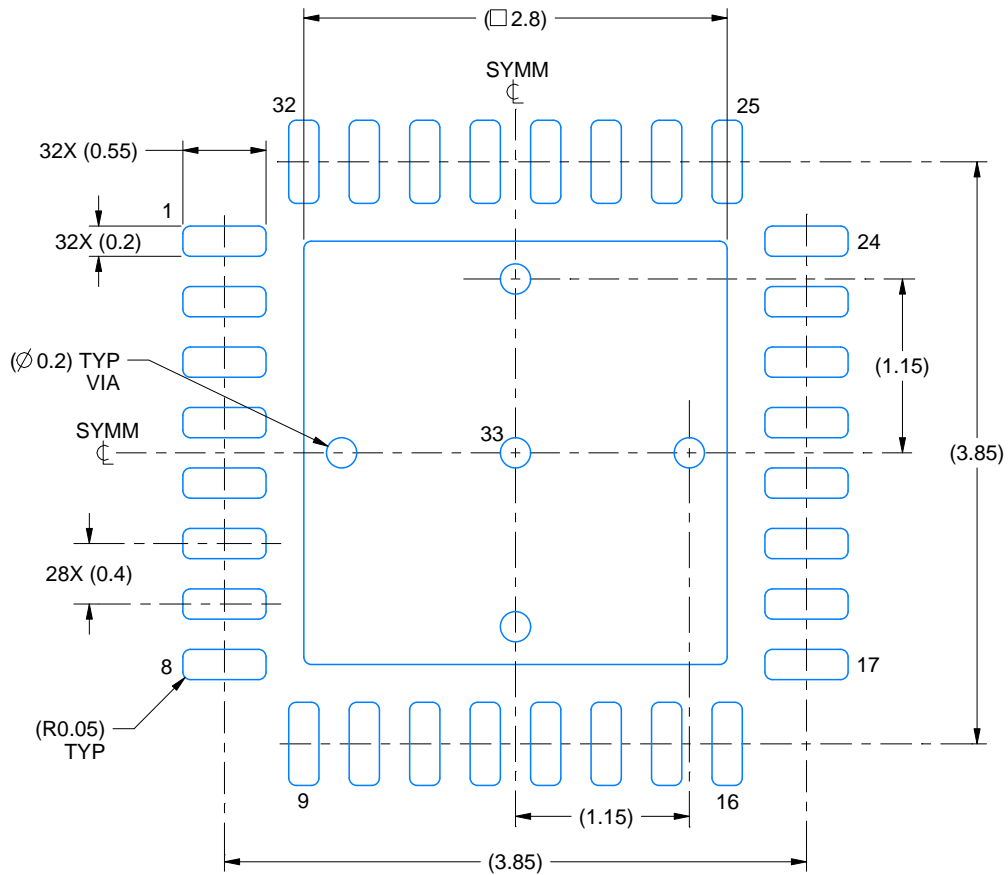
1. All linear dimensions are in millimeters. Any dimensions in parenthesis are for reference only. Dimensioning and tolerancing per ASME Y14.5M.
2. This drawing is subject to change without notice.
3. The package thermal pad must be soldered to the printed circuit board for thermal and mechanical performance.

EXAMPLE BOARD LAYOUT

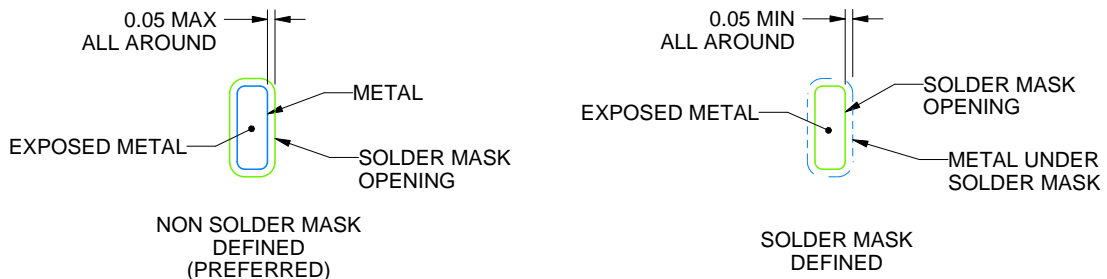
RSM0032B

VQFN - 1 mm max height

PLASTIC QUAD FLATPACK - NO LEAD



LAND PATTERN EXAMPLE
EXPOSED METAL SHOWN
SCALE:20X



SOLDER MASK DETAILS

4219108/B 08/2019

NOTES: (continued)

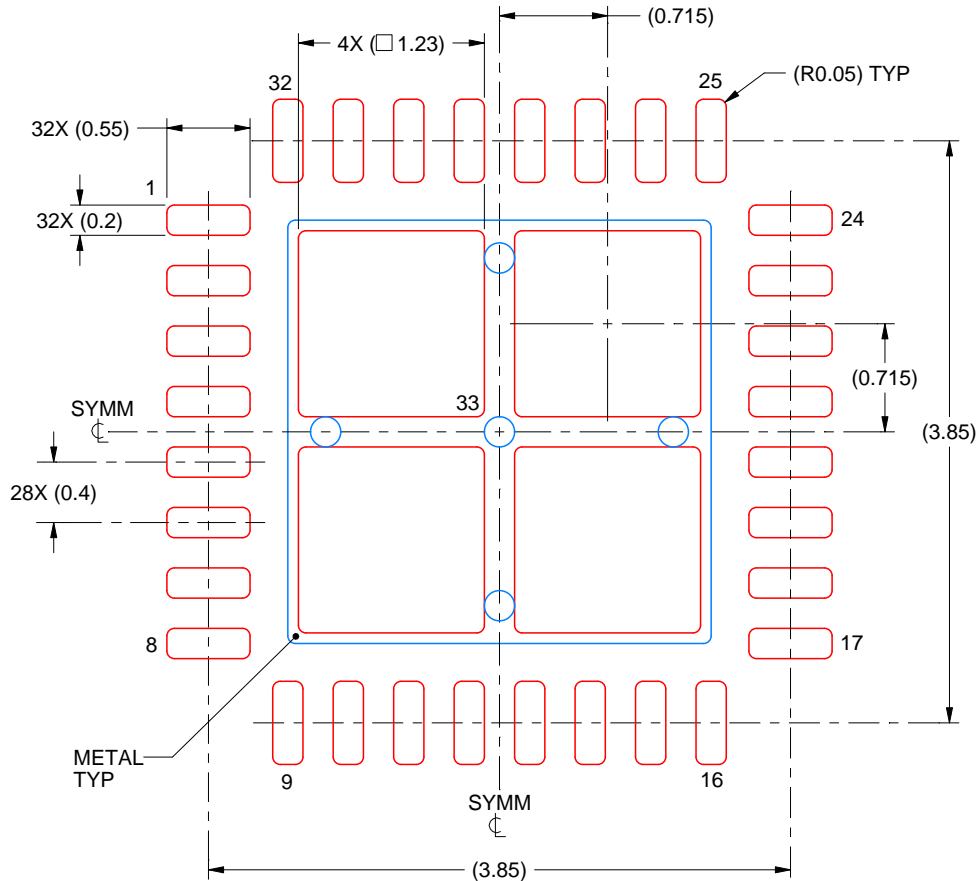
4. This package is designed to be soldered to a thermal pad on the board. For more information, see Texas Instruments literature number SLUA271 (www.ti.com/lit/slue271).
5. Vias are optional depending on application, refer to device data sheet. If any vias are implemented, refer to their locations shown on this view. It is recommended that vias under paste be filled, plugged or tented.

EXAMPLE STENCIL DESIGN

RSM0032B

VQFN - 1 mm max height

PLASTIC QUAD FLATPACK - NO LEAD



SOLDER PASTE EXAMPLE
BASED ON 0.1 mm THICK STENCIL

EXPOSED PAD 33:
77% PRINTED SOLDER COVERAGE BY AREA UNDER PACKAGE
SCALE:20X

4219108/B 08/2019

NOTES: (continued)

6. Laser cutting apertures with trapezoidal walls and rounded corners may offer better paste release. IPC-7525 may have alternate design recommendations.

重要声明和免责声明

TI“按原样”提供技术和可靠性数据（包括数据表）、设计资源（包括参考设计）、应用或其他设计建议、网络工具、安全信息和其他资源，不保证没有瑕疵且不做任何明示或暗示的担保，包括但不限于对适销性、某特定用途方面的适用性或不侵犯任何第三方知识产权的暗示担保。

这些资源可供使用 TI 产品进行设计的熟练开发人员使用。您将自行承担以下全部责任：(1) 针对您的应用选择合适的 TI 产品，(2) 设计、验证并测试您的应用，(3) 确保您的应用满足相应标准以及任何其他功能安全、信息安全、监管或其他要求。

这些资源如有变更，恕不另行通知。TI 授权您仅可将这些资源用于研发本资源所述的 TI 产品的应用。严禁对这些资源进行其他复制或展示。您无权使用任何其他 TI 知识产权或任何第三方知识产权。您应全额赔偿因在这些资源的使用中对 TI 及其代表造成的任何索赔、损害、成本、损失和债务，TI 对此概不负责。

TI 提供的产品受 [TI 的销售条款](#) 或 [ti.com](#) 上其他适用条款/TI 产品随附的其他适用条款的约束。TI 提供这些资源并不会扩展或以其他方式更改 TI 针对 TI 产品发布的适用的担保或担保免责声明。

TI 反对并拒绝您可能提出的任何其他或不同的条款。

邮寄地址：Texas Instruments, Post Office Box 655303, Dallas, Texas 75265

Copyright © 2022，德州仪器 (TI) 公司